

VORON2 2.4R2 BUILD GUIDE

We build space shuttles with gardening tools
so anyone can have a space shuttle of their own.

VERSION 2022-05-08



Before you begin on your journey, a word of caution.

In the comfort of your own home you are about to assemble a robot. This machine can maim, burn, and electrocute you if you are not careful. Please do not become the first VORON fatality. There is no special Reddit flair for that.

Please, read the entire manual before you start assembly. As you begin wrenching, please check our Discord channels for any tips and questions that may halt your progress.

Most of all, good luck!

THE VORON TEAM

TABLE OF CONTENTS

WWW.VORONDESIGN.COM

Introduction	04	A/B Belts	124
Hardware	07	Afterburner	146
Frame	12	Electronics	176
Z Drives and Idlers	22	Controller	202
Build Plate	52	Wiring	208
A/B Drives and Idlers	62	Skirts	240
Gantry	82	Panels	268
Z Axis	108	Next Steps	289

PART PRINTING GUIDELINES

The Voron Team has provided the following print guidelines for you to follow in order to have the best chance at success with your parts. There are often questions about substituting materials or changing printing standards, but we recommend you follow these:

3D PRINTING PROCESS

Fused Deposition Modeling (FDM)

INFILL TYPE

Grid, Gyroid, Honeycomb, Triangle or Cubic

MATERIAL

ABS

INFILL PERCENTAGE

Recommended: 40%

LAYER HEIGHT

Recommended: 0.2mm

WALL COUNT

Recommended: 4

EXTRUSION WIDTH

Recommended: Forced 0.4mm

SOLID TOP/BOTTOM LAYERS

Recommended: 5

PRINT IT FORWARD (PIF)

Often times community members that have issues printing ABS will bootstrap themselves into a VORON using our Print It Forward program. This is a service where approved members with VORON printers can make you a functional set of parts to get your own machine up and running.

Check Discord if you have any interest in having someone help you out.

FILE NAMING

By this time you should have already downloaded our STL files from the Voron GitHub. You might have noticed that we have used a unique naming convention for the files. This is how to use them.

PRIMARY COLOR

Example `z_joint_lower_x4.stl`

These files will have nothing at the start of the filename.

ACCENT COLOR

Example `[a]_tensioner_left.stl`

We have added "[a]" to the front of any STL file that is intended to be printed with accent color.

QUANTITY REQUIRED

Example `[a]_z_belt_clip_lower_x4.stl`

If any file ends with "_x#", that is telling you the quantity of that part required to build the machine.

HOW TO GET HELP

If you need assistance with your build, we're here to help. Head on over to our Discord group and post your questions. This is our primary medium to help VORON Users and we have a great community that can help you out if you get stuck.



<https://discord.gg/voron>

REPORTING ISSUES

Should you find an issue in the documentation or have a suggestion for an improvement please consider opening an issue on GitHub (<https://github.com/VoronDesign/Voron-2/issues>). When raising an issue please include the relevant page numbers and a short description; annotated screenshots are also very welcome. We periodically update the manual based on the feedback we get.

THIS IS JUST A REFERENCE

This manual is designed to be a simple reference manual. Building a Voron can be a complex endeavour and for that reason we recommend downloading the CAD files off our Github repository if there are sections you need clarification on. It can sometimes be easier to follow along when you have the whole assembly in front of you.

The GitHub logo, consisting of the word "GitHub" in a bold, black, sans-serif font.

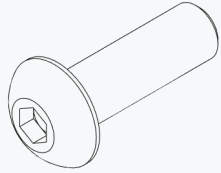
<https://github.com/vorondesign>

The Voron Docs logo, featuring three red diagonal slashes followed by the word "DOCS" in a bold, black, sans-serif font.

<https://docs.vorondesign.com/>

HARDWARE REFERENCE

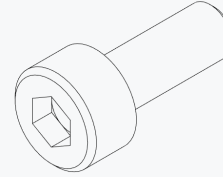
WWW.VORONDESIGN.COM



BUTTON HEAD CAP SCREW (BHCS)

Metric fastener with a domed shape head and hex drive. Most commonly found in locations where M5 fasteners are used.

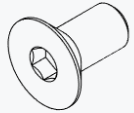
ISO 7380-1



SOCKET HEAD CAP SCREW (SHCS)

Metric fastener with a cylindrical head and hex drive. The most common fastener used on the Voron.

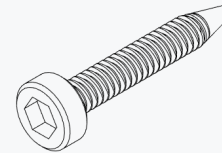
ISO 4762



FLAT HEAD COUNTERSUNK SCREW (FHCS)

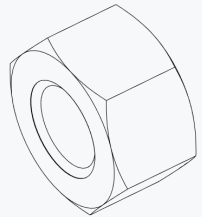
Metric fastener with a cone shaped head and a flat top.

ISO 10642



SELF TAPPING SCREW

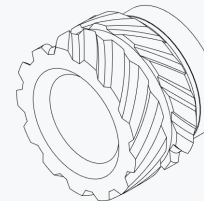
Fastener with a pronounced thread profile that is screwed directly into plastic.



HEX NUT

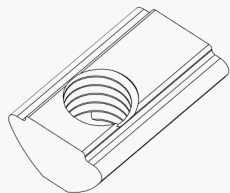
Hex nuts couple with bolts to create a tight, secure joint. You'll see these used in both M3 and M5 variants throughout this guide.

ISO 4032



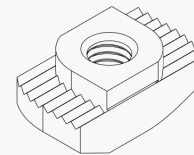
HEAT SET INSERT

Heat inserts with a soldering tip so that they melt the plastic when installed. As the plastic cools, it solidifies around the knurls and ridges on the insert for excellent resistance to both torque and pull-out.



POST INSTALL T-SLOT NUT (T-NUT)

Nut that can be inserted into the slot of an aluminium profile. Used in both M3 and M5 variants throughout this guide. Often also called "roll-in t-nut".

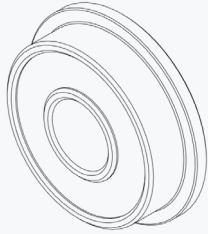


HAMMERHEAD NUT

Nut that can be inserted into the slot of an aluminium profile. Used exclusively for panel mounting, all other components use T-Slot nuts.

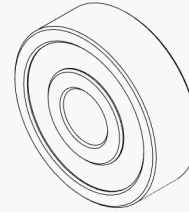
HARDWARE REFERENCE

WWW.VORONDESIGN.COM



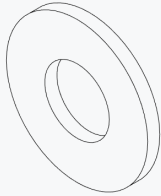
F695 BEARING

A ball bearing with a flange used in various gantry locations.



625 BEARING

A ball bearing used on the Voron Z drives.



SHIM

Not to be confused with stamped washers. These are used in all M5 call-out locations in this manual.

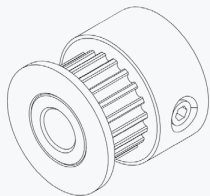
DIN 988



WASHER

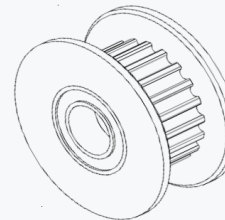
Usually stamped from sheet metal this type of spacer is not as consistent in thickness as the shims are. Only used in M3 size.

DIN 125



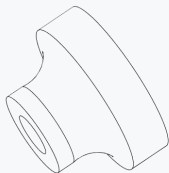
PULLEY

GT2 pulley used on the motion system of the Voron.



IDLER

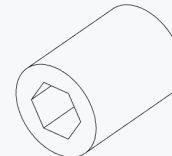
GT2 idler used in the motion system of the Voron.



THUMB NUT

Used in the print bed as a spacer.

DIN 466-B



SET SCREW

Small headless screw with an internal drive. Used in pulleys and other gears. Also called a grub screw.

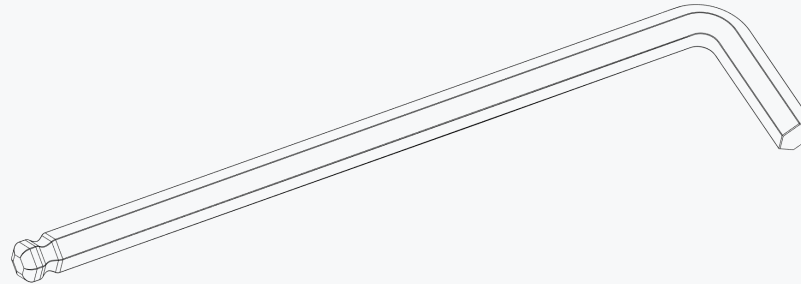
ISO 4026

INTRODUCTION

WWW.VORONDESIGN.COM

BALL-END DRIVER

Some parts of this design require the use of a ball-end hex driver for assembly. We recommend you get a 2.0mm, 2.5mm and 3mm one.



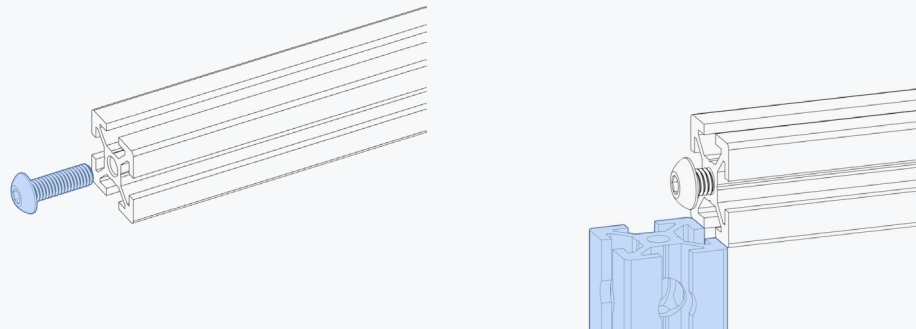
2.5MM HEX DRIVER

The 2.5mm hex driver will see a lot of use in this build. A quality driver is strongly recommended. Refer to the sourcing guide for suggestions.



ADDITIONAL TOOLS

We provide additional tool recommendations in our sourcing guide. Visit https://vorondesign.com/sourcing_guide and switch to the "Voron Tools" tab at the bottom of the page.

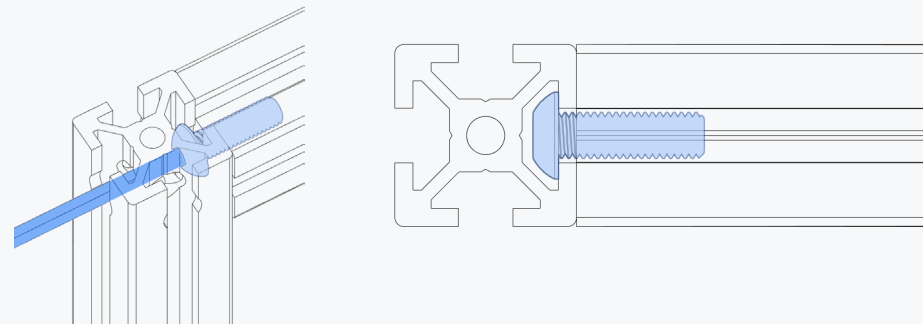


BLIND JOINT BASICS

Blind Joints provide a cost effective and rigid assembly method.

The head of the BHCS is slid into the channel of another extrusion and securely fastened through a small access hole in the extrusion.

If you've never assembled one before we recommend you watch the linked guide.



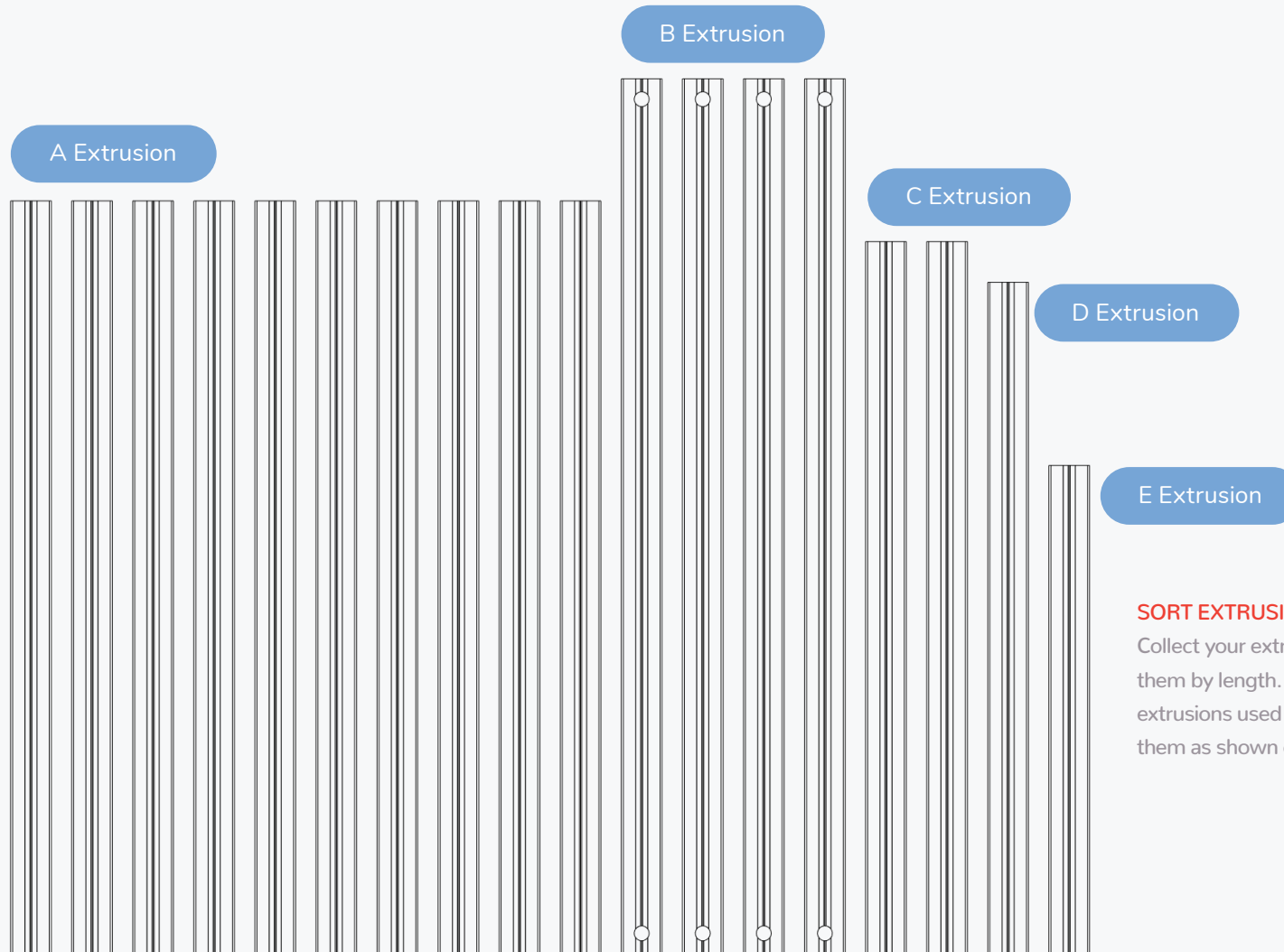
<https://voron.link/onjwmcd>

The first Voron printer was released to the public on March 10 2016.

FRAME

WWW.VORONDESIGN.COM



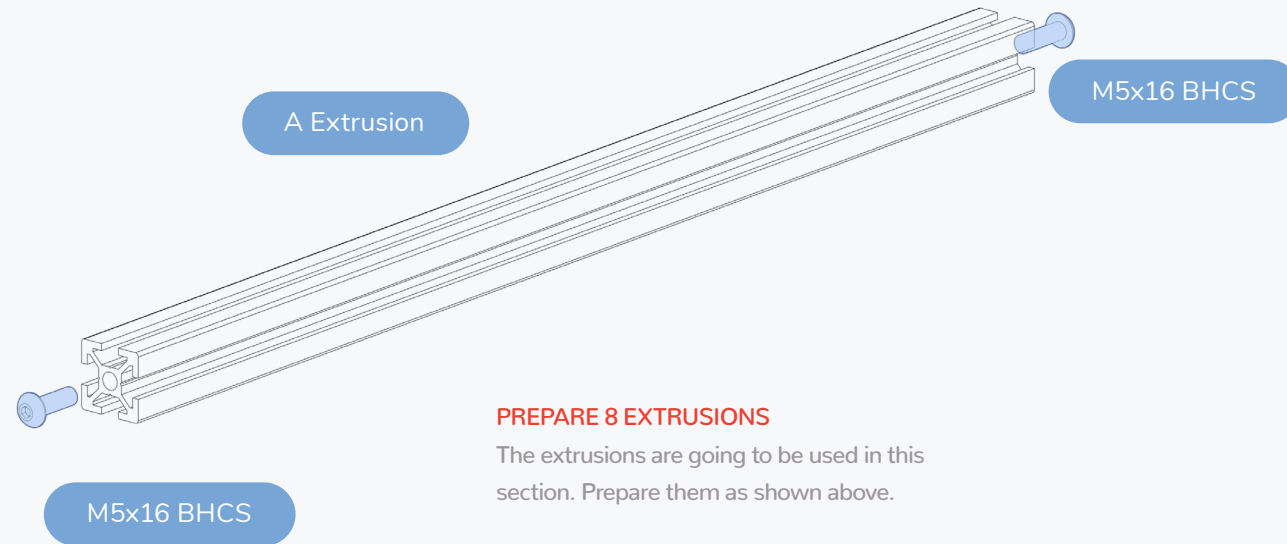
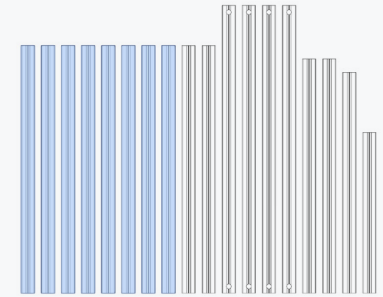


SORT EXTRUSIONS

Collect your extrusions and sort them by length. We will highlight the extrusions used in each step and label them as shown on this page.

FRAME

WWW.VORONDESIGN.COM



PREPARE 8 EXTRUSIONS

The extrusions are going to be used in this section. Prepare them as shown above.

FRAME

FRAME ASSEMBLY

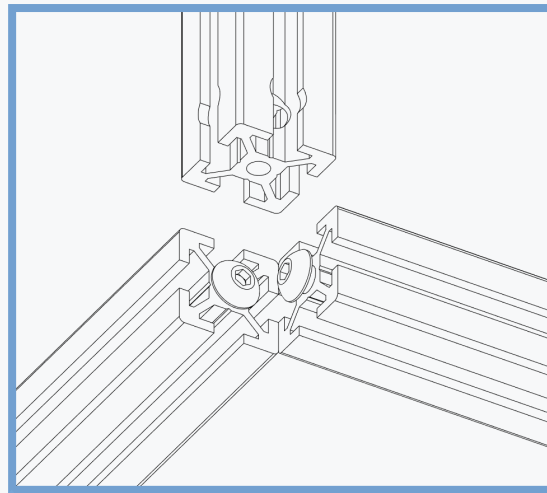
This design relies on blind joints to assemble the frame. We outlined the basics of blind joints on page 10.

More tips on how to assemble a frame are linked below.

B Extrusion



<https://voron.link/kdtpzam>

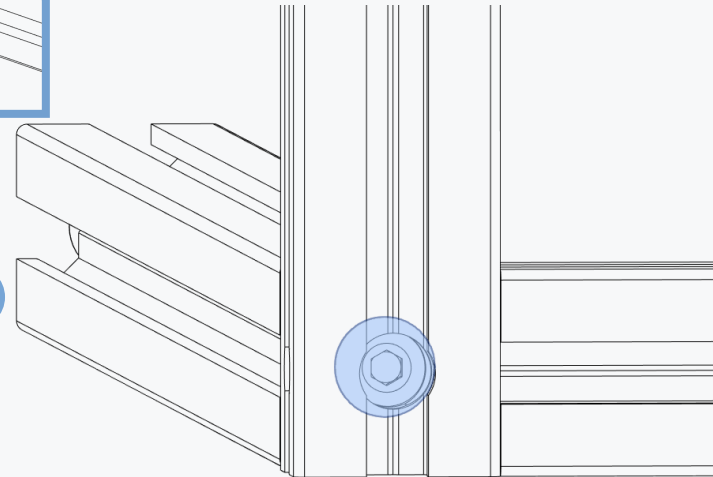
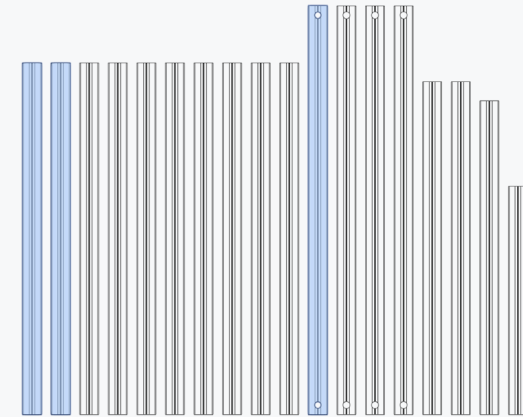


A Extrusion

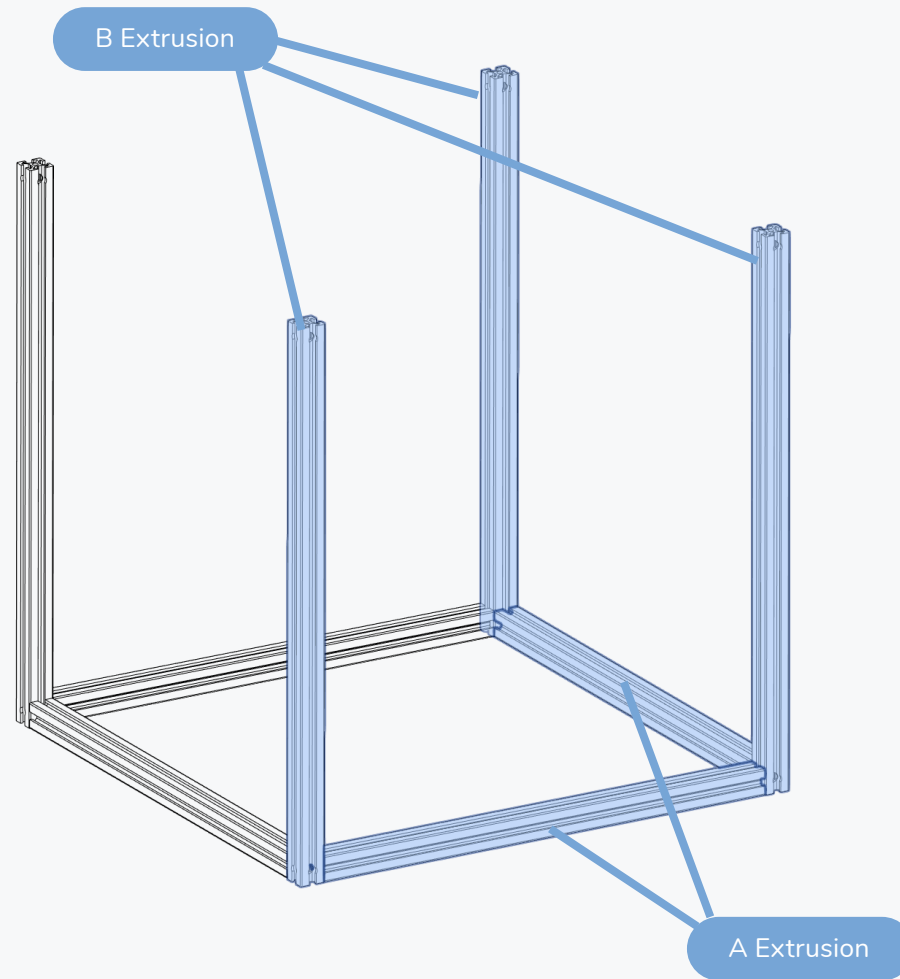
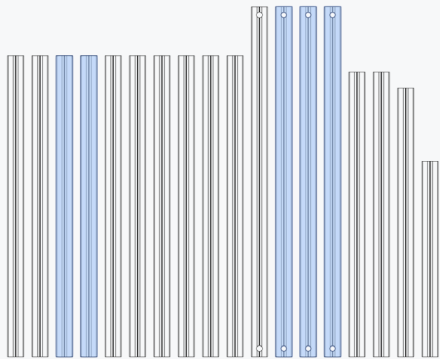
A Extrusion

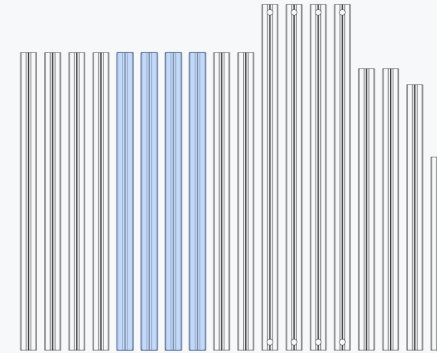
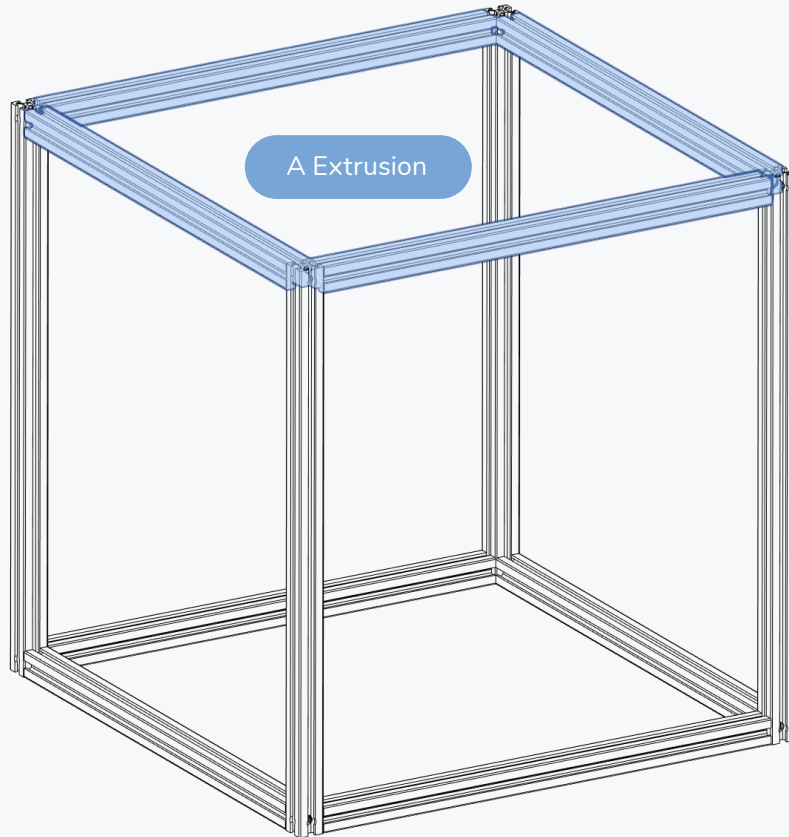
BUILD ON A FLAT SURFACE

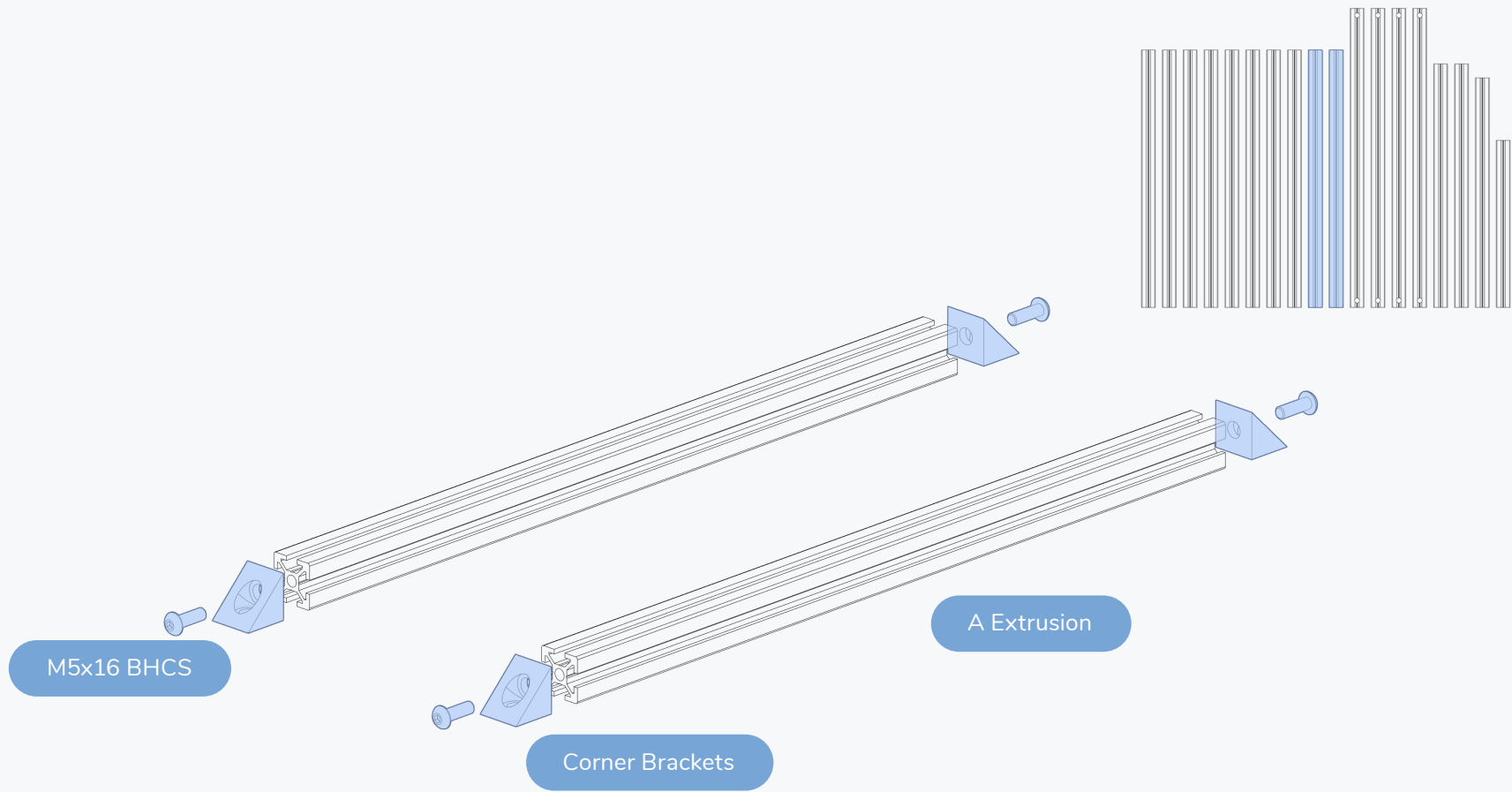
Build the frame on a glass or granite surface to ensure you can get it as square as possible.



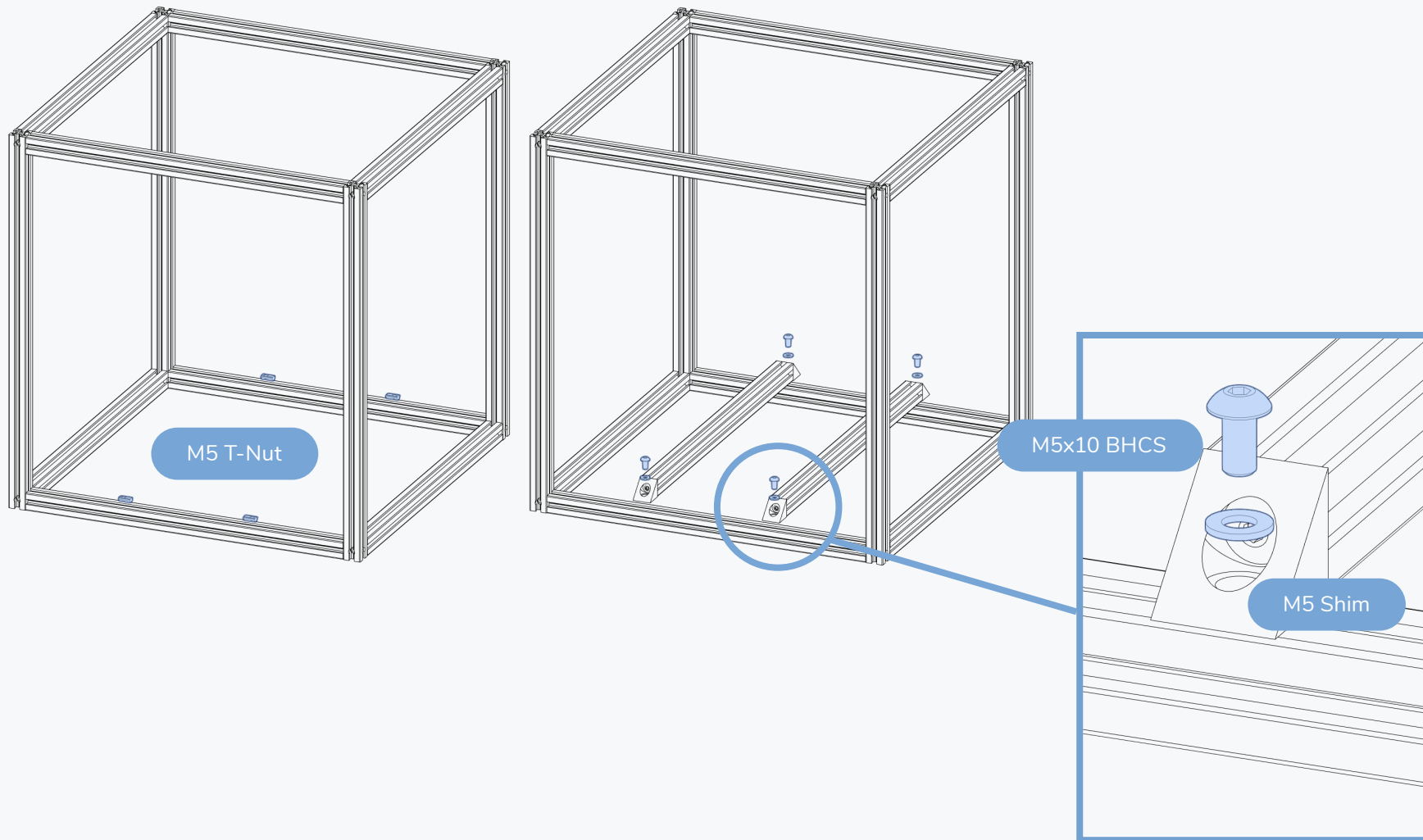
FRAME

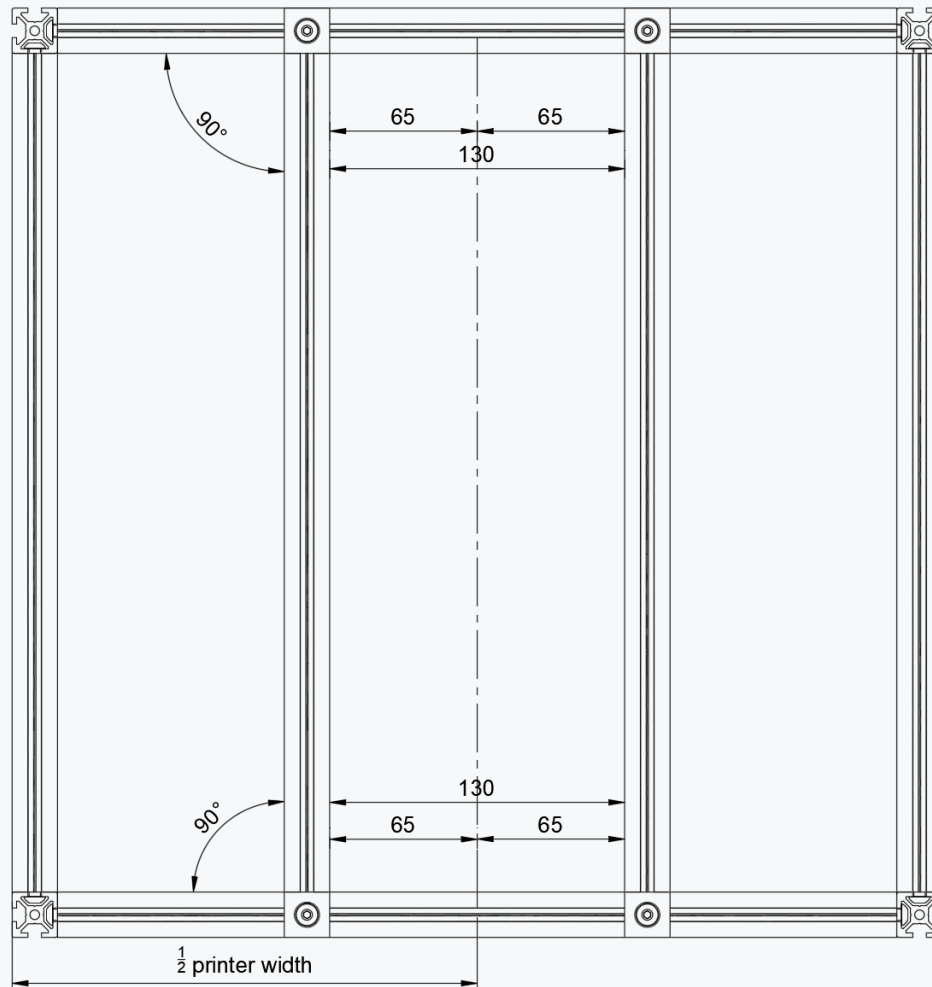






FRAME





POSITION BED EXTRUSIONS

Find the centreline of the printer and position the bed extrusions as shown in the diagram to the left. The distance between the extrusions is 130mm centred on the centreline of the printer.

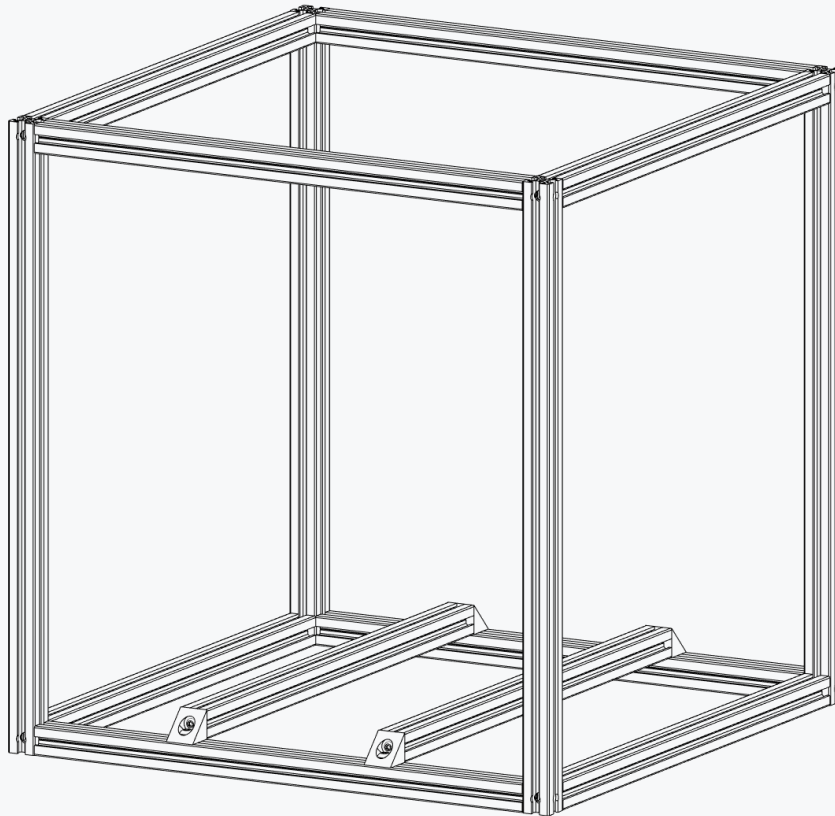
1/2 printer width for standard sizes:
 250 spec 205mm
 300 spec 230mm
 350 spec 255mm

ALL UNITS ARE METRIC

If a unit is not specified assume it's metric.
 All distances are called out in millimeters.

FRAME

WWW.VORONDESIGN.COM



CHECK FOR SQUARENESS

Verify the angle of all corners and the overall squareness by measuring the diagonals. Refer to the second half of the linked video for additional information.



<https://voron.link/kdtpzam>

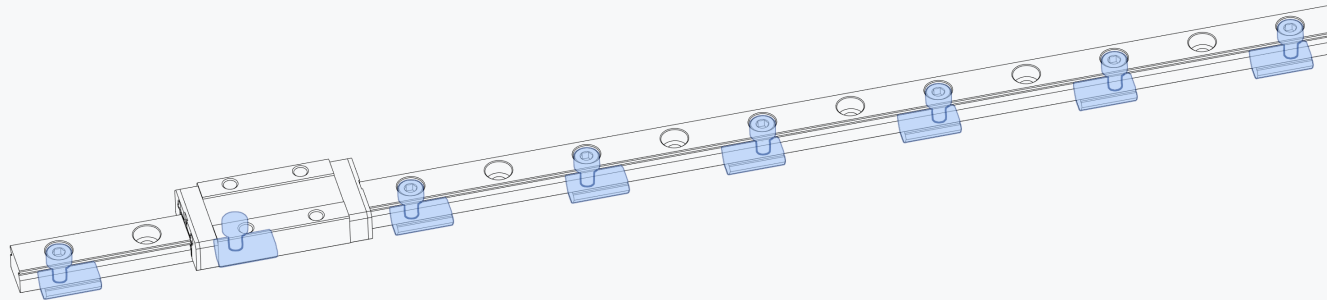
Z DRIVES

WWW.VORONDESIGN.COM



HANDLE WITH CARE

The carriage can slide off the rail if not handled properly. Dropping the carriage will likely damage it. Any marks, dents or nicks might cause the linear rail to misbehave in operation.



LINEAR RAILS - PREPARATION AND MOUNTING

Most linear rails arrive with shipping oil. To ensure a smooth gliding motion and long service life, this oil needs to be removed and its rail carriage greased. See the Voron sourcing guide for a recommended list of lubricants. We attached a link to a video guide to get you started.

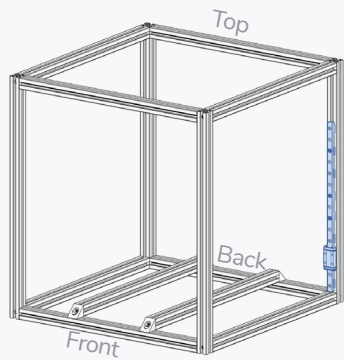
We opted to skip every other mounting hole in the linear rail when designing the mounting pattern for this printer. This cuts down on mounting hardware and still meets the requirements for our use case.

When tightening the bolts tighten them from the center outward to ensure that the rail sits flush on the extrusion.



<https://voron.link/agu0nes>

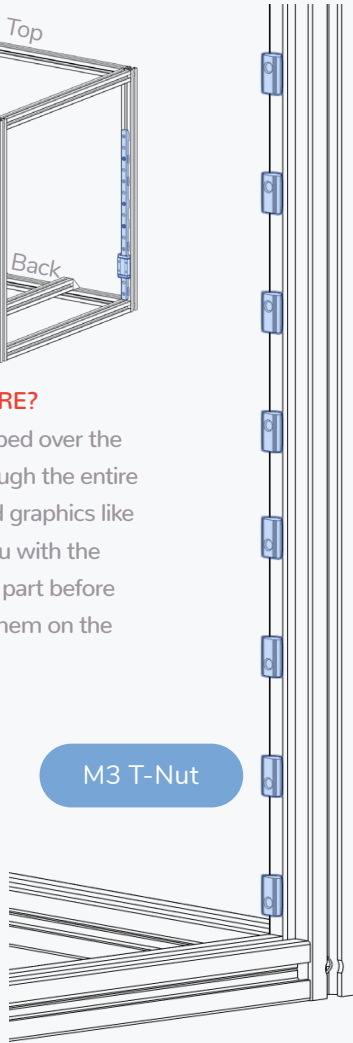
Z RAILS



WHY IS THIS HERE?

As you likely skipped over the advice to flip through the entire manual we added graphics like these to assist you with the orientation of the part before you actually put them on the printer.

M3 T-Nut



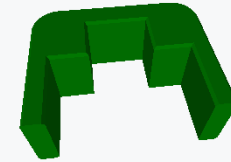
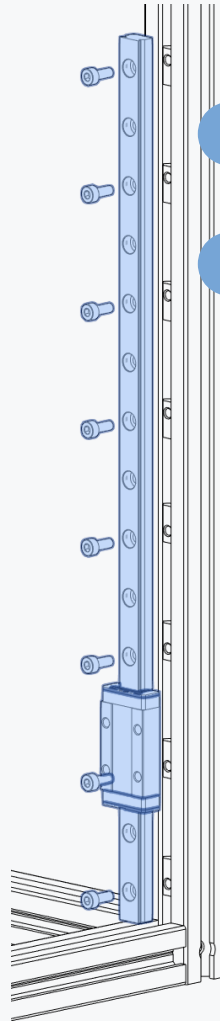
MGN9 Rail

M3x8 SHCS

MIND THE CARRIAGE

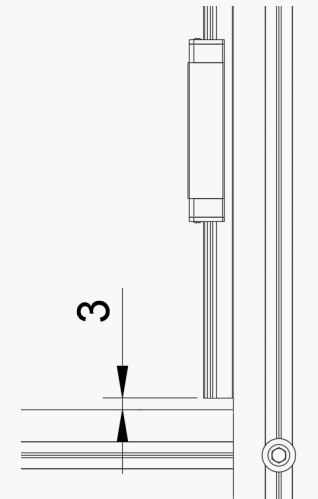
The carriages are designed to slide along the rail easily. This unfortunately also includes sliding off the rails.

Dropping the carriage will likely damage it.



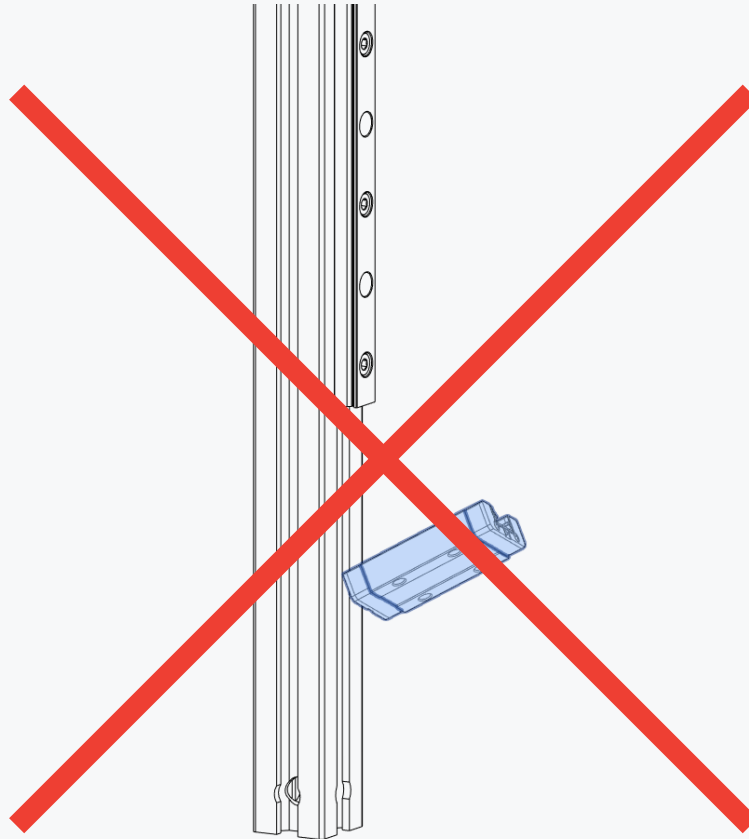
CENTRED RAIL INSTALLATION GUIDE

Use the MGN9 guides to position the rail in the center of the extrusion prior to fastening the screws.



BOTTOM GAP

Leave a gap between the printer frame and the rail. ~3mm is fine.



RAIL SAFETY

As we will turn the printer upside down during further assembly make sure to fix each carriage in position with a piece of sticky tape.

If your rails were delivered with plastic stoppers you can also temporarily reinstall them to prevent carriages from falling off their rails and spilling their bearing balls..

For illustration purposes only. Do not attempt to replicate.

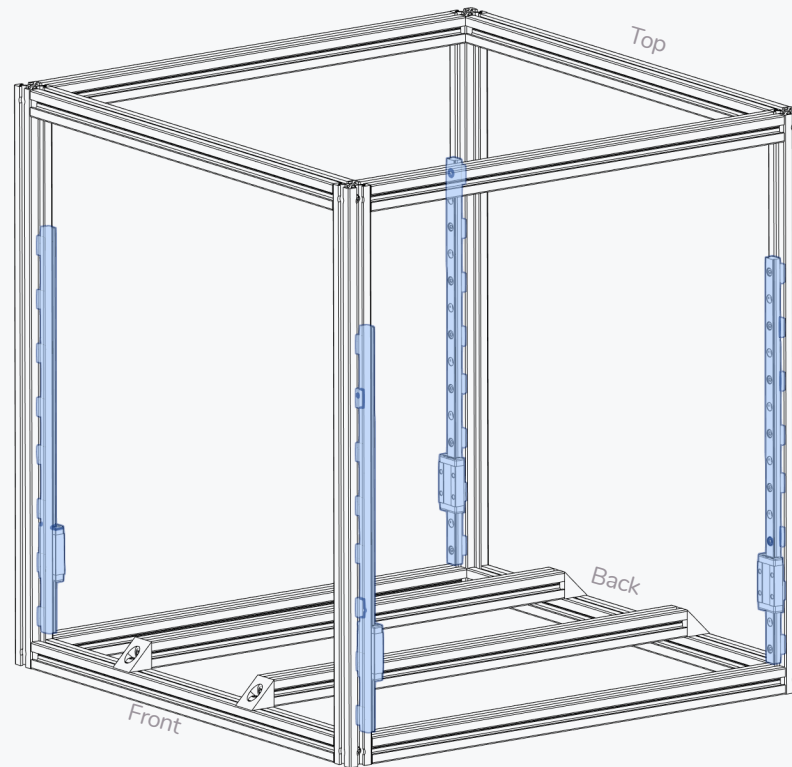
Z RAILS

WWW.VORONDESIGN.COM

INSTALL REMAINING Z RAILS

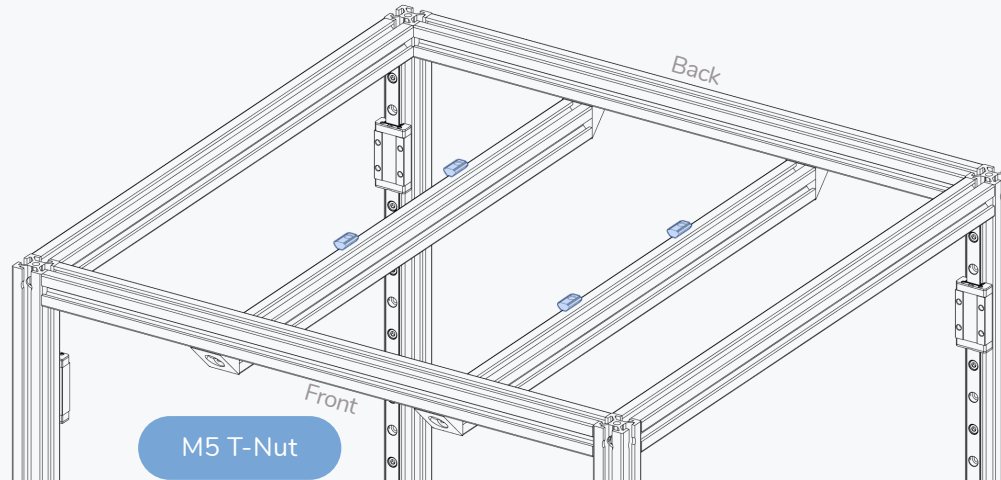
Add the remaining Z rails following the same instructions.

Make sure the rails face each other as shown in the graphic.



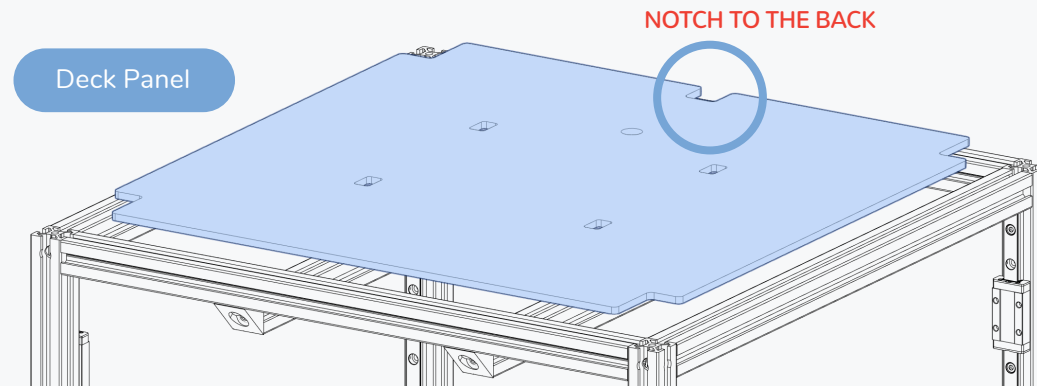
DECK PANEL

WWW.VORONDESIGN.COM



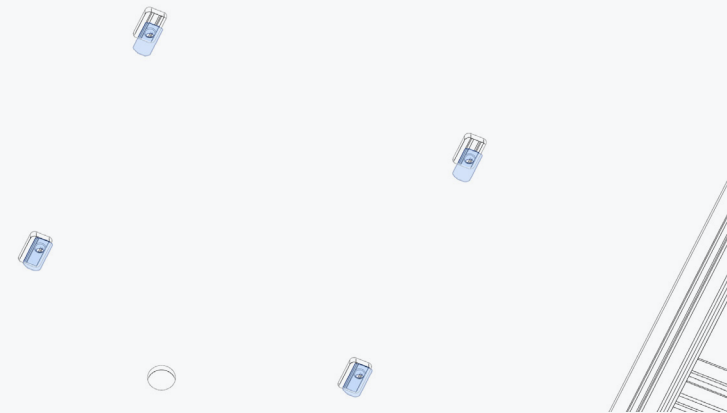
FLIP PRINTER UPSIDE DOWN

It's easier working with gravity than against it. But make sure the rail carriages are secure before doing so.



DECK PANEL

WWW.VORONDESIGN.COM

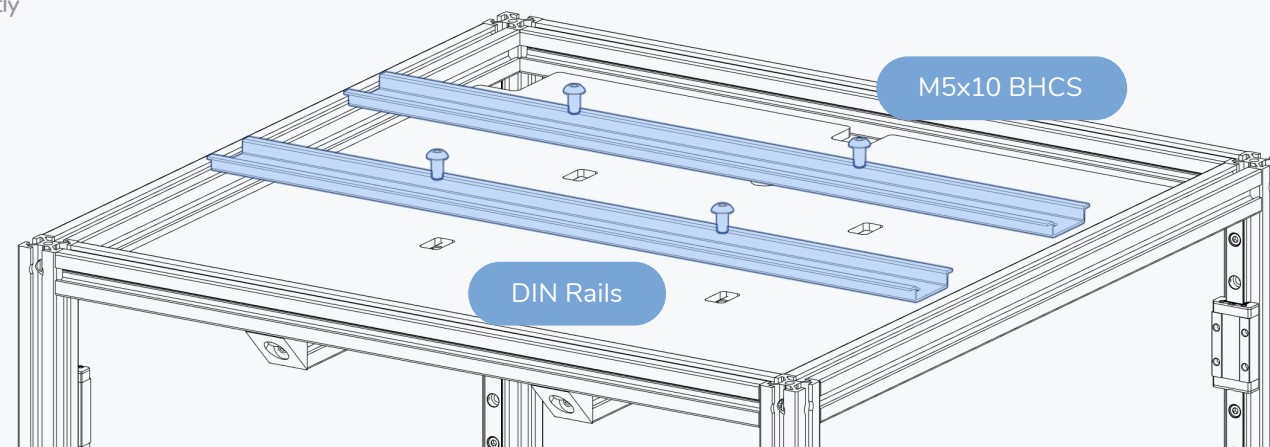


ALIGN T-NUTS WITH HOLES

Position the 4 T-nuts so they are directly below the 4 holes in the deck panel.

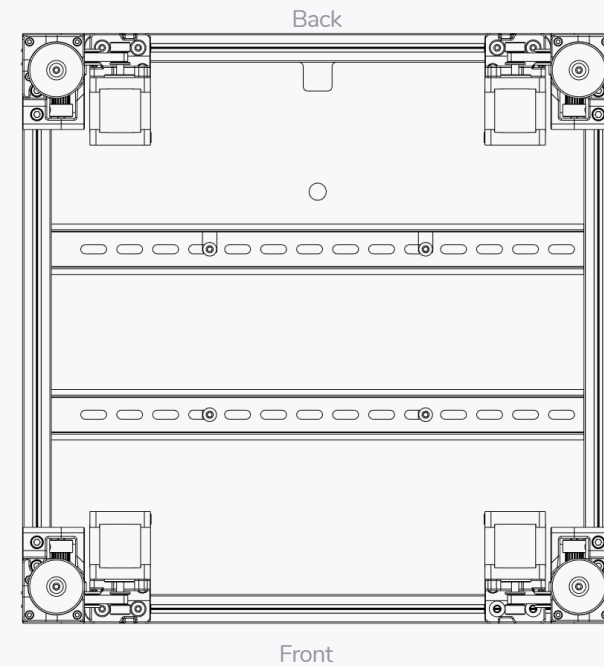
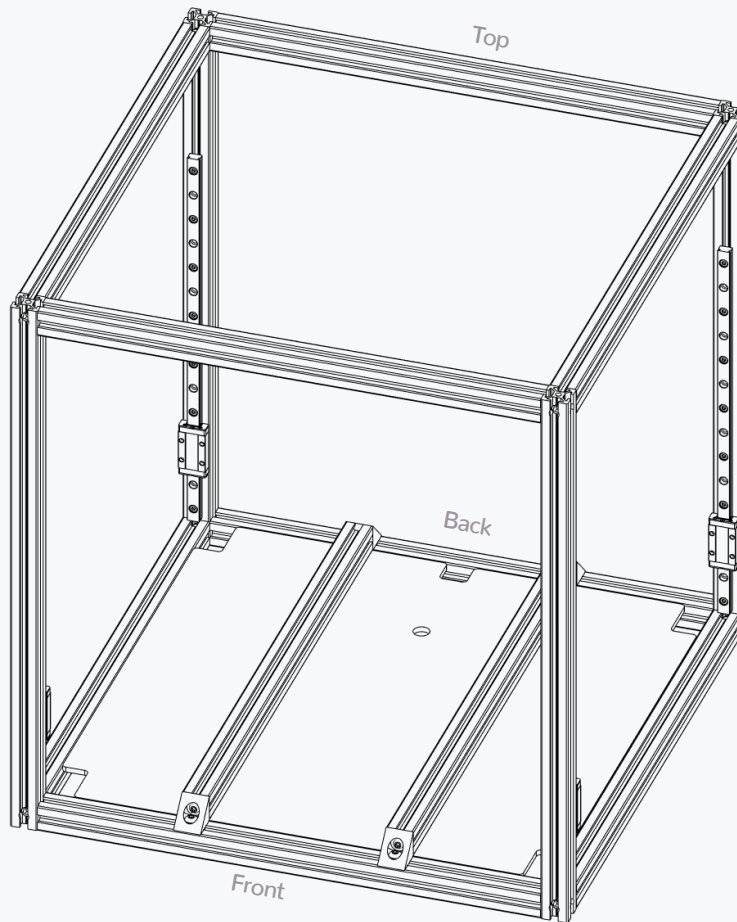
DIN RAIL SLOTS

If the slots in the rails do not line up with the t-nut you can shorten the DIN rails by a few mm.



ORIENTATION

WWW.VORONDESIGN.COM

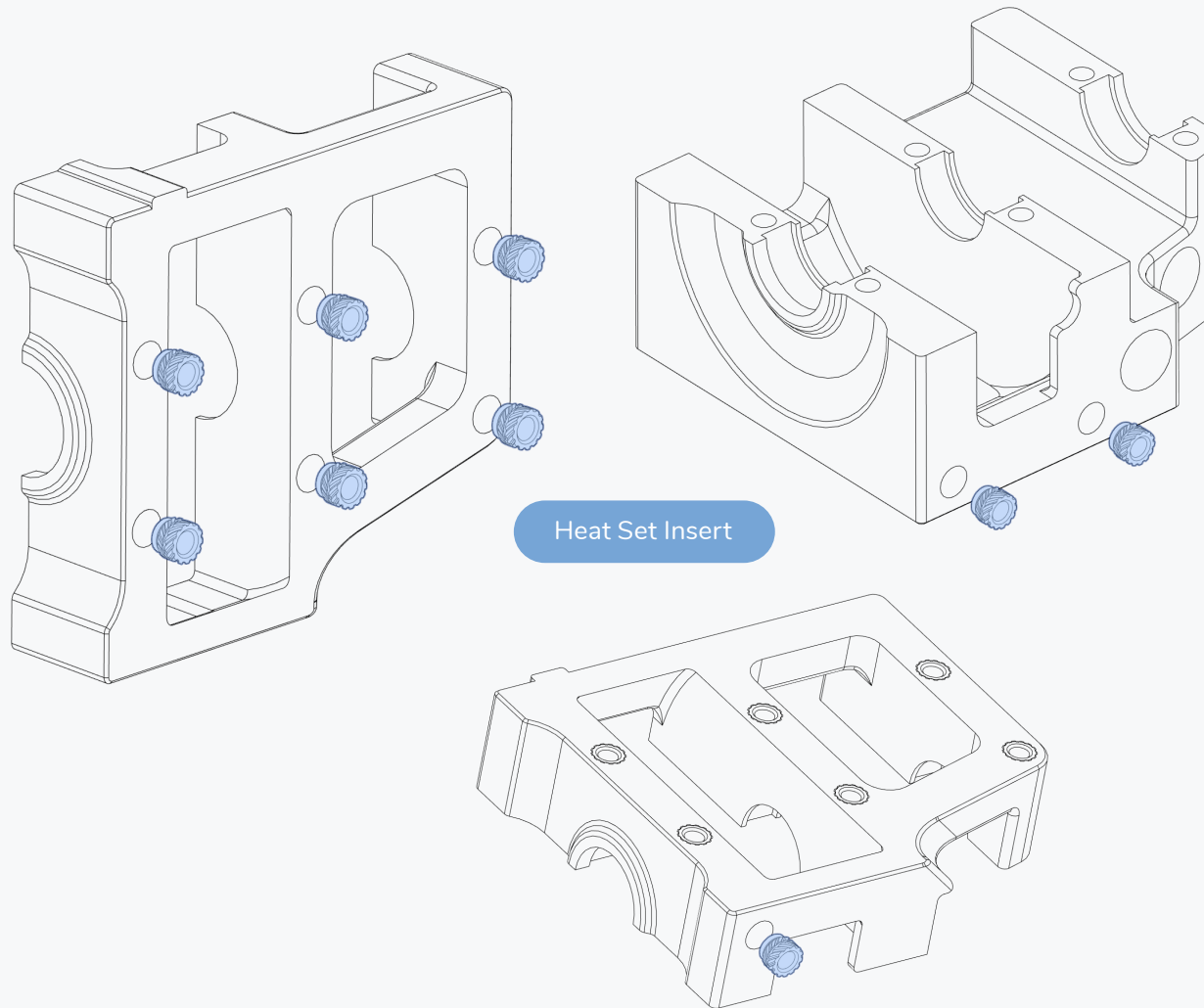


PRINTER ORIENTATION

We regularly insert graphics like the ones above to help you along the build process. The sides are labeled to make it easier to keep track.

PREPARATION

WWW.VORONDESIGN.COM



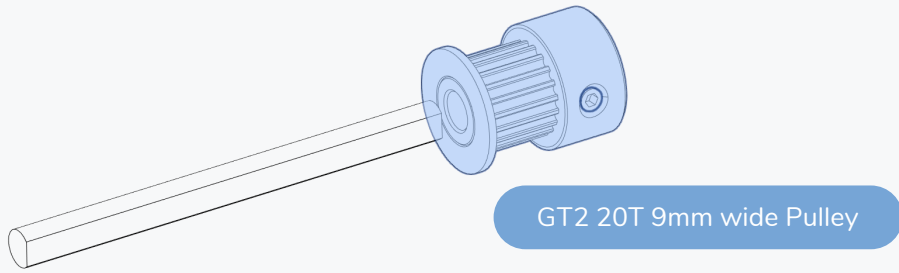
HEAT SET INSERTS

This design relies heavily on heat set inserts. Make sure you have the proper inserts (check the hardware reference for a close up picture and the BOM for dimensions).

If you've never worked with heat set inserts before we recommend you watch the linked guide.



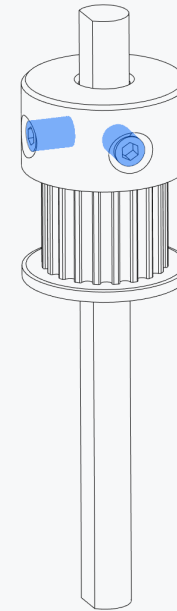
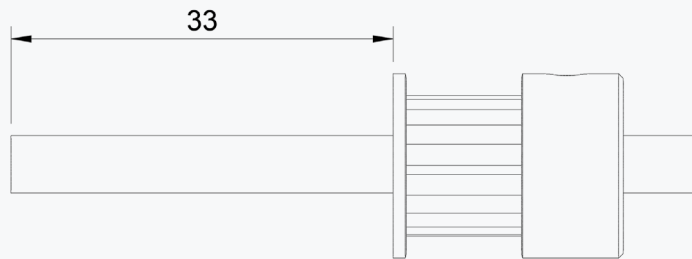
<https://voron.link/m5ybt4d>



5x60 Shaft

GT2 20T 9mm wide Pulley

POSITION AS SHOWN
Make sure one of the set screws is oriented with the D cut, as shown in the image.



SET SCREWS

AKA THE ROOT OF ALL ISSUES

Insert both set screws and use thread locker on all set screws.

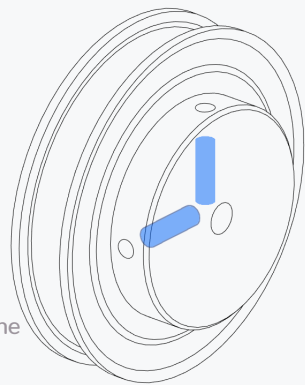
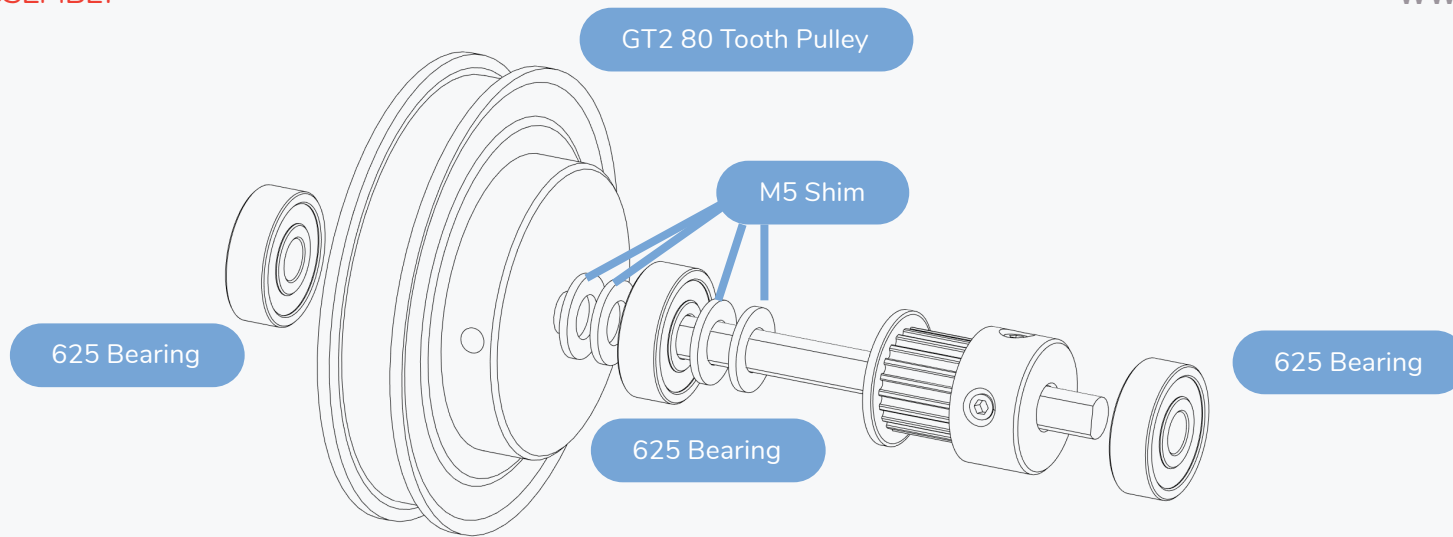
Use a high quality hex driver to prevent the hex profile from stripping. Ball-end drivers are not recommended.

Loose set screws account for the majority of issues that our users report. Save yourself hours of troubleshooting and apply thread locker to all set screws during the build.

See the product's application notes for instructions - keep away from printed parts.

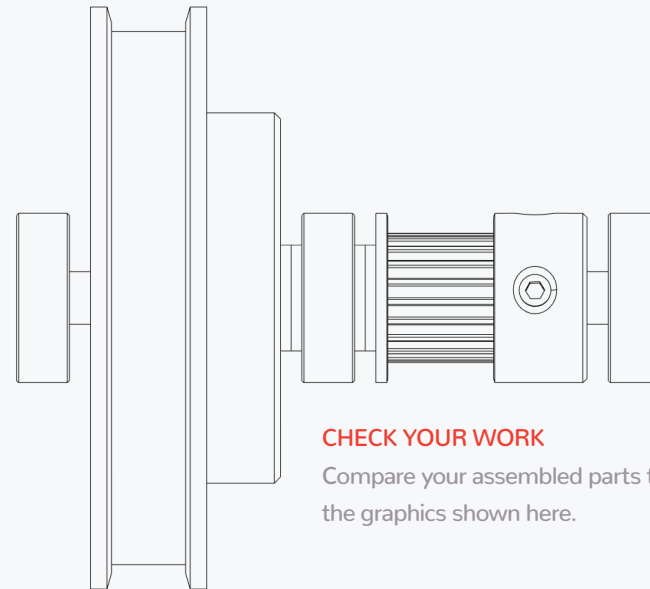
BELT DRIVE ASSEMBLY

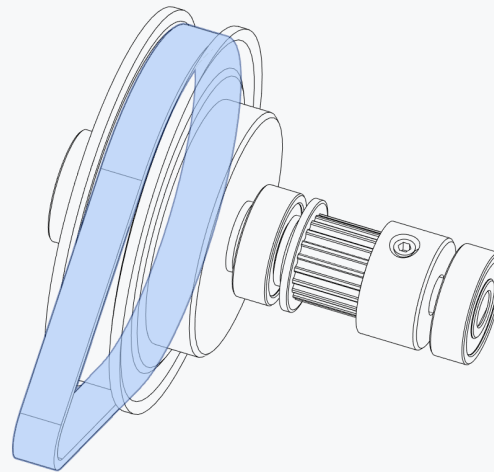
WWW.VORONDESIGN.COM



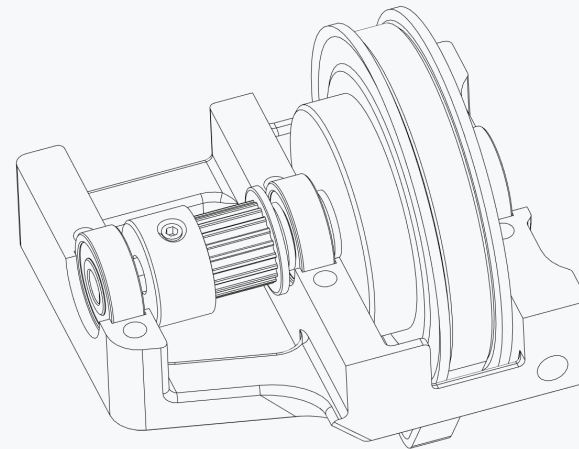
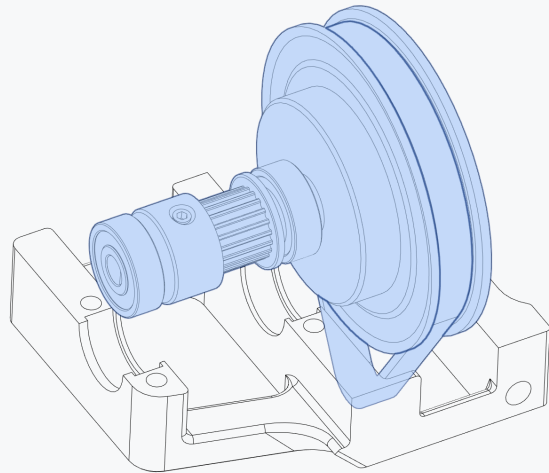
APPLY THREAD LOCKER

Make sure to use thread locker on the set screws.



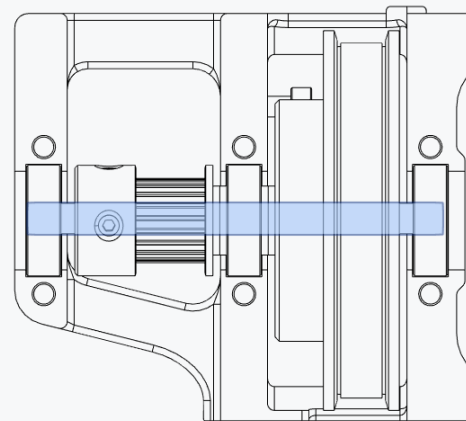


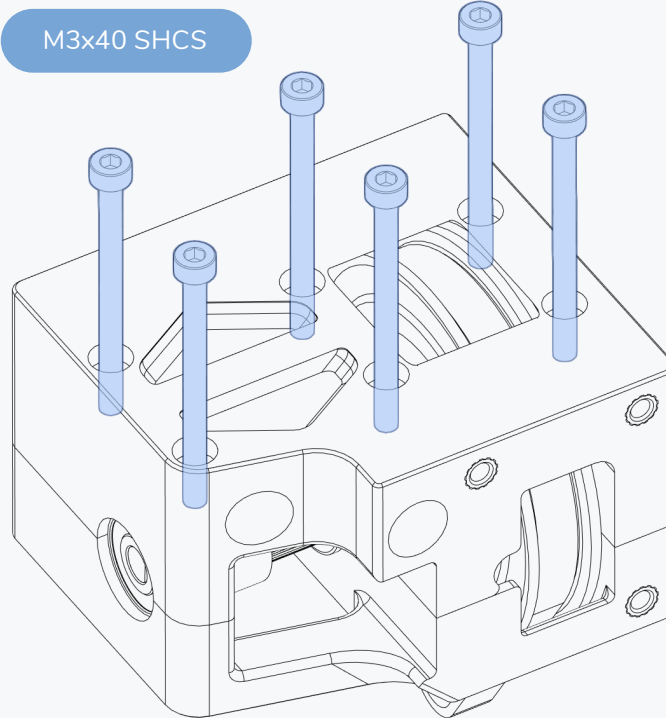
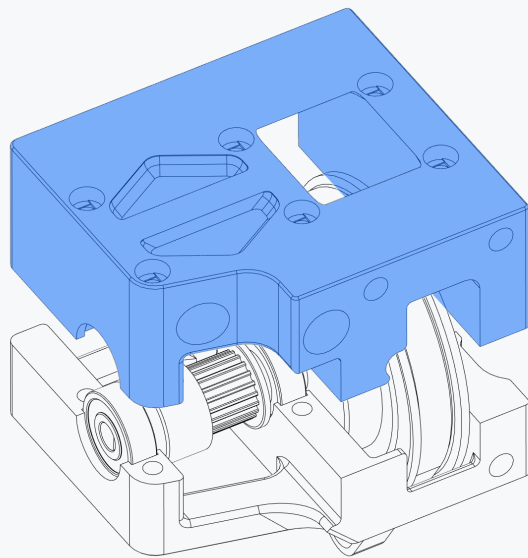
GT2 188mm Belt Loop

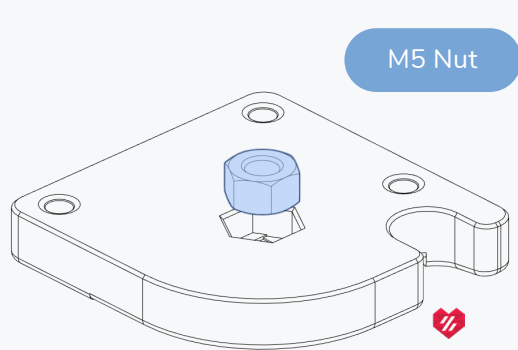


CHECK SHAFT POSITION

Compare your assembled parts to the graphics shown here.

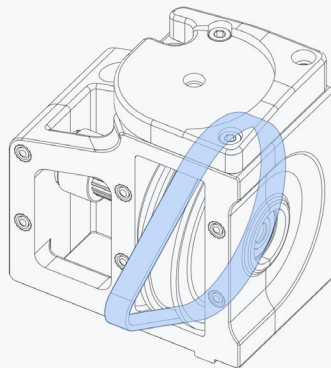
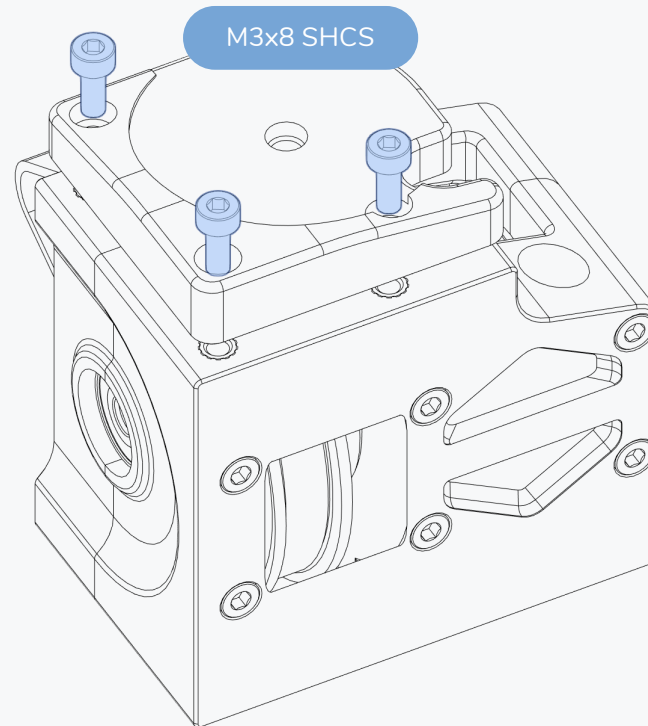






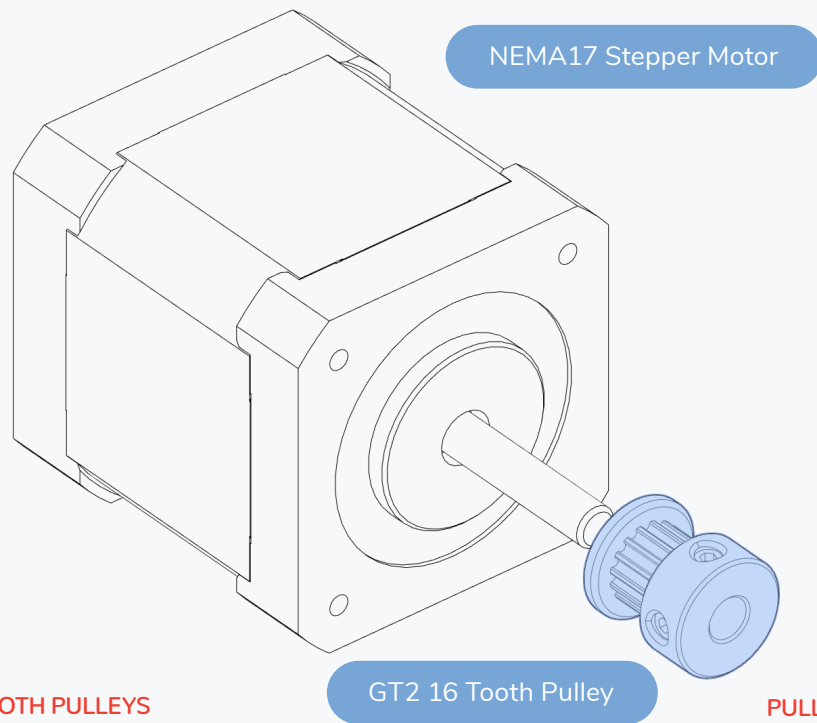
ACCENT PART?

Look for Voron heart next to the part.
It indicates that this is an accent part.



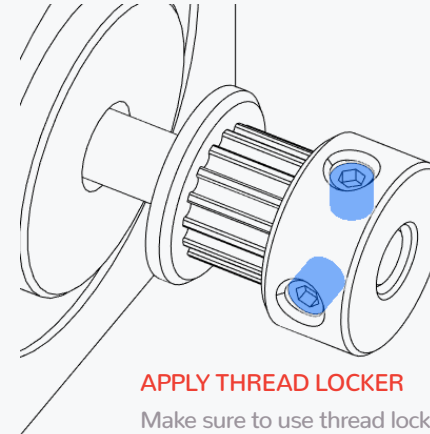
CHECK FOR BELT

Make sure the closed belt loop is in
the part.



16 TOOTH PULLEYS

The Z drive motors are the only place in the printer that use 16 tooth pulleys!
Remove the pulleys from your work surface after you finish this chapter.



APPLY THREAD LOCKER

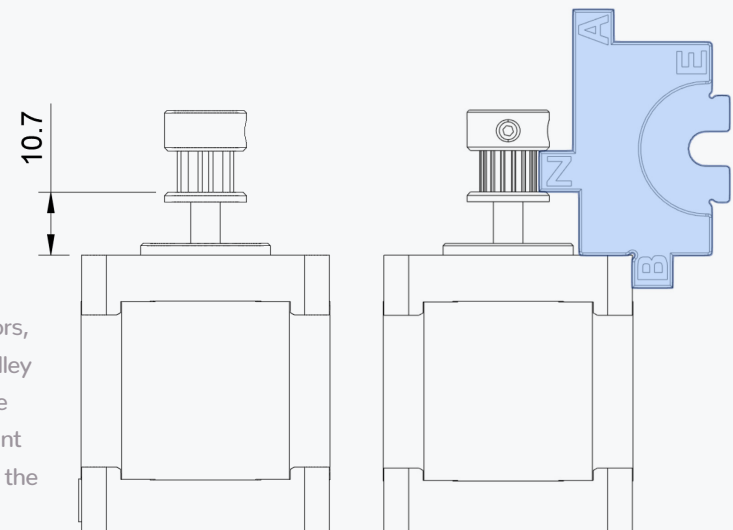
Make sure to use thread locker on the set screws.

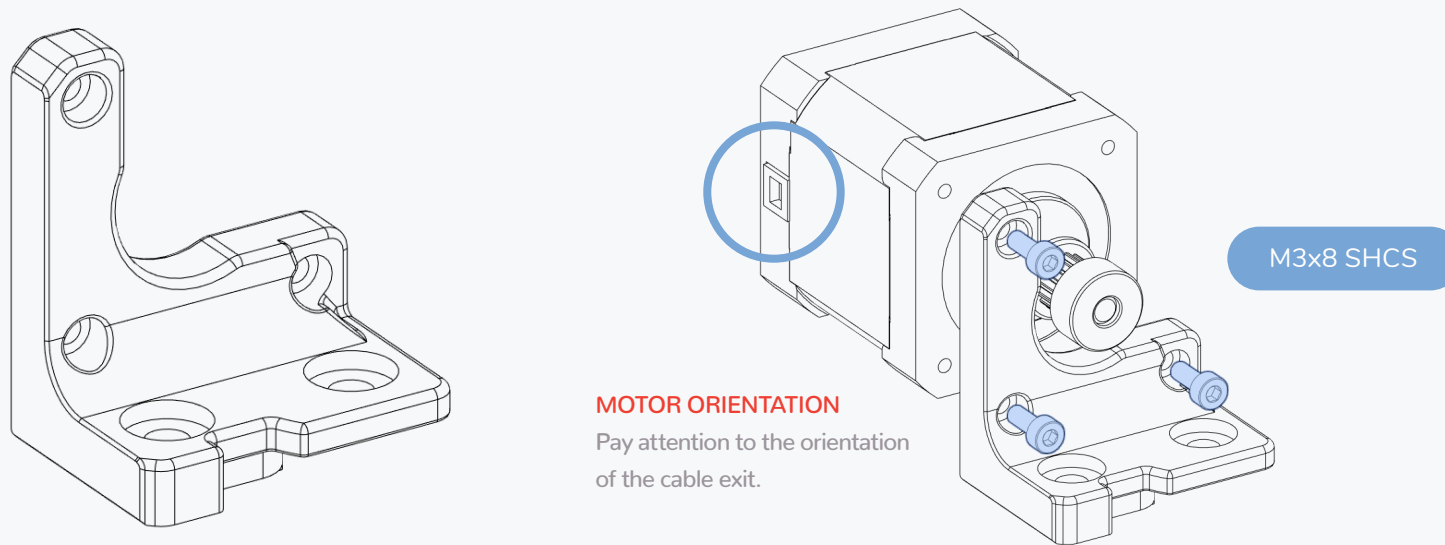


<https://voron.link/fx10m8e>

PULLEY POSITION

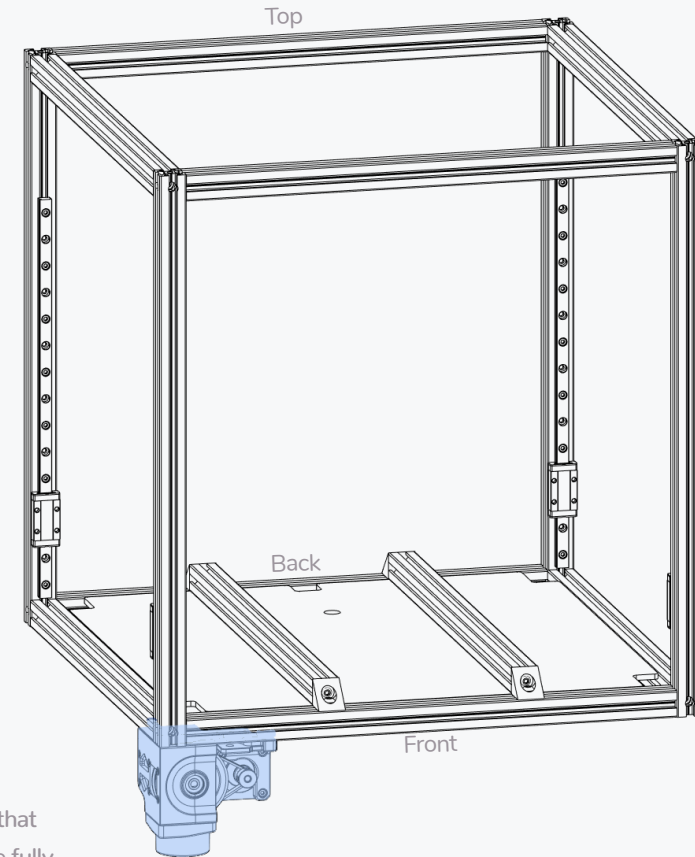
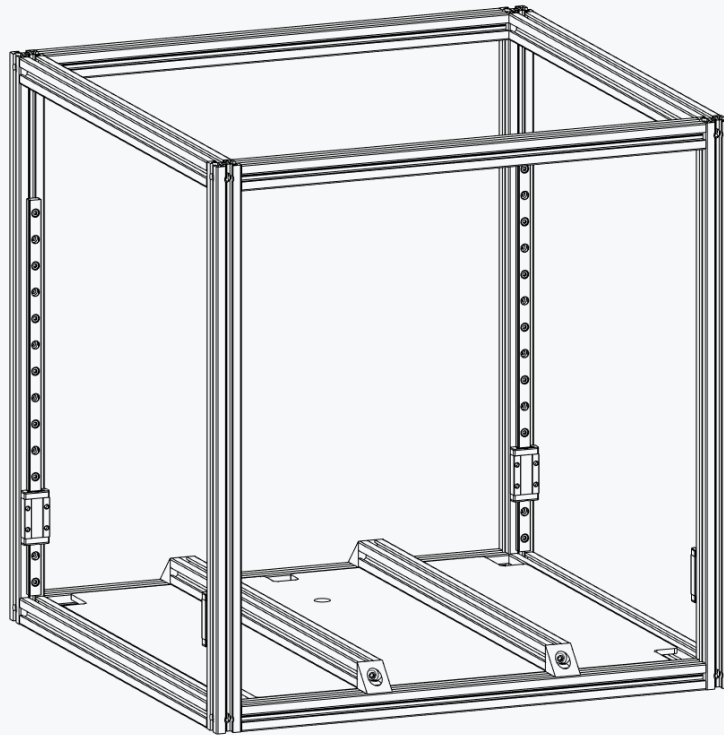
Depending on your motors, you may find that the pulley sits better in the opposite orientation. The important thing is the placement of the actual teeth.





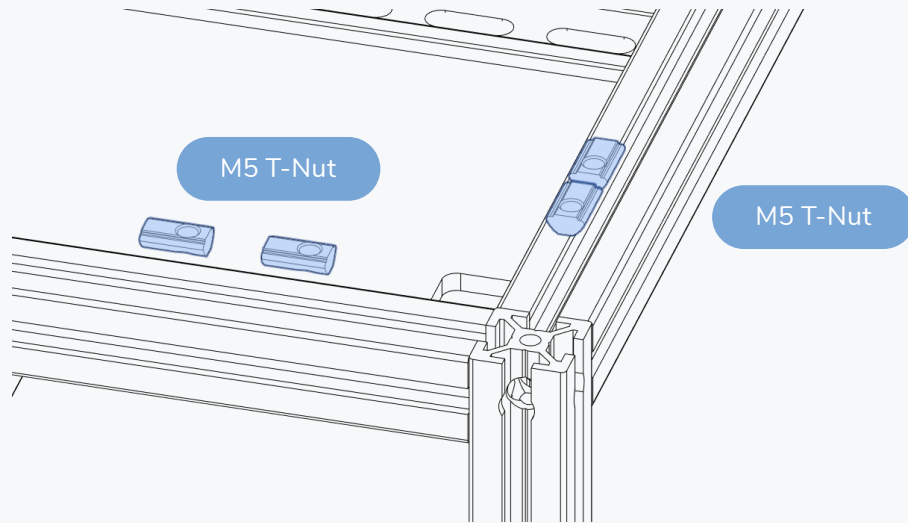
ORIENTATION

WWW.VORONDESIGN.COM



PICTURE FOR ORIENTATION

The Z0 drive is the first Z drive that will be added to the printer. The fully assembled Z Drive is highlighted in blue.

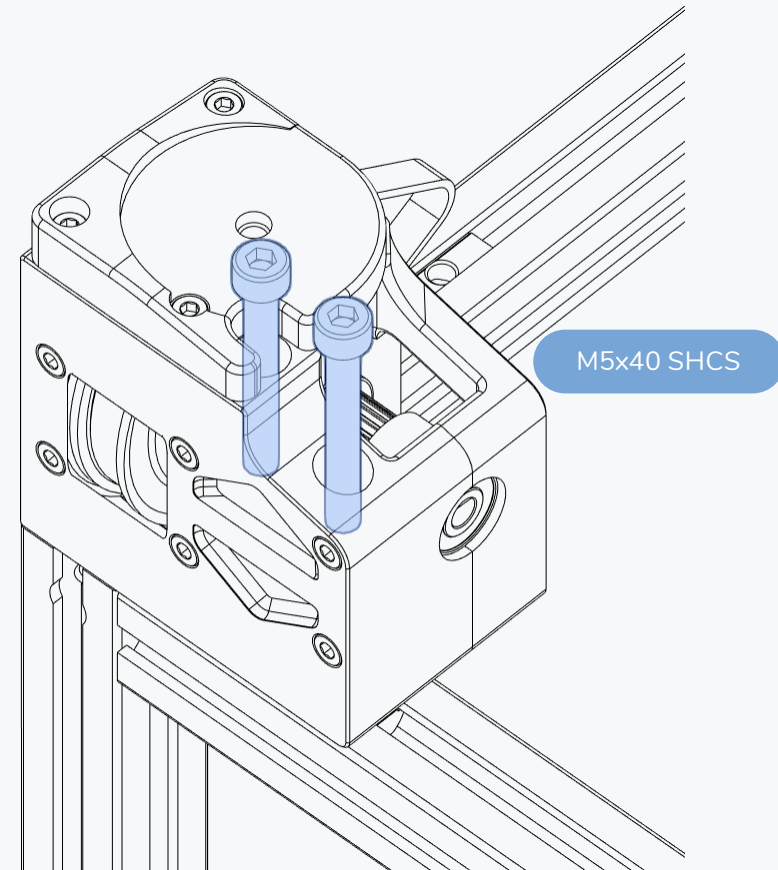
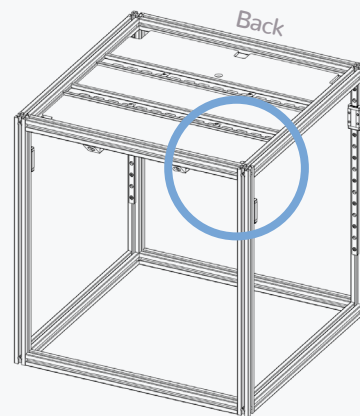


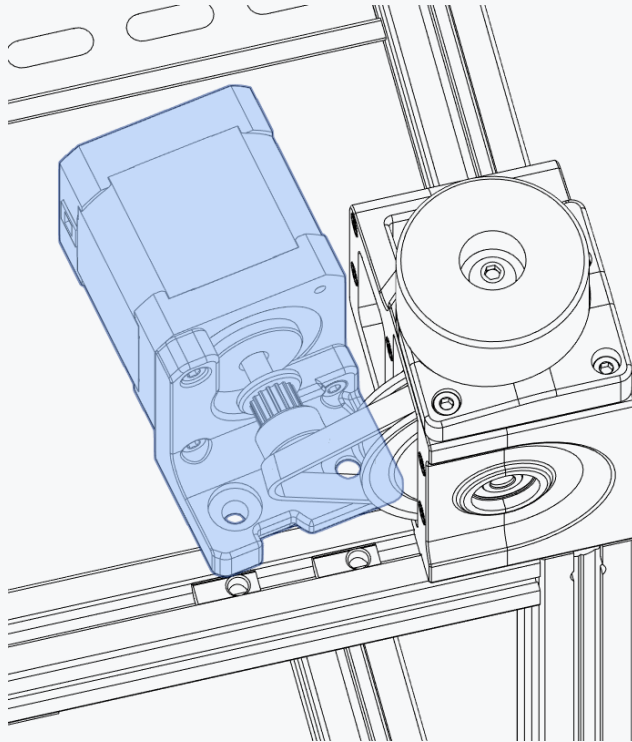
WHICH CORNER IS THIS?

We highlighted the corner with a circle.

UPSIDE DOWN ASSEMBLY

For ease of assembly we recommend flipping the printer on its head for the next steps.

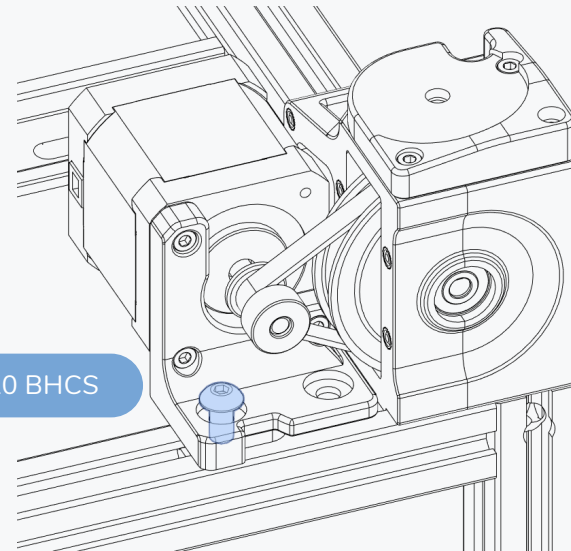




SLIDE INTO PLACE

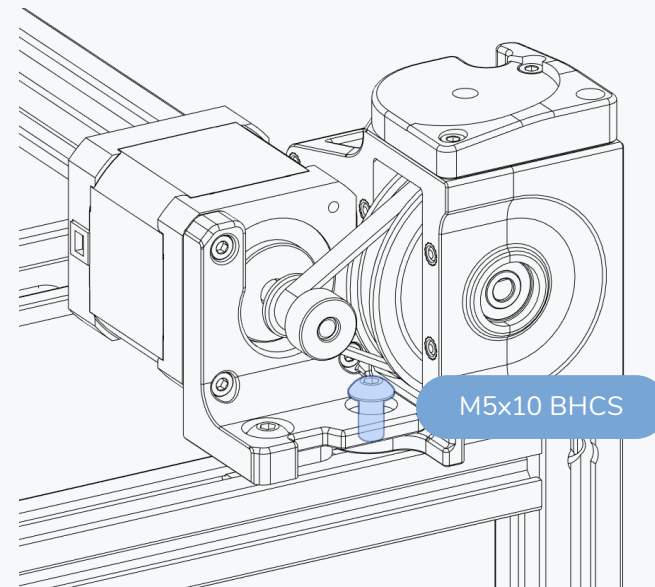
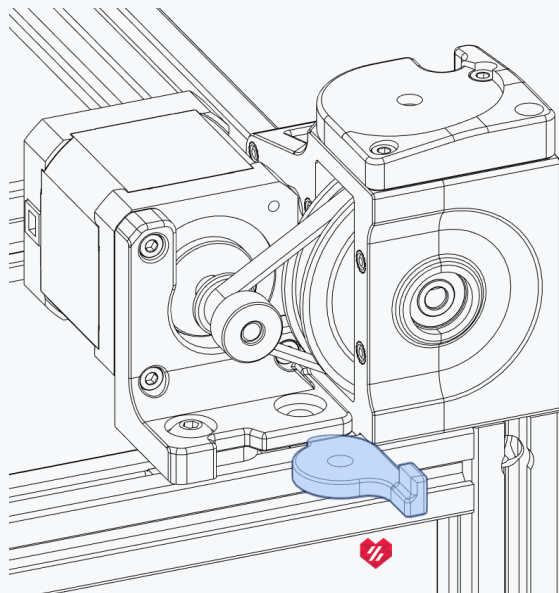
Insert at an angle and slide into place.

M5x10 BHCS



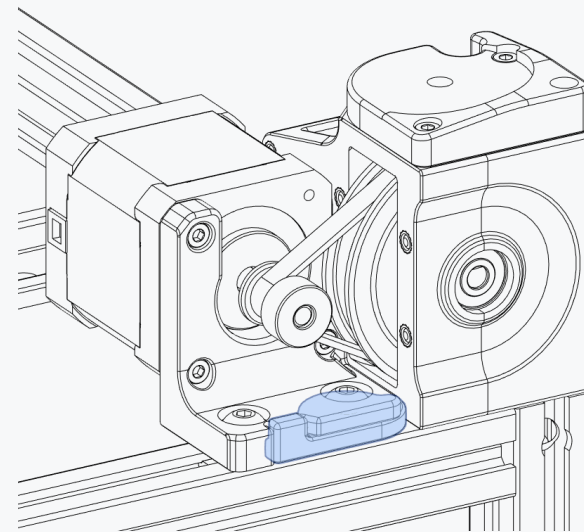
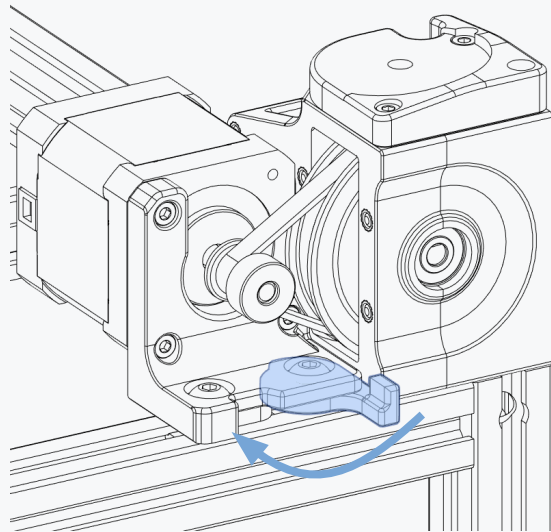
DON'T TIGHTEN

Leave the bolt loose for the next step.



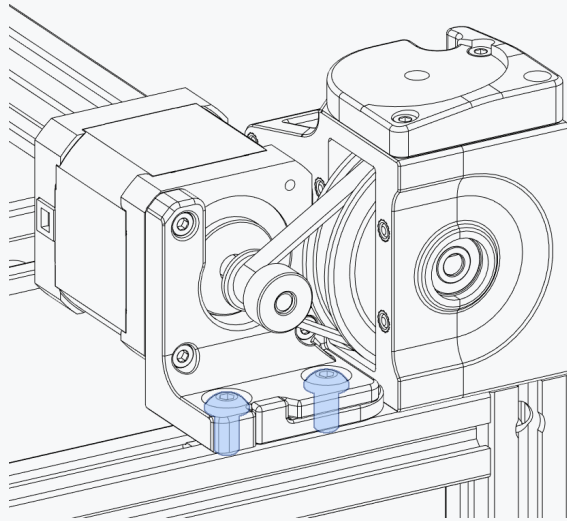
DON'T TIGHTEN

Leave the bolt loose for the next step.



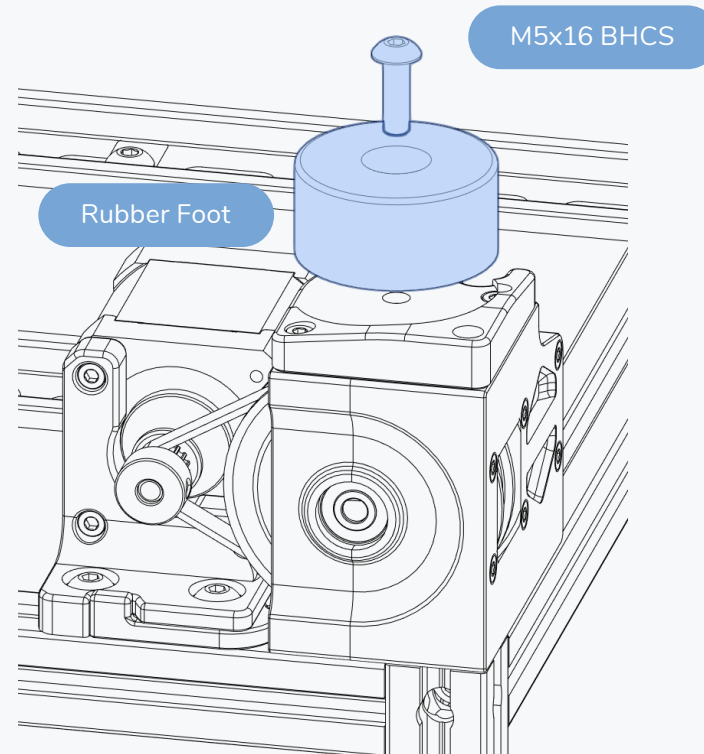
CLOSE THE BELT TENSIONER

Flip the belt tensioner latch closed.



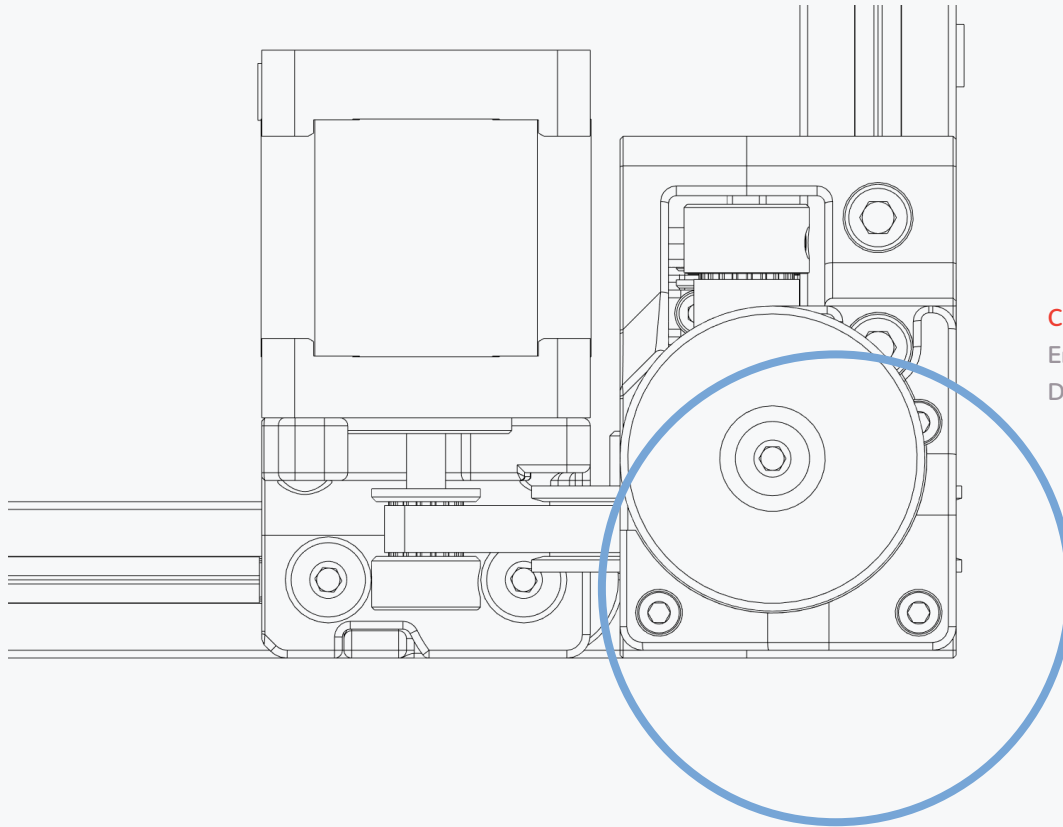
TIGHTEN BOLTS

After closing the tensioner the M5 bolts can be properly fastened.



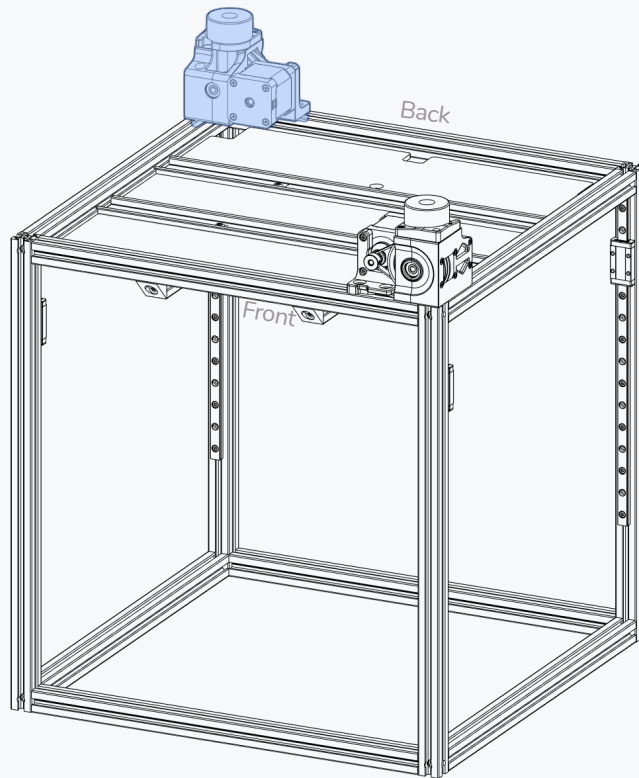
Rubber Foot

M5x16 BHCS

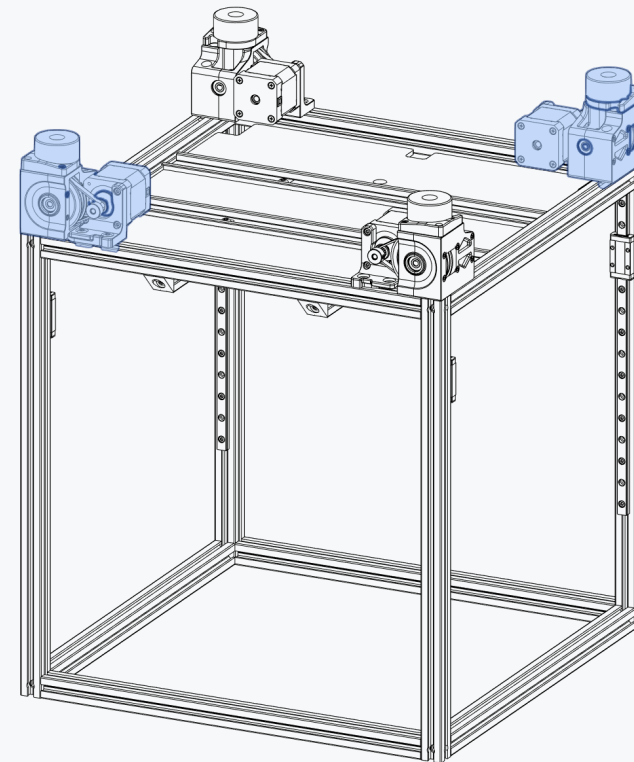


CHECK POSITION

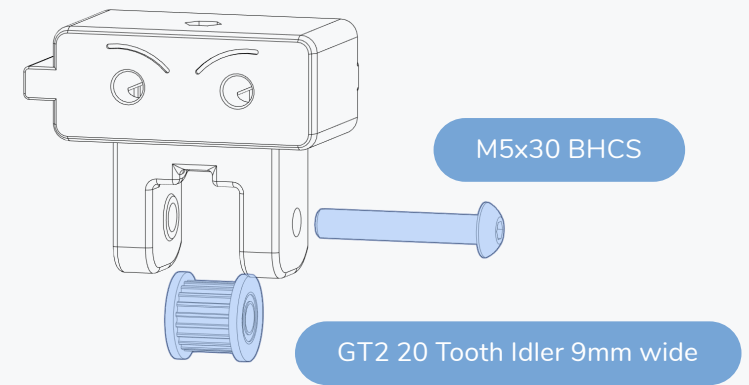
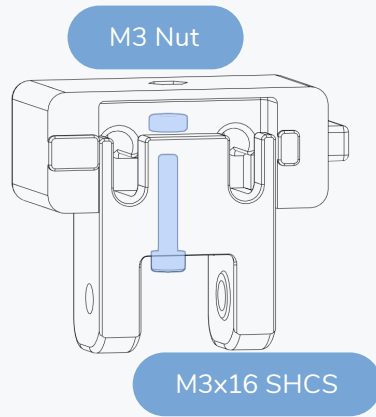
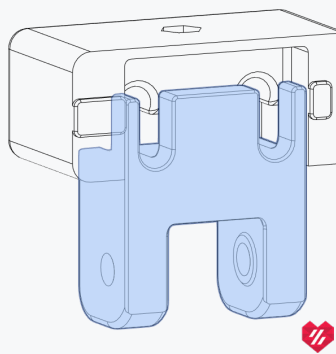
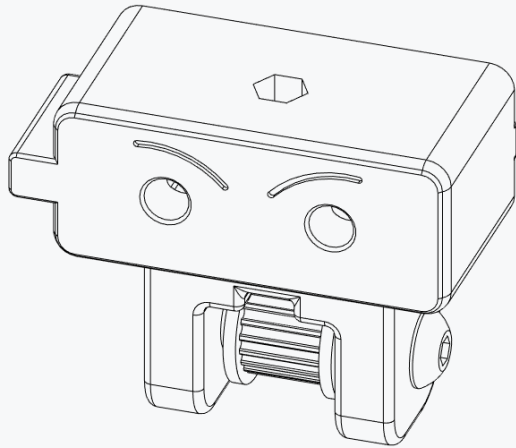
Ensure that closing the belt tensioner did not cause the Z Drive to move/shift. If it did undo the bolts and realign.



REPEAT INSTRUCTIONS FOR OPPOSING CORNER
Build another Z drive, following the same instructions.

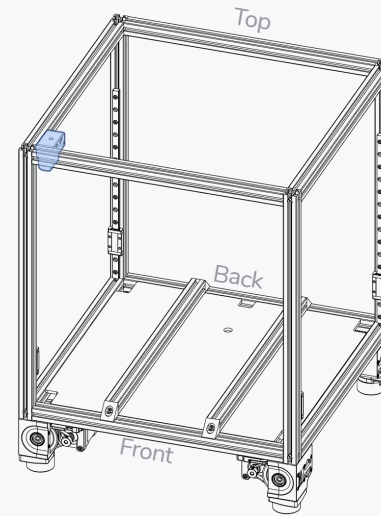


REPEAT INSTRUCTIONS FOR THE MIRRORED DRIVES
Build two more Z drives following the instructions that came before. The printed parts are mirrored.



Z IDLER

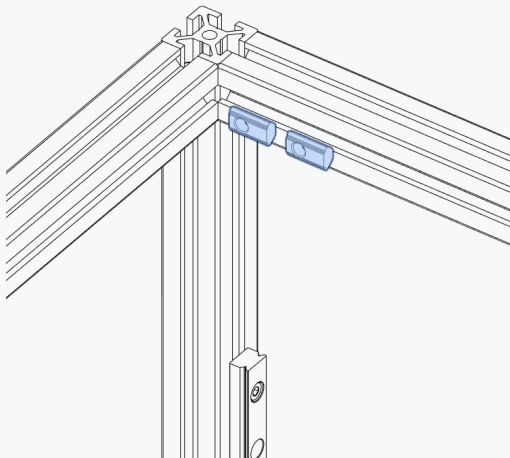
WWW.VORONDESIGN.COM



IDLER ORIENTATION

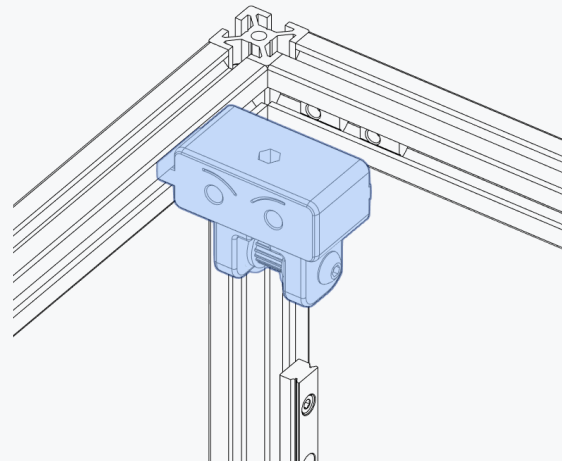
Mind the idler orientation. The idler must face in the same orientation as the pulley in the drive below it.

M5 T-Nut

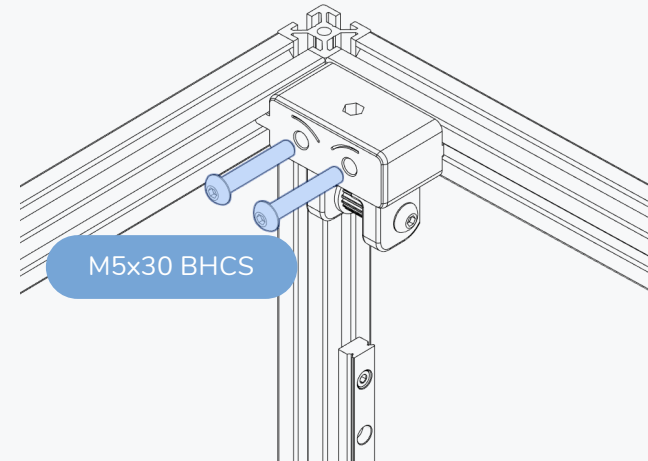


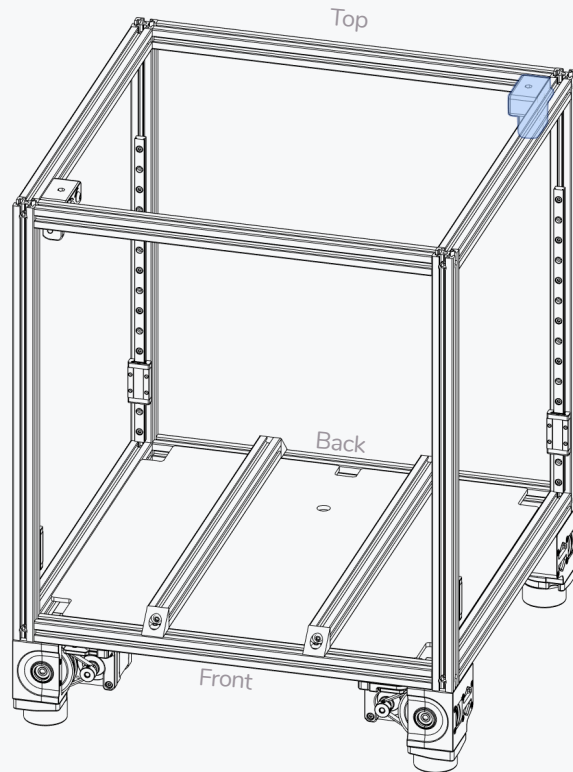
SEAT IN CORNER

Ensure idler is pressed firmly into corner before tightening.



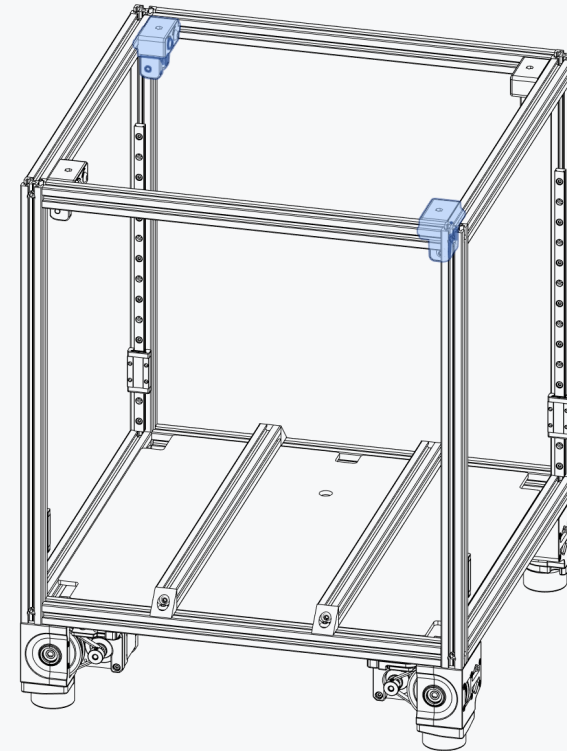
M5x30 BHCS





REPEAT INSTRUCTIONS FOR OPPOSING CORNER

Build another Z idler following the same instructions.



REPEAT INSTRUCTIONS FOR THE MIRRORED DRIVES

Build two more Z idlers following the instructions that came before. The printed parts are mirrored.

The first design released under the name Voron was the "Voron Geared Extruder". This was on January 28 2015.

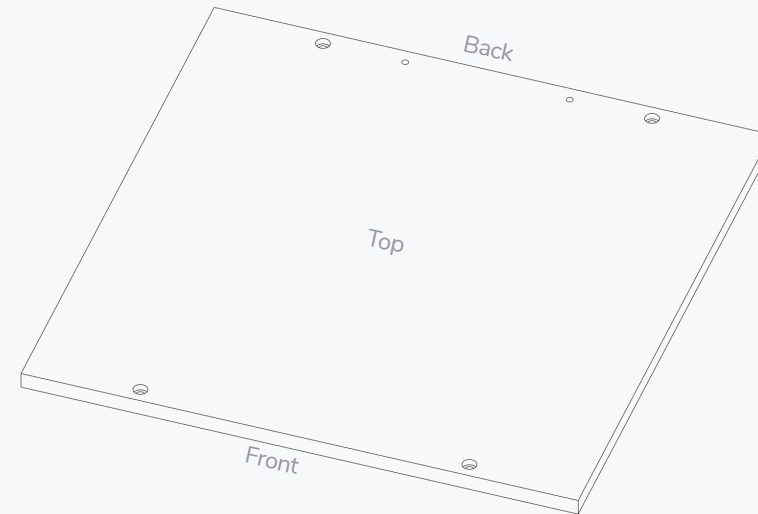
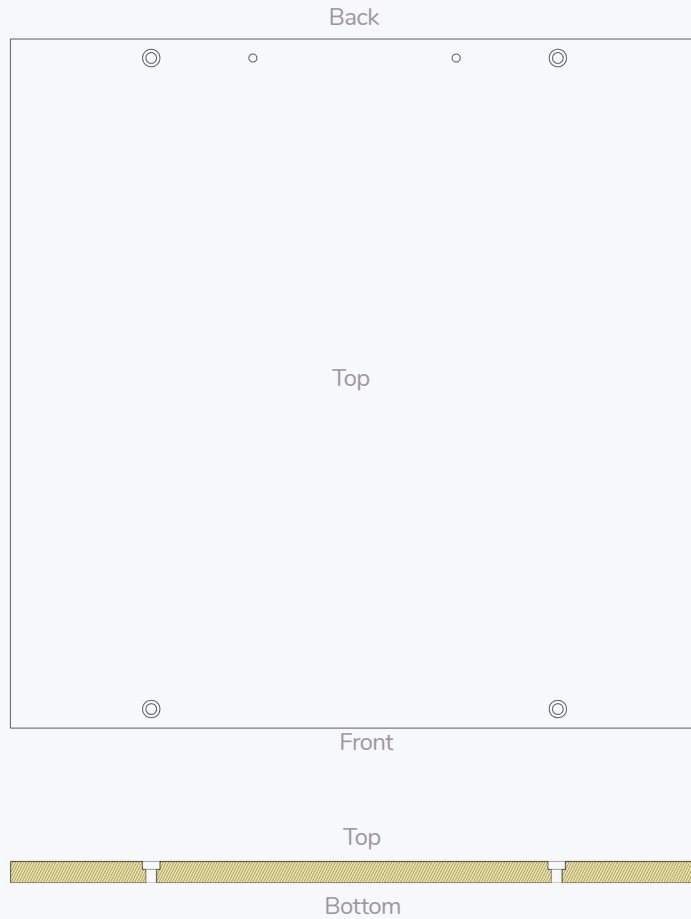
PRINT BED

WWW.VORONDESIGN.COM



OVERVIEW

WWW.VORONDESIGN.COM



WHICH SIDE IS WHICH?

The top of the plate has mounting holes with bores that allow boltheads to sit flush/below the surface.

The plate has additional tapped holes to secure the Protective Earth (PE) connection and a thermal fuse, those are on the back side of the plate.





MAGNET APPLICATION

Clean the plate with isopropyl alcohol or similar cleaner prior to applying the magnet.

Use the edge of a plastic object or a small roller to firmly press the magnet on the plate to get a good bond from the adhesive backing.

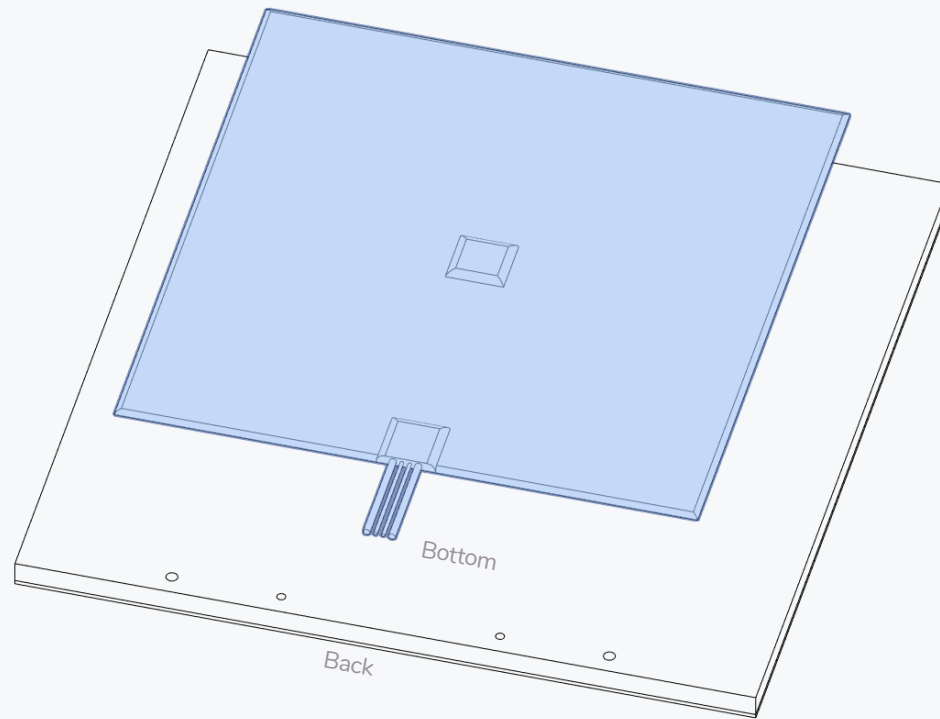
If you have never done this before we recommend you watch the linked guide.



<https://voron.link/rm6tpld>

HEATED BED

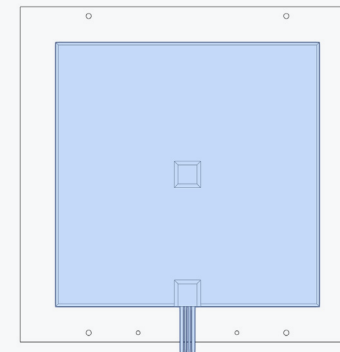
WWW.VORONDESIGN.COM

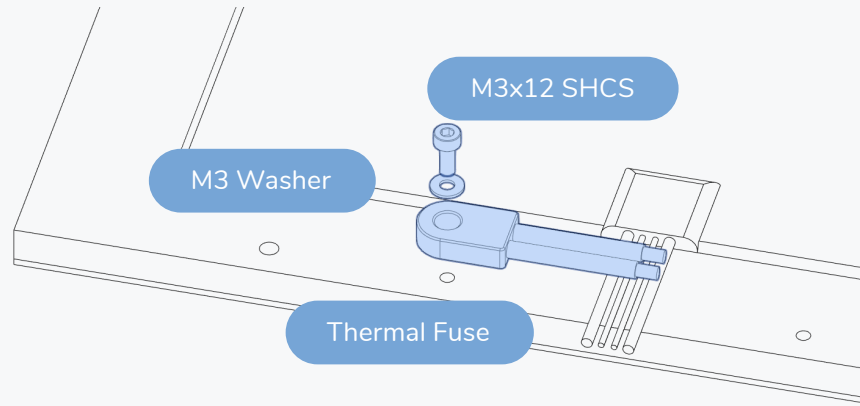


HEATER APPLICATION

The heater is installed in the same fashion as the magnet.

Centre it on the bottom side of the build plate and make sure to firmly press it onto the build plate.



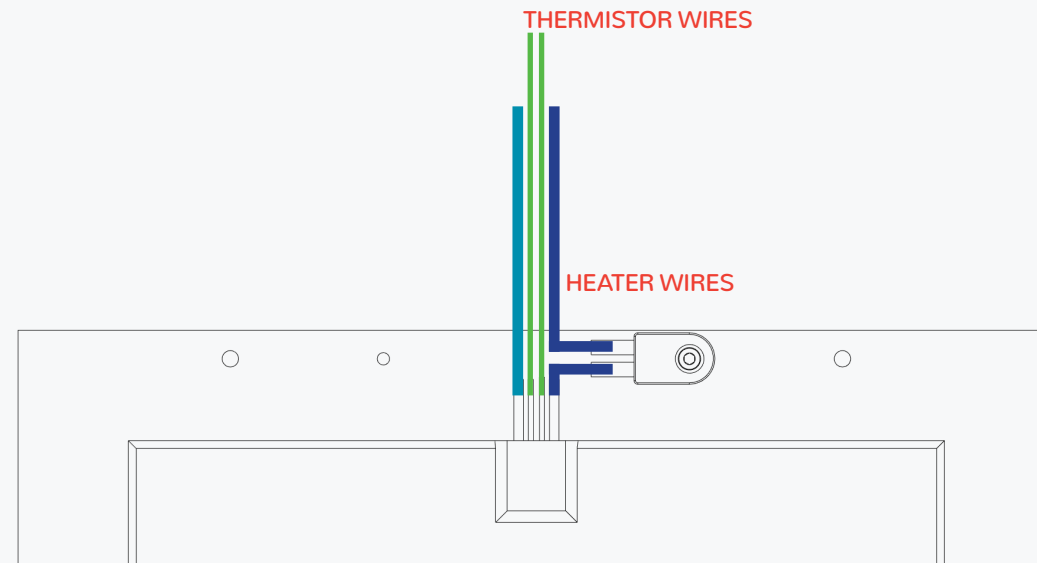


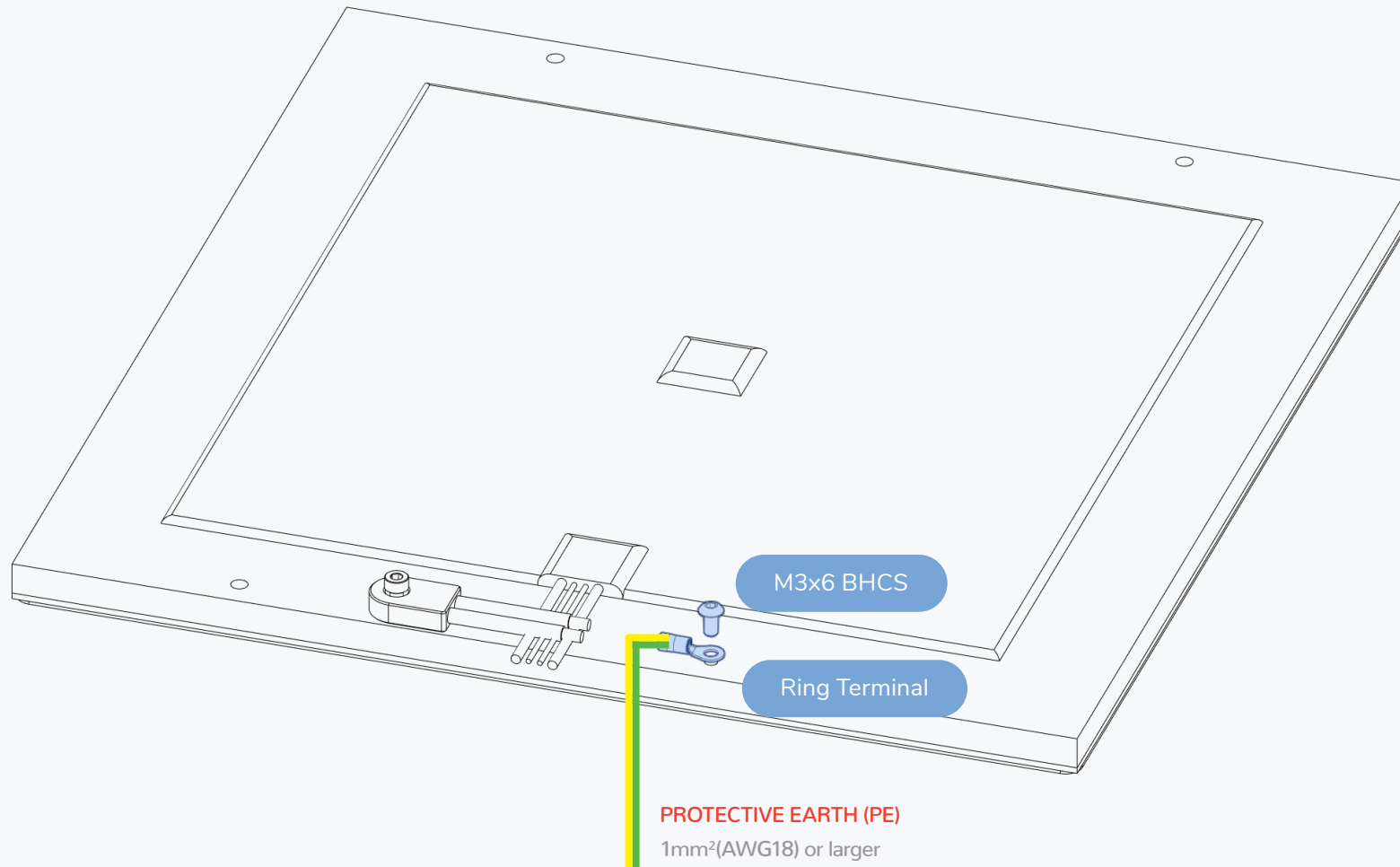
THERMAL FUSE

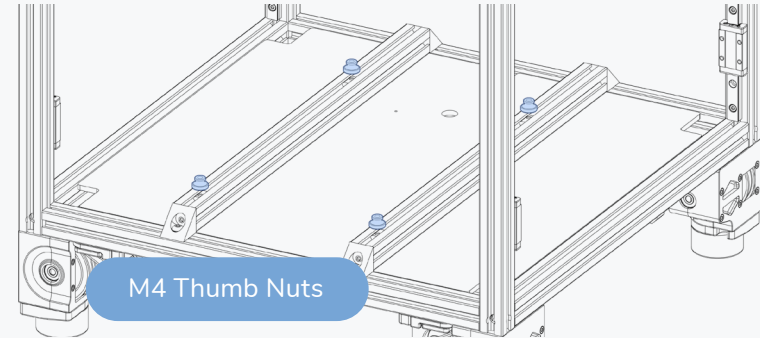
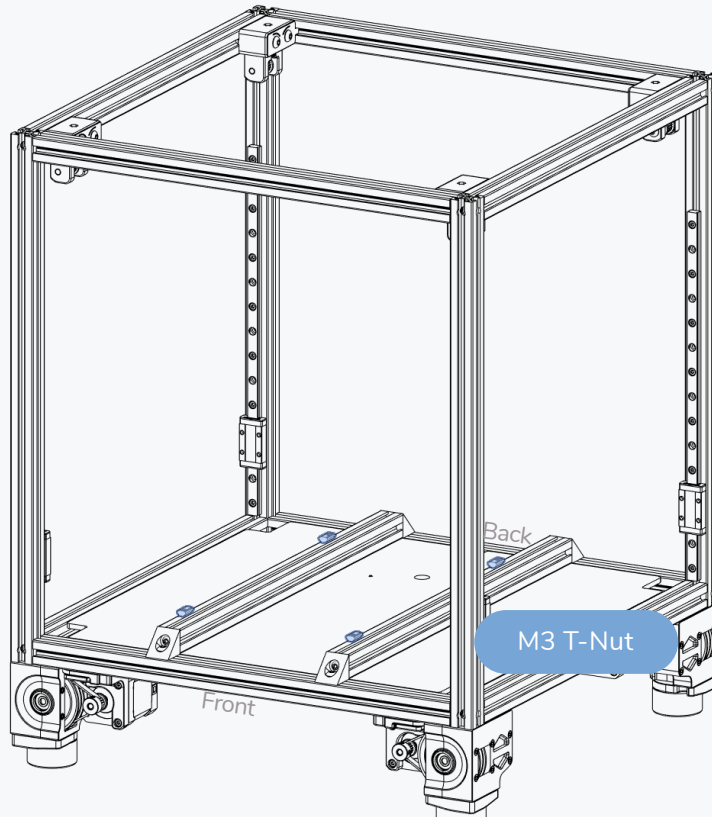
While not required to operate the printer, a thermal fuse attached to the build plate adds an additional layer of protection against potentially dangerous malfunctions.

The thermal fuse is wired in-line with the heater wires.

Depending on the tapped holes in the plate you may need to use a shorter bolt.

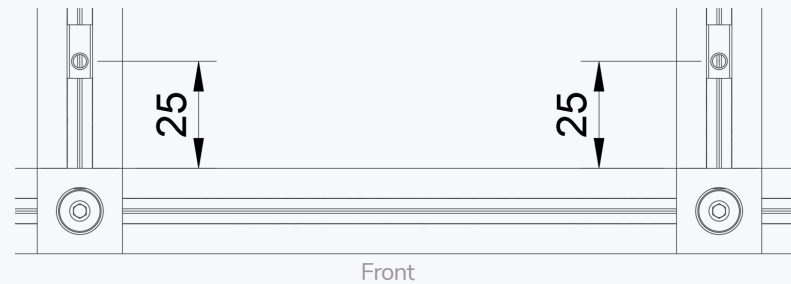


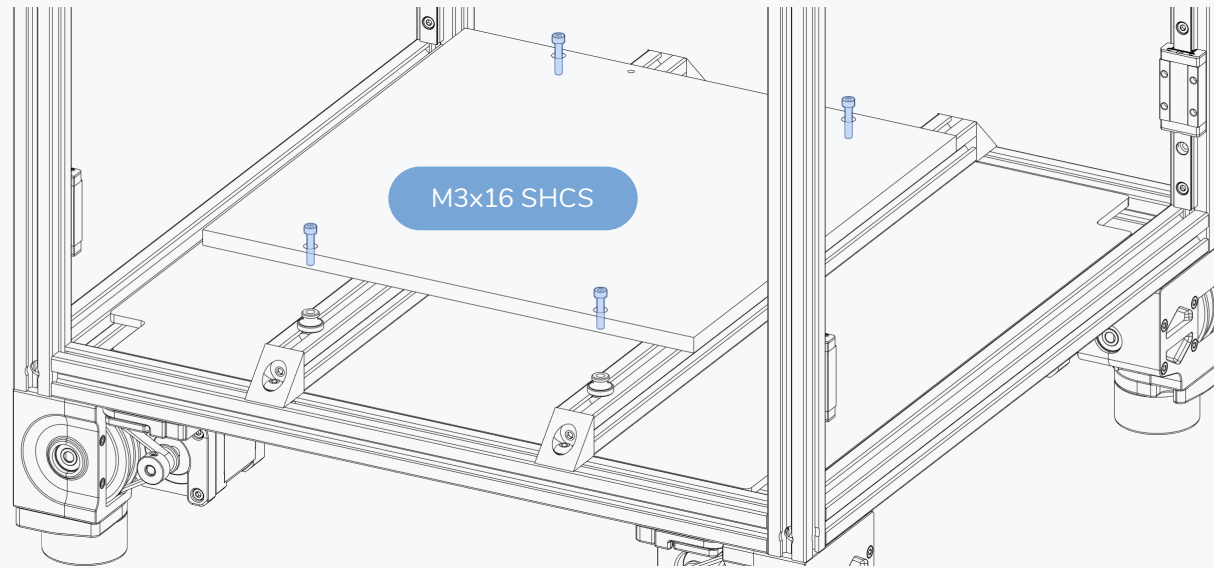




M4 NUT FOR A M3 BOLT?

We use the thumb nuts as spacers. You can replace them with different heat resistant spacers of the same length.



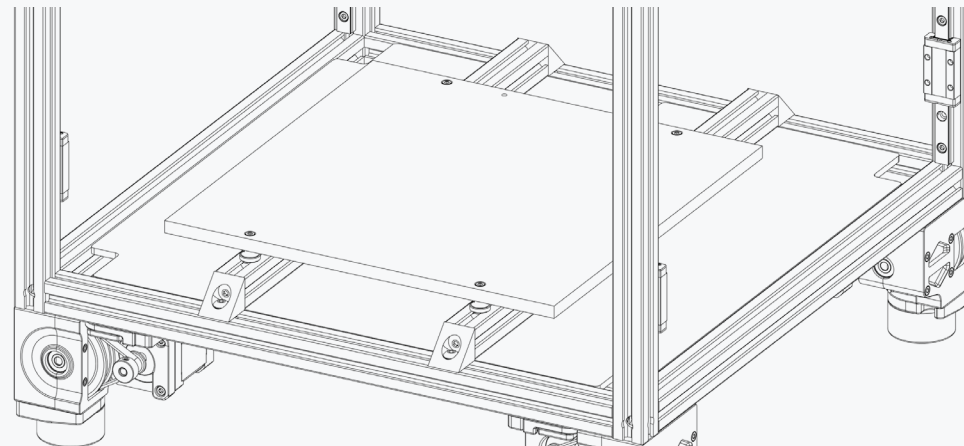


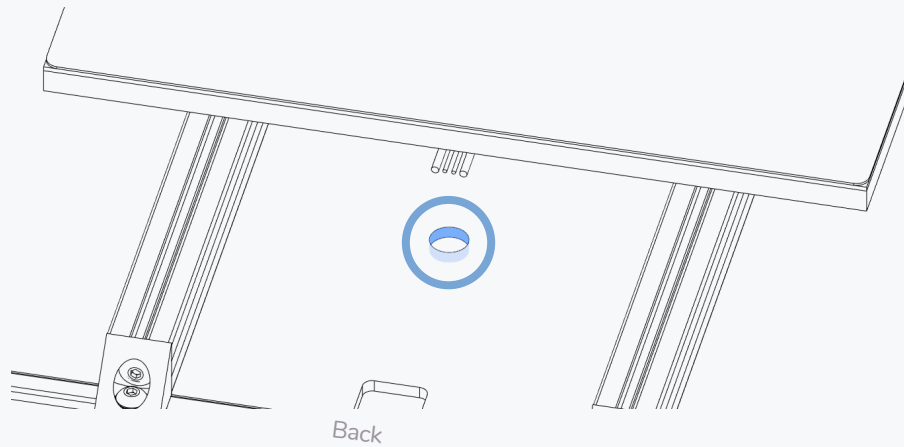
BED AND SPACER THICKNESS

Depending on the combination of bed and spacer thickness you may need to use longer bolts to secure the bed.

DON'T TIGHTEN

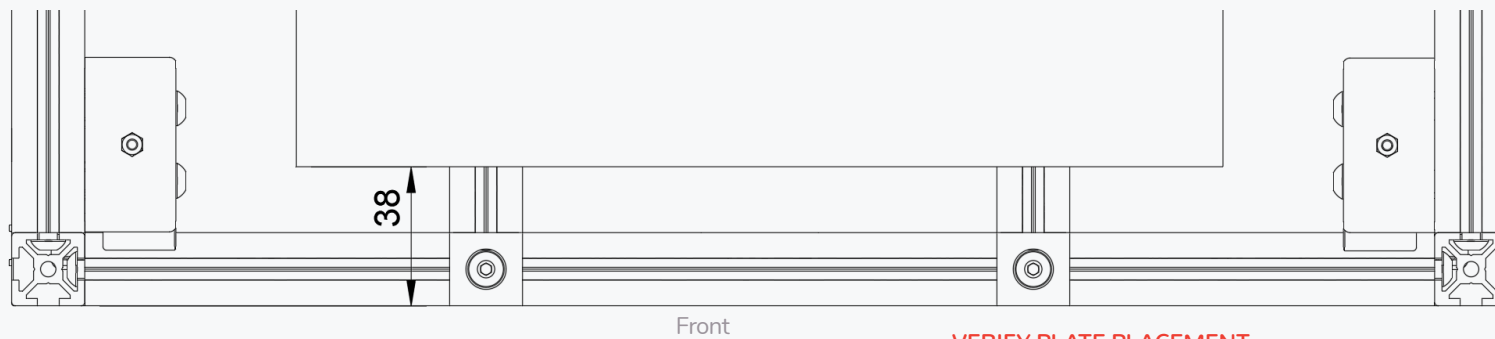
Only tighten one bolt fully.
Leave the remaining bolts slightly loose.
This will allow for thermal expansion without putting additional stress on the plate.





WIRE PASSTHROUGH

Feed the bed related wires through the opening in the deck plate.

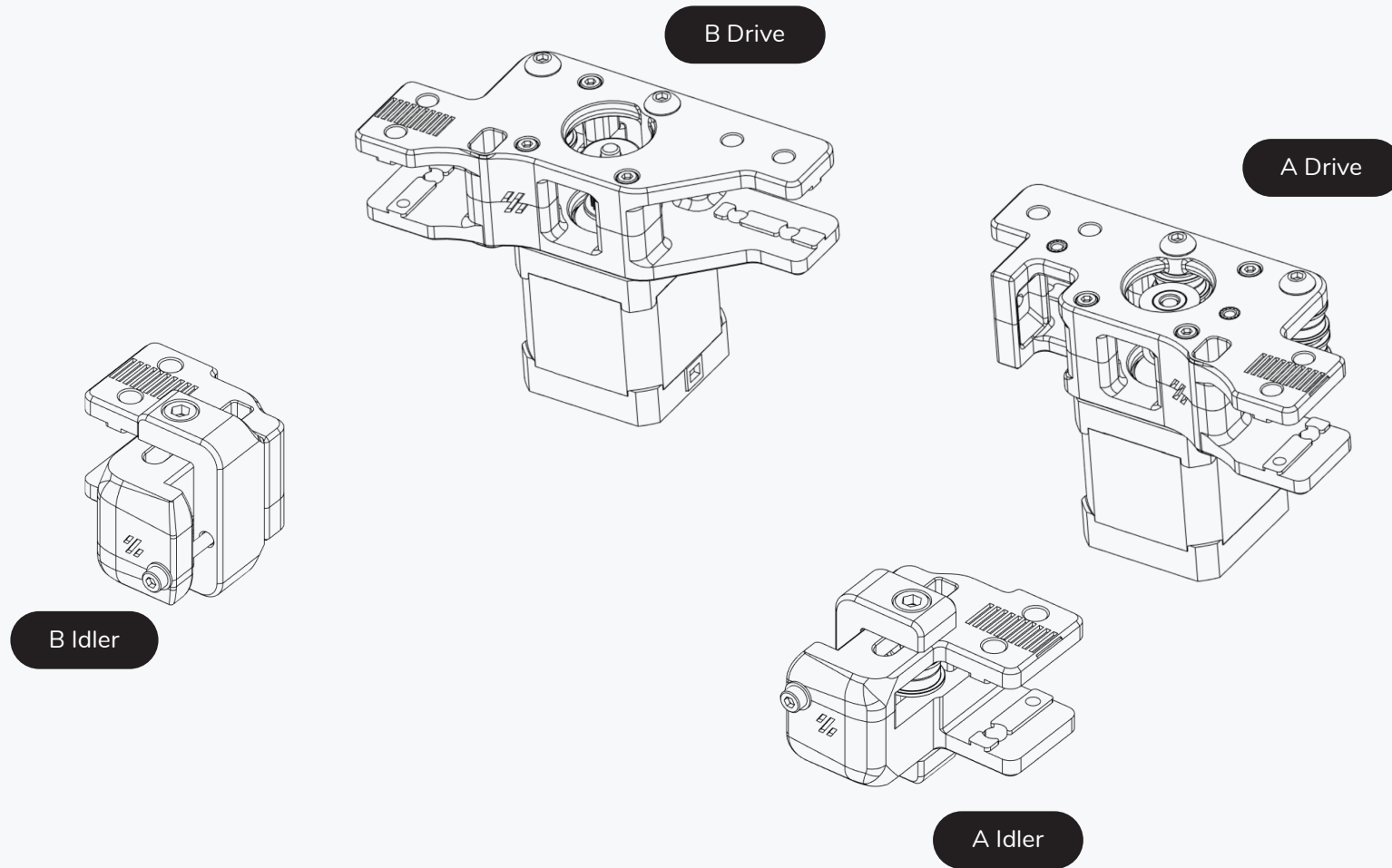


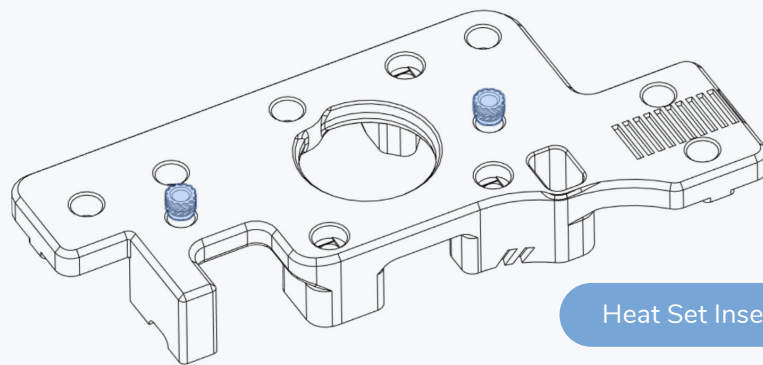
VERIFY PLATE PLACEMENT

The front edge of the print plate should sit 38mm behind the front edge of the frame.

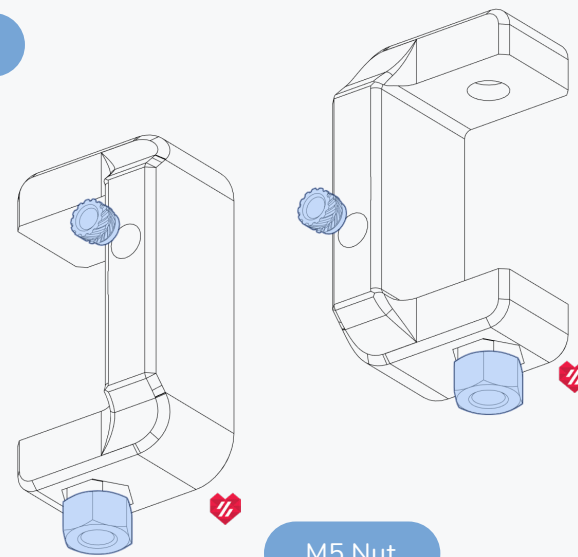
The Voron Legacy is a modernized design true to the spirit of the original Voron 1.0.







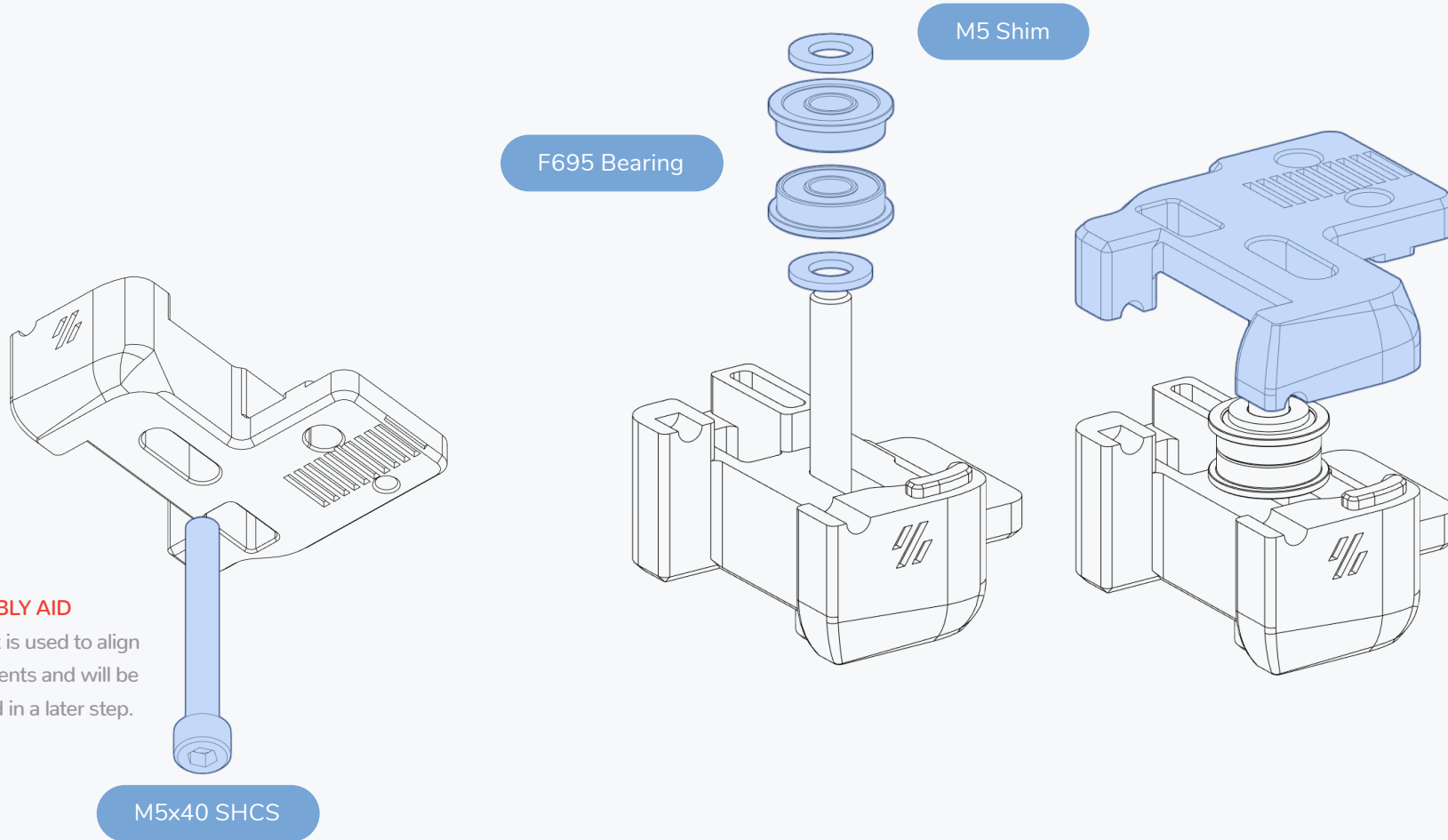
Heat Set Insert

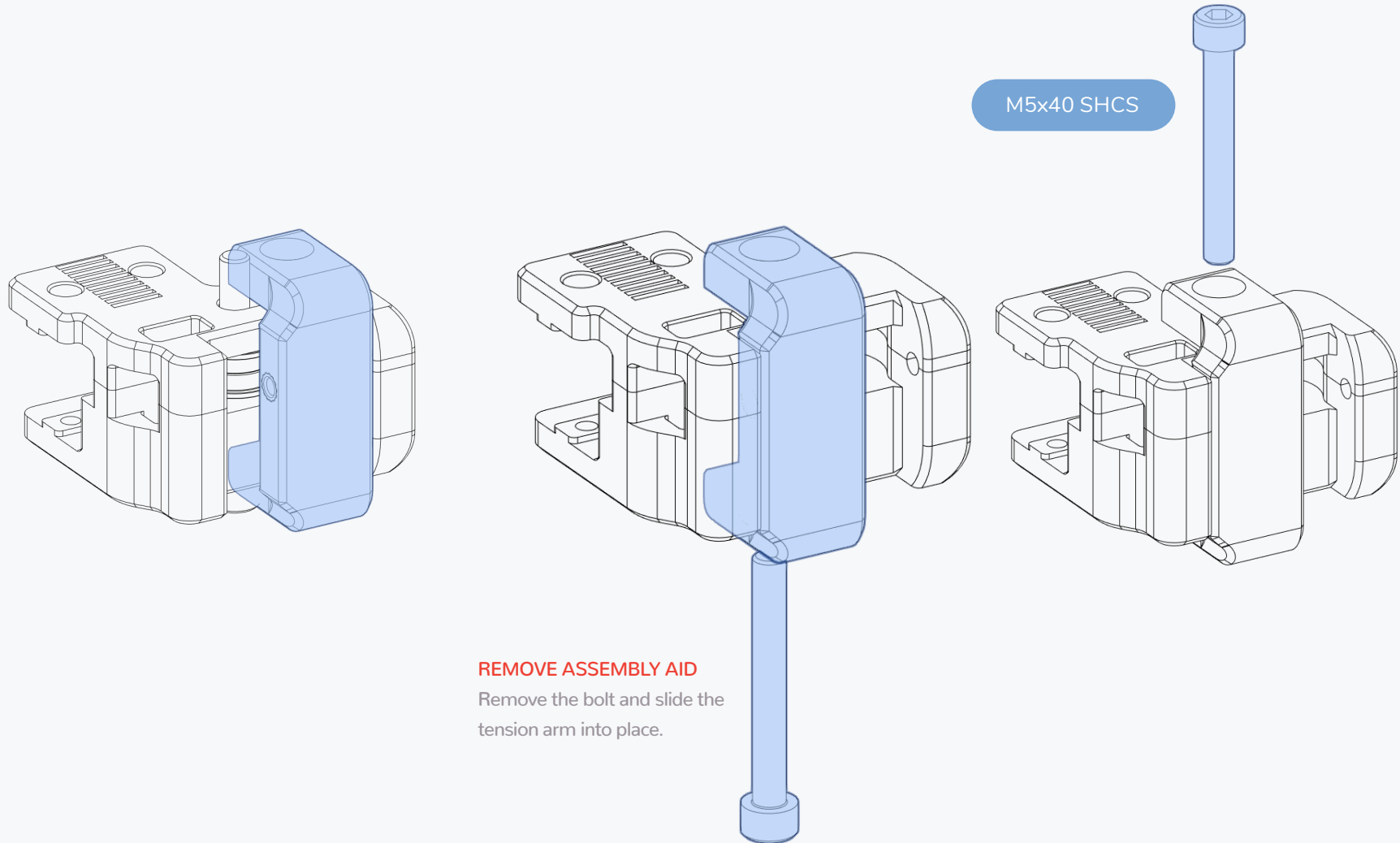


M5 Nut

ASSEMBLY AID

This bolt is used to align components and will be removed in a later step.



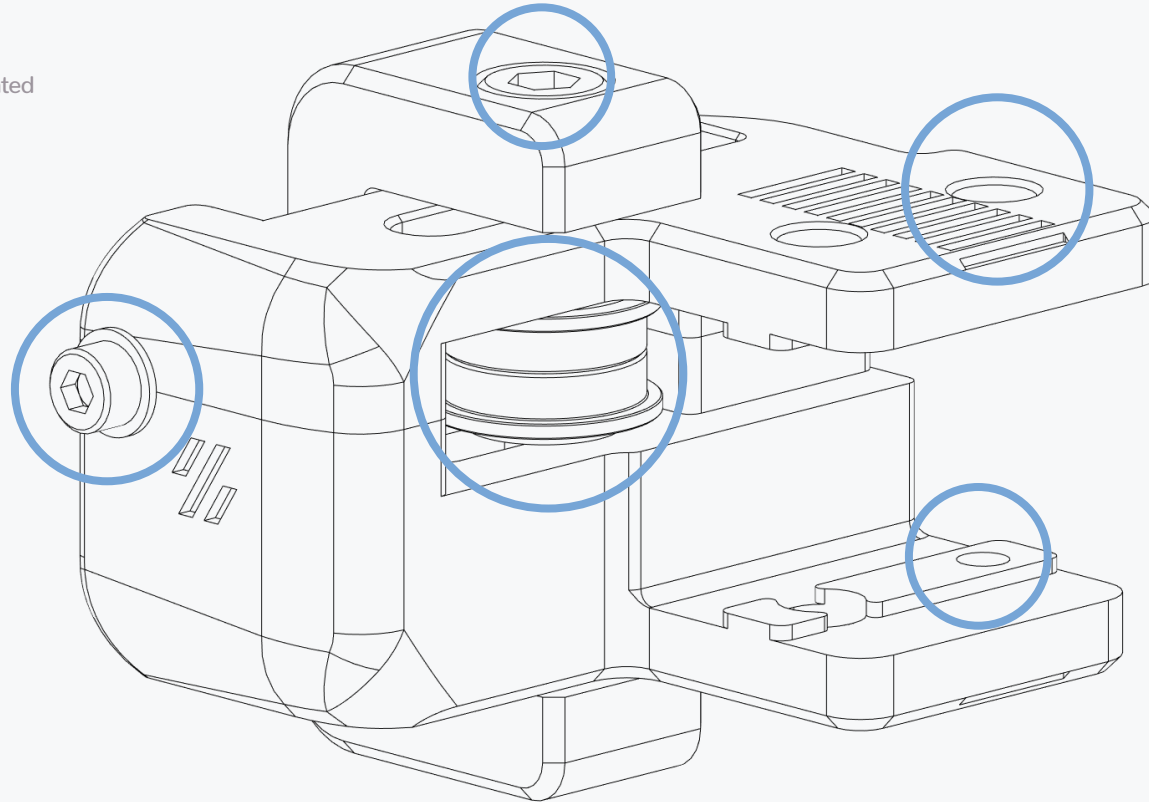


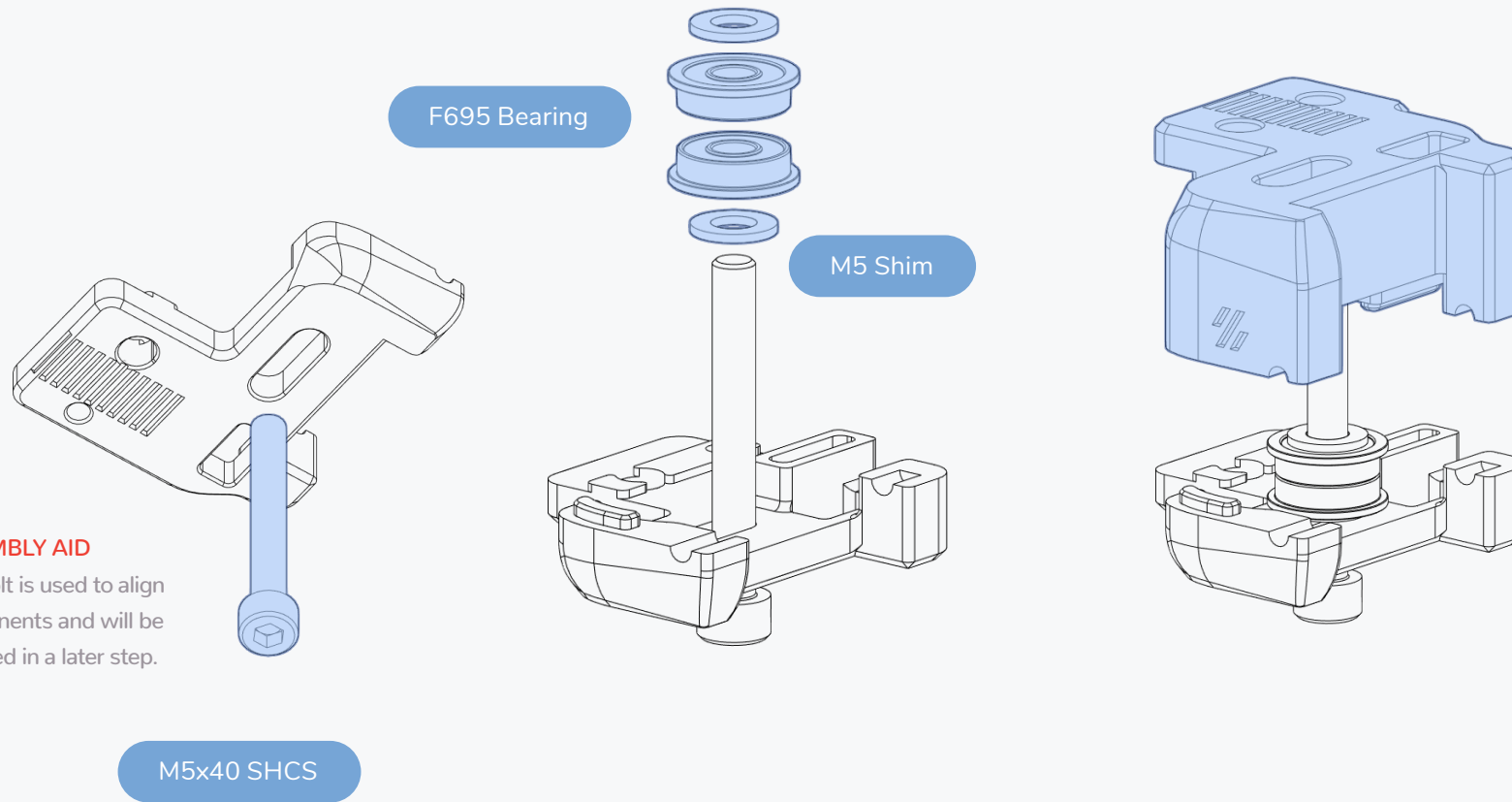
REMOVE ASSEMBLY AID
Remove the bolt and slide the
tension arm into place.



CHECK YOUR WORK

Compare your assembled parts to the graphics shown here. Pay attention to the features highlighted by the circles.



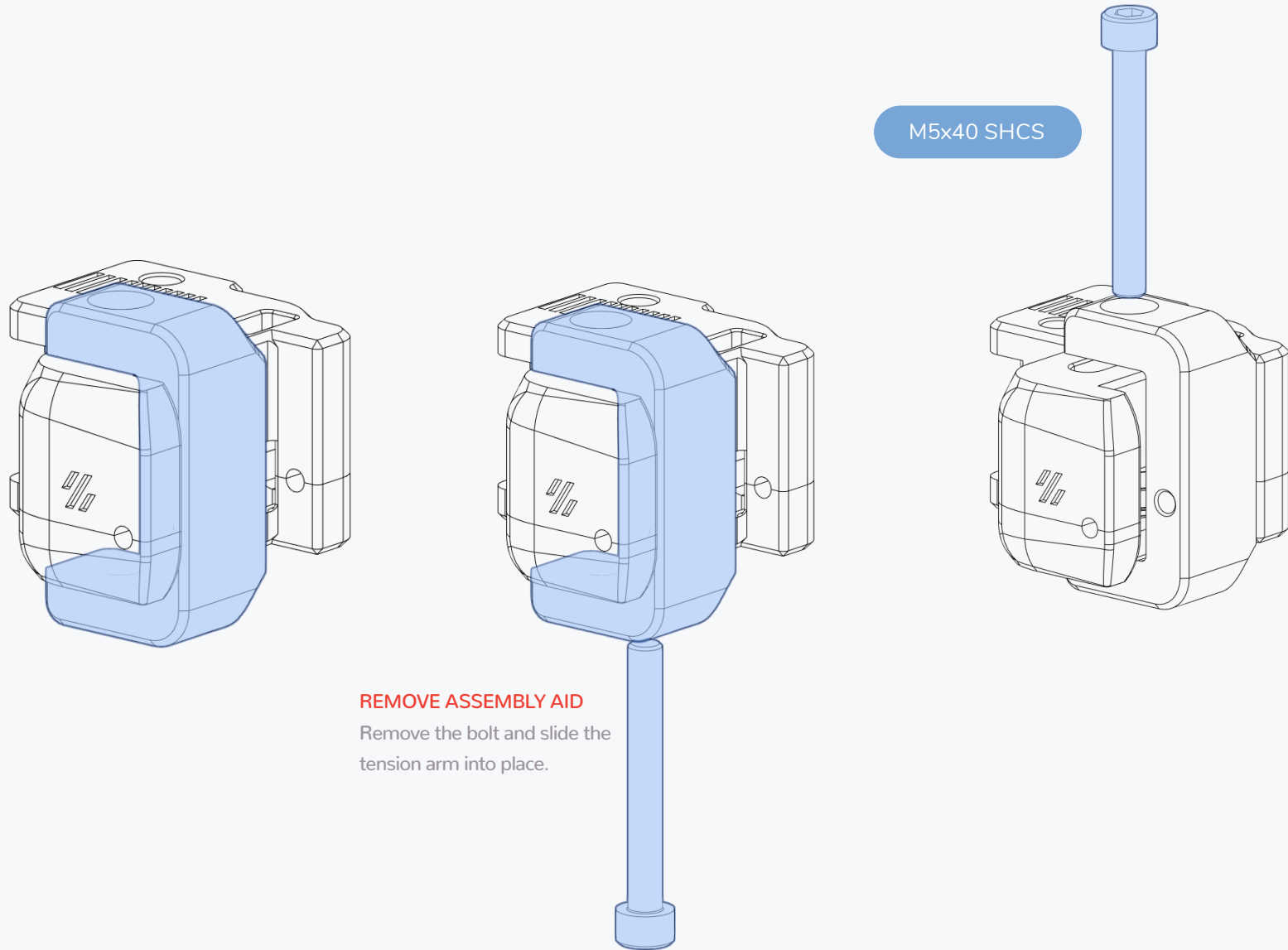


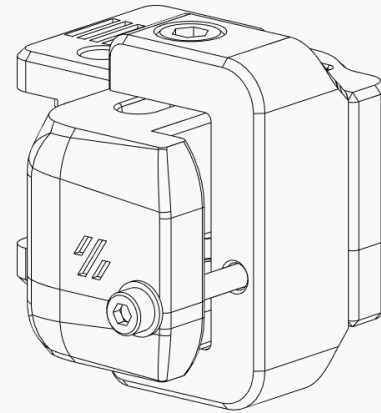
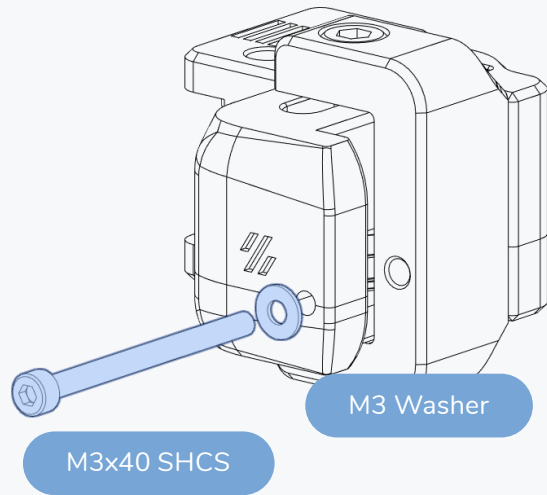
F695 Bearing

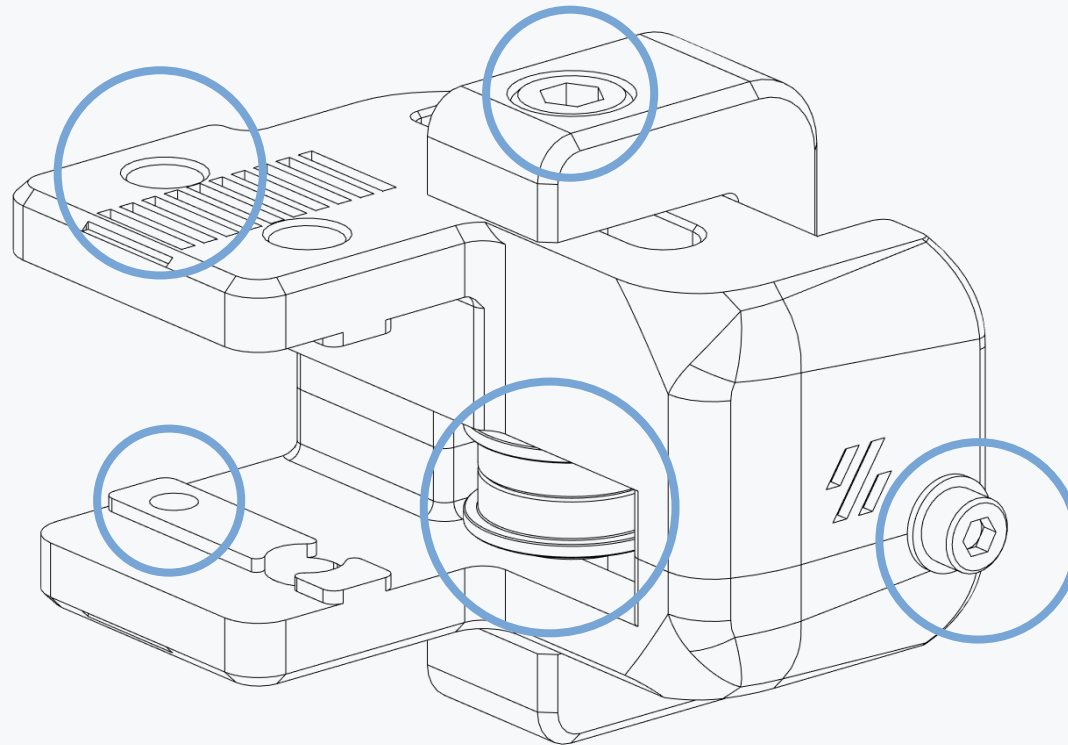
M5 Shim

M5x40 SHCS

ASSEMBLY AID
This bolt is used to align components and will be removed in a later step.

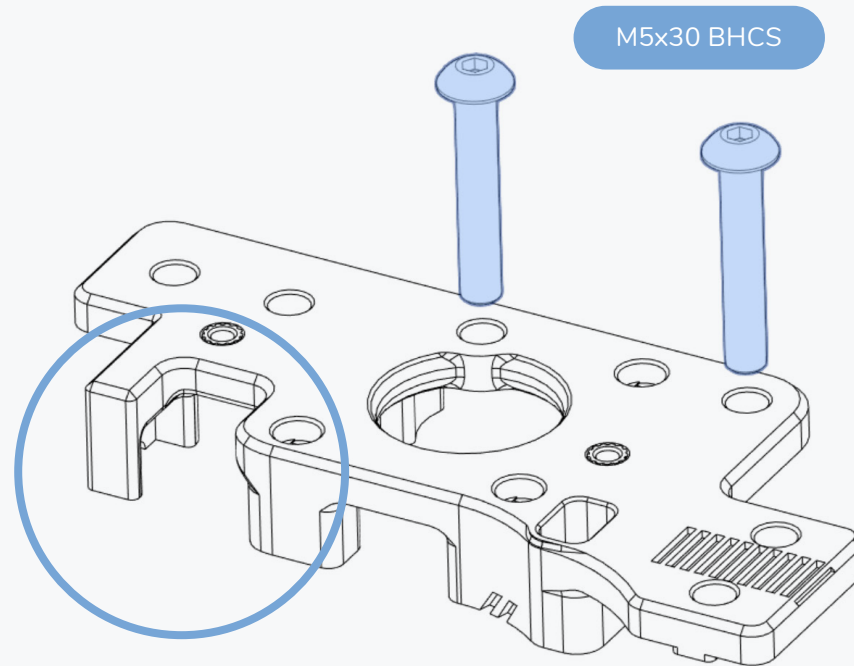






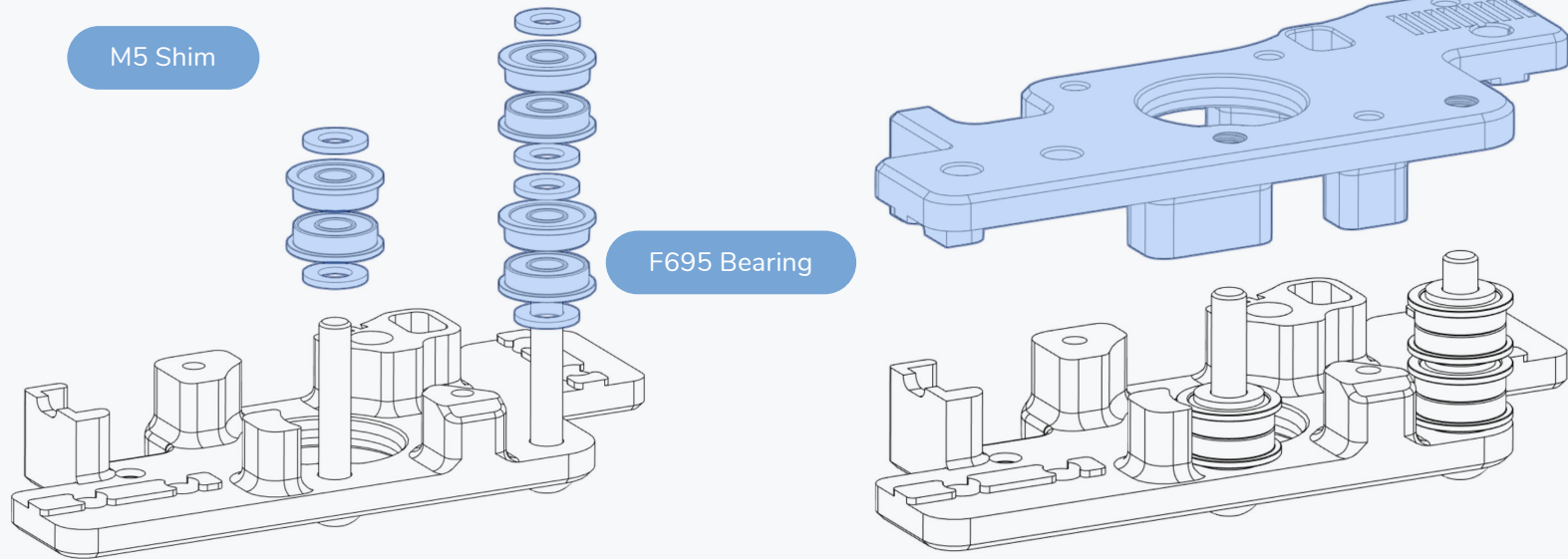
CHECK YOUR WORK

Compare your assembled parts to the graphics shown here. Pay attention to the features highlighted by the circles.



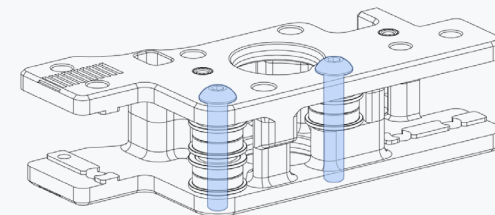
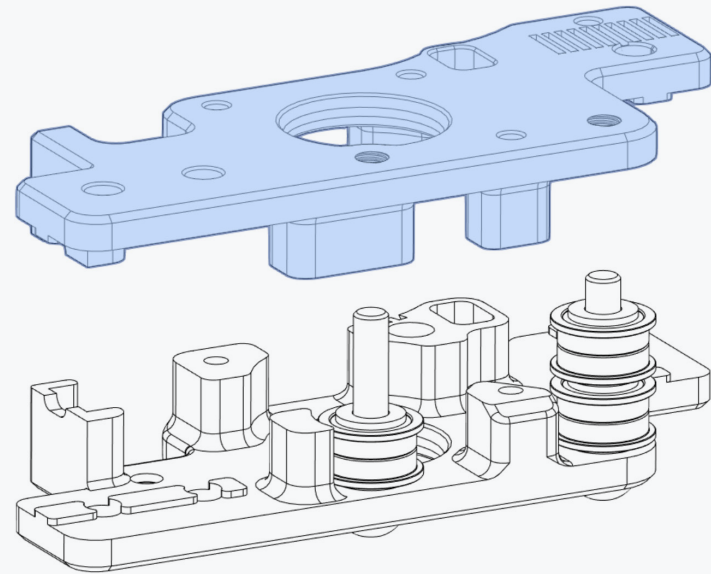
CUTOUT

The printed parts for the A drive have a cutout.



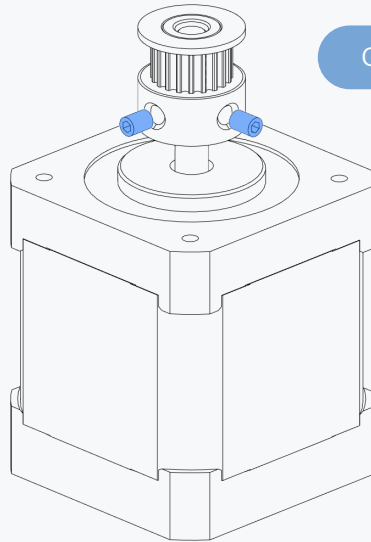
UPSIDE DOWN ASSEMBLY

For ease of assembly we recommend to assemble the A and B drives upside down.



DON'T OVER TIGHTEN

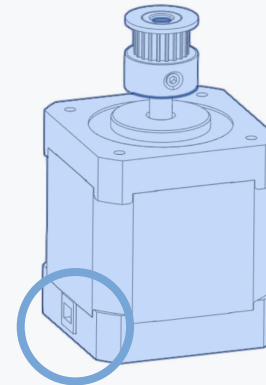
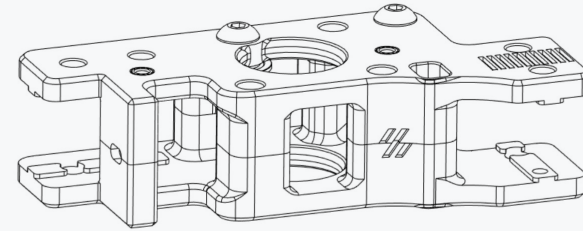
The M5 bolts are threaded directly into plastic.



GT2 20 Tooth Pulley

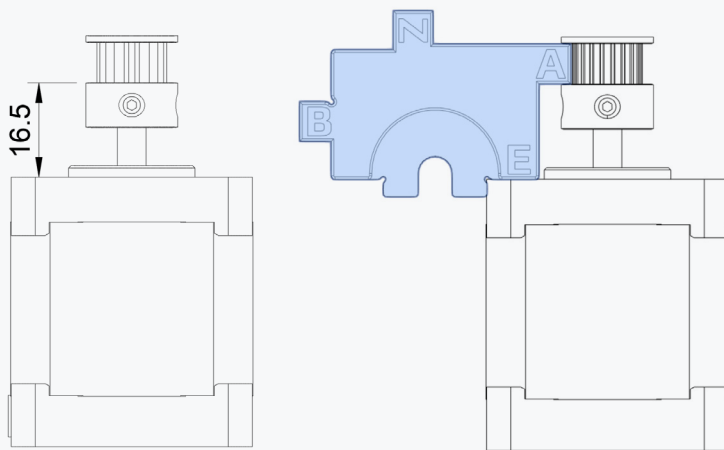
APPLY THREAD LOCKER

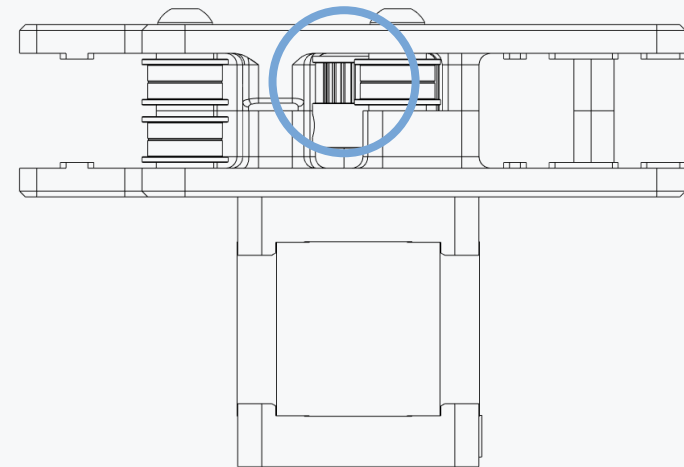
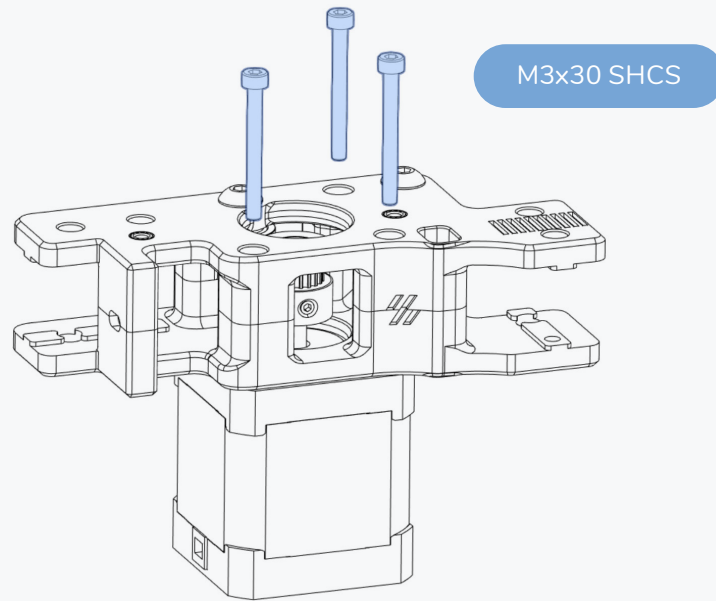
Make sure to use thread locker on the set screws.



MOTOR ORIENTATION

Pay attention to the orientation of the cable exit. The wires from the motors will be pointing towards each other once fully assembled.

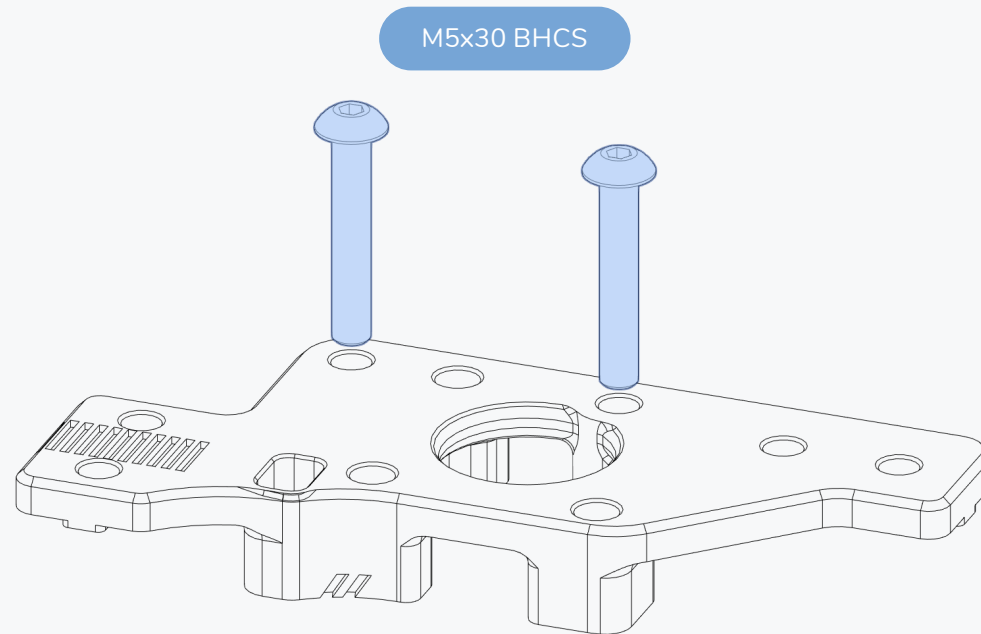


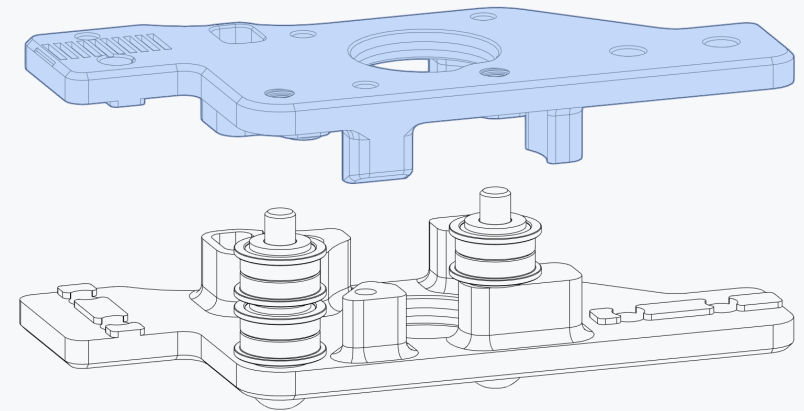
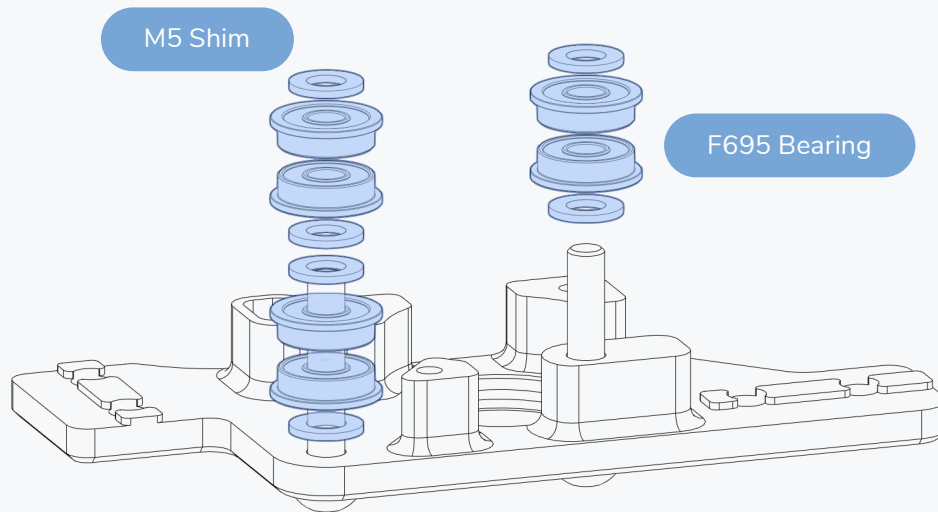


CHECK YOUR WORK

Compare your assembled part to the graphic shown here.

Pay attention to the pulley orientation and alignment with the bearing stack ups.



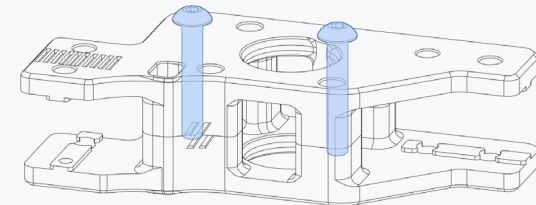


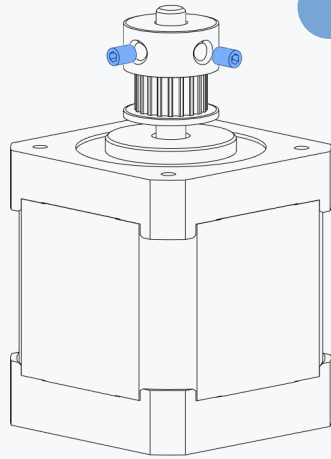
UPSIDE DOWN ASSEMBLY

For ease of assembly we recommend to assemble the A and B drives upside down.

DON'T OVER TIGHTEN

The M5 bolts are threaded directly into plastic.

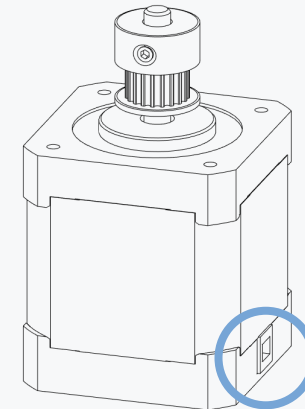
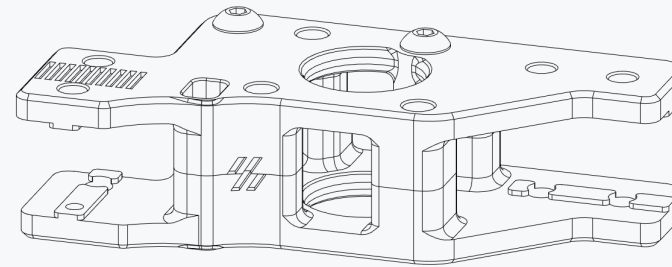




GT2 20 Tooth Pulley

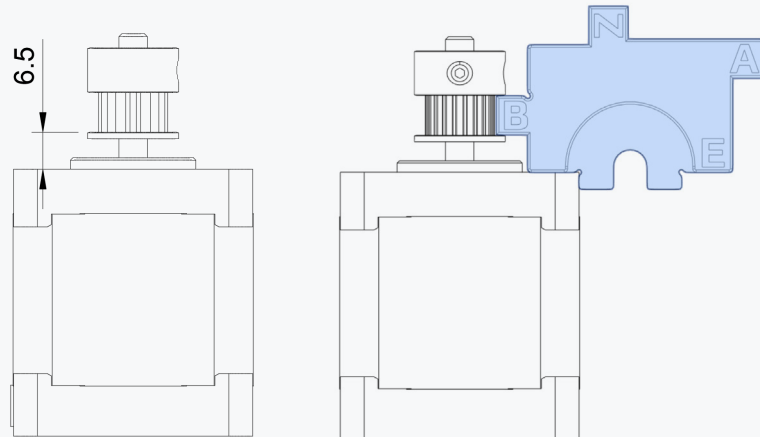
APPLY THREAD LOCKER

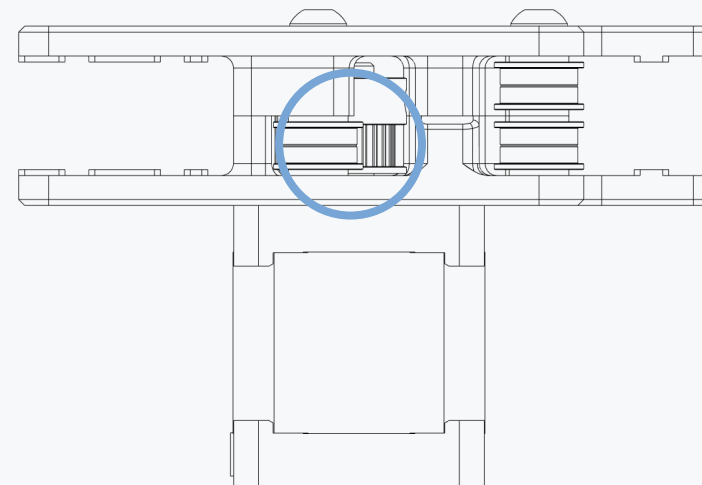
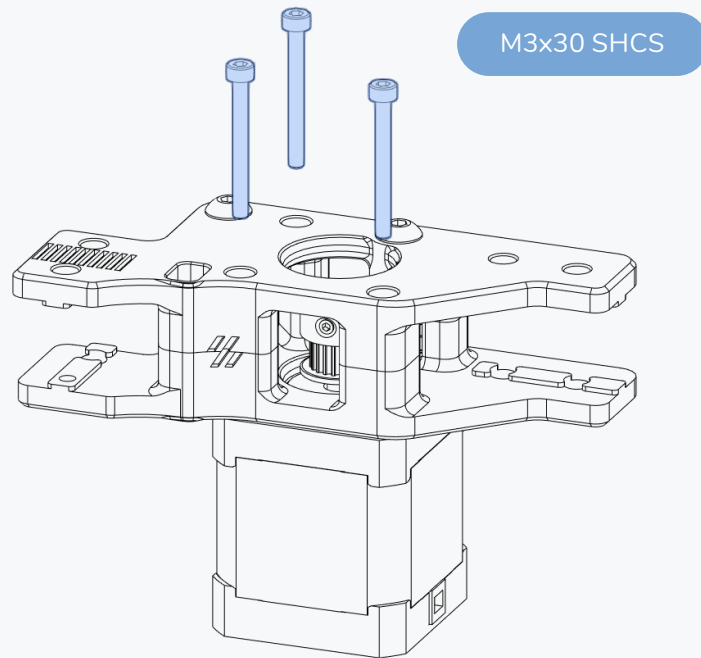
Make sure to use thread locker on the set screws.



MOTOR ORIENTATION

Pay attention to the orientation of the cable exit.



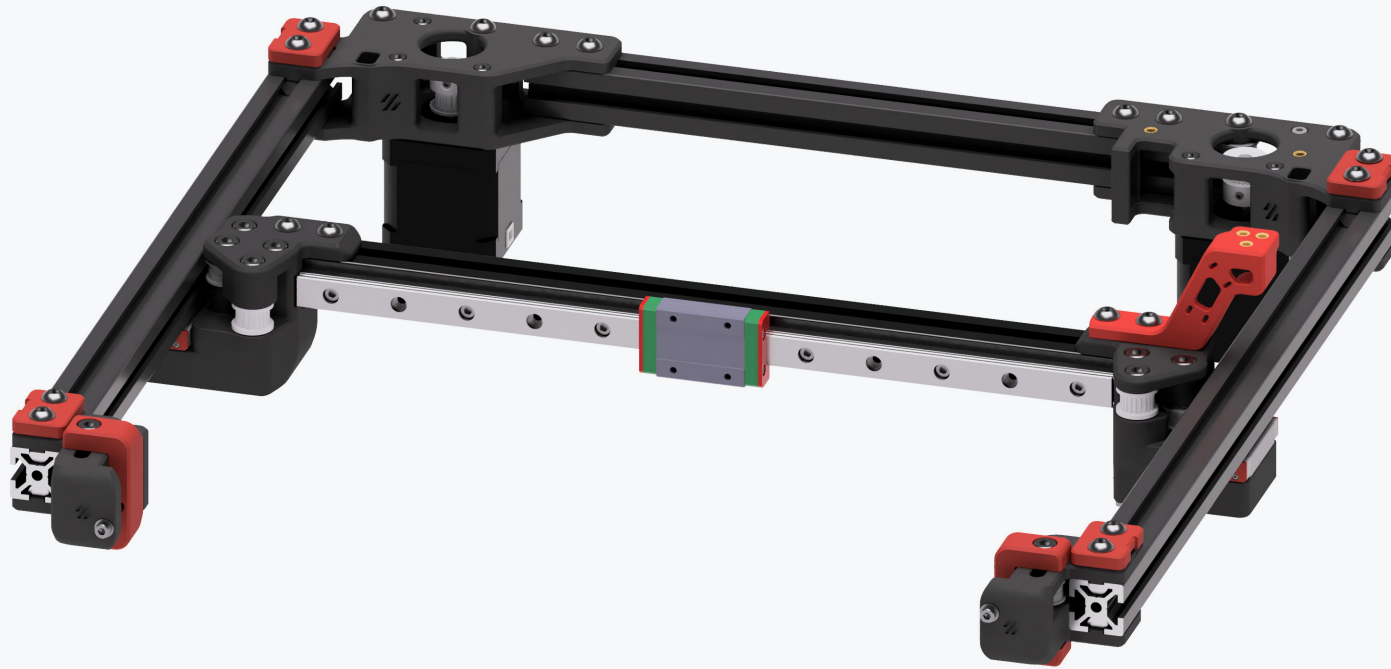


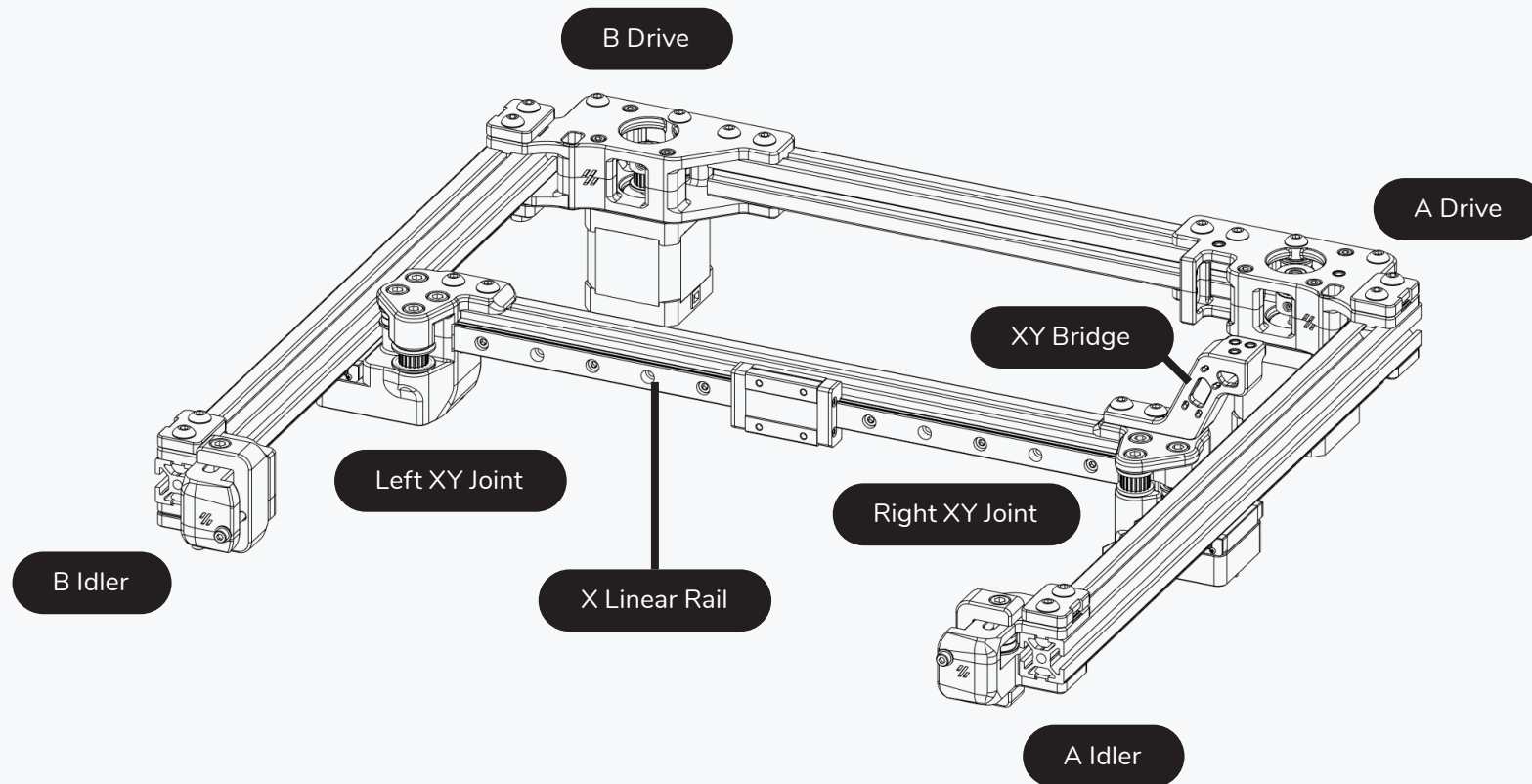
CHECK YOUR WORK

Compare your assembled part to the graphic shown here.

Pay attention to the pulley orientation and alignment with the bearing stacks.

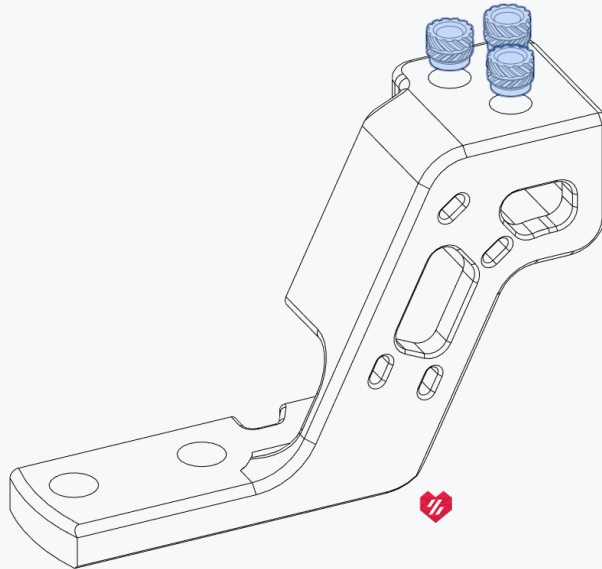
V24 (not V2.4) was an experimental design, only 2 have ever been built. It's design became the basis for the Voron2.





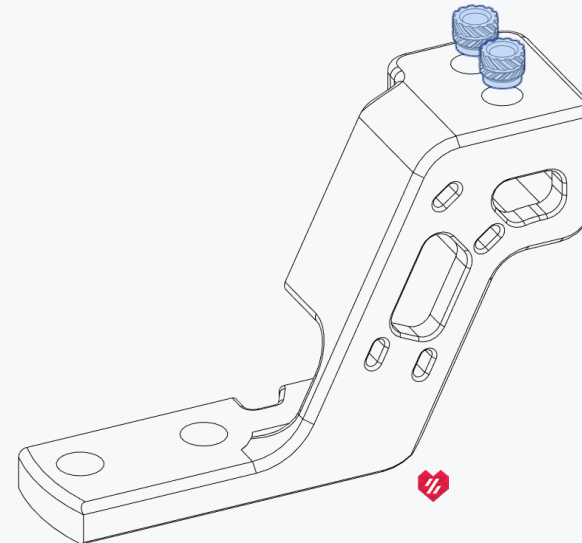
GENERIC CABLE CHAINS

The 3 hole pattern is usually found on generic cable chains.



IGUS CABLE CHAINS

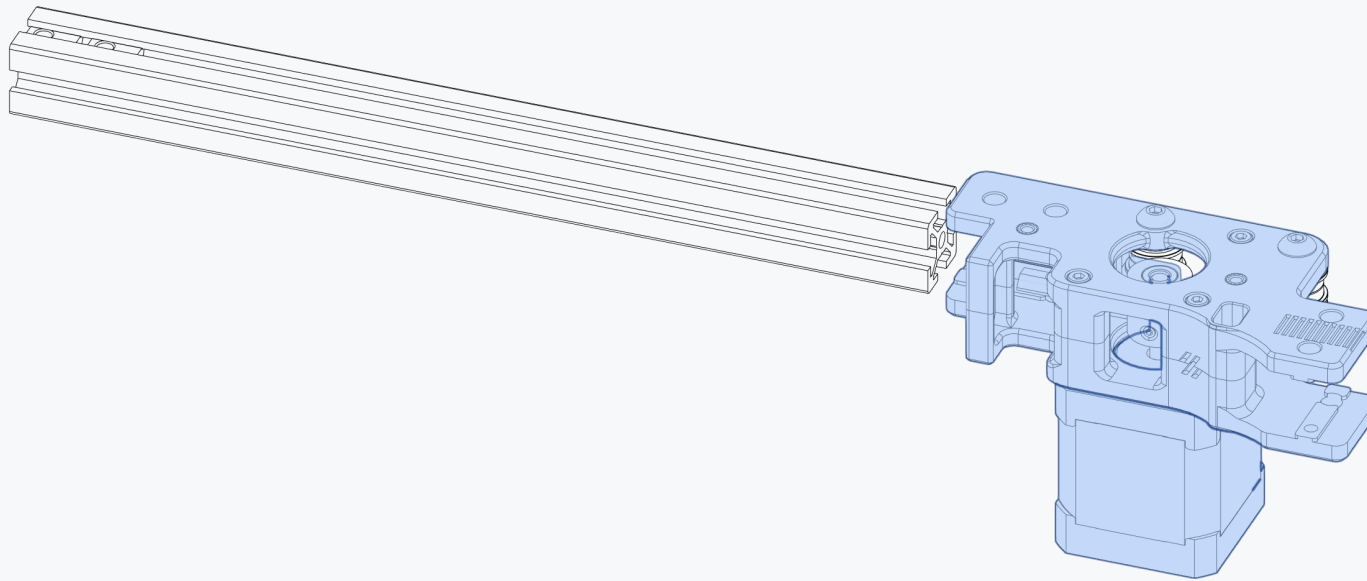
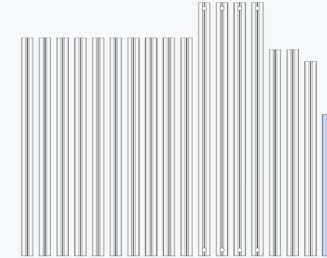
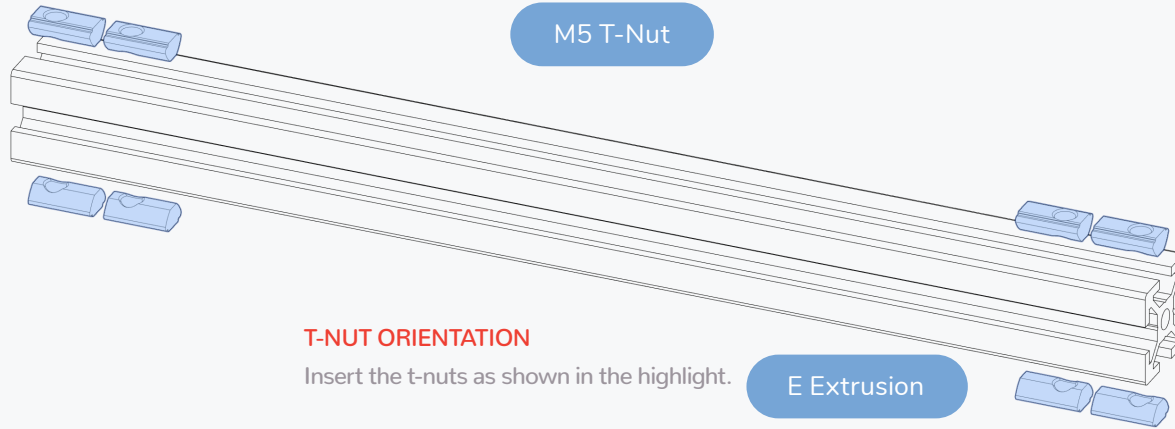
IGUS chains have 2 mounting holes.

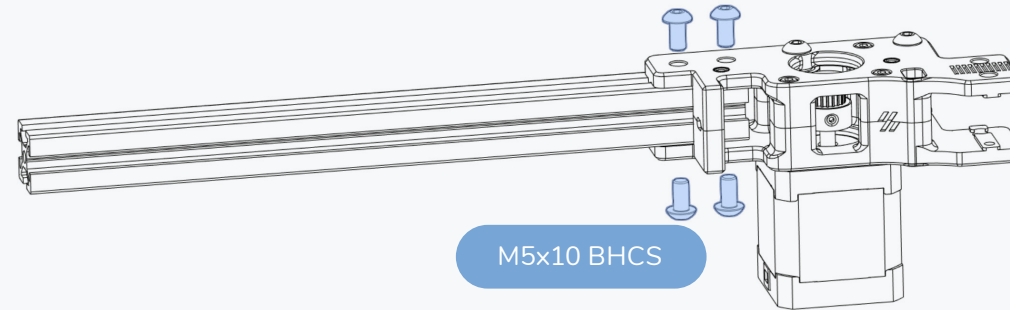


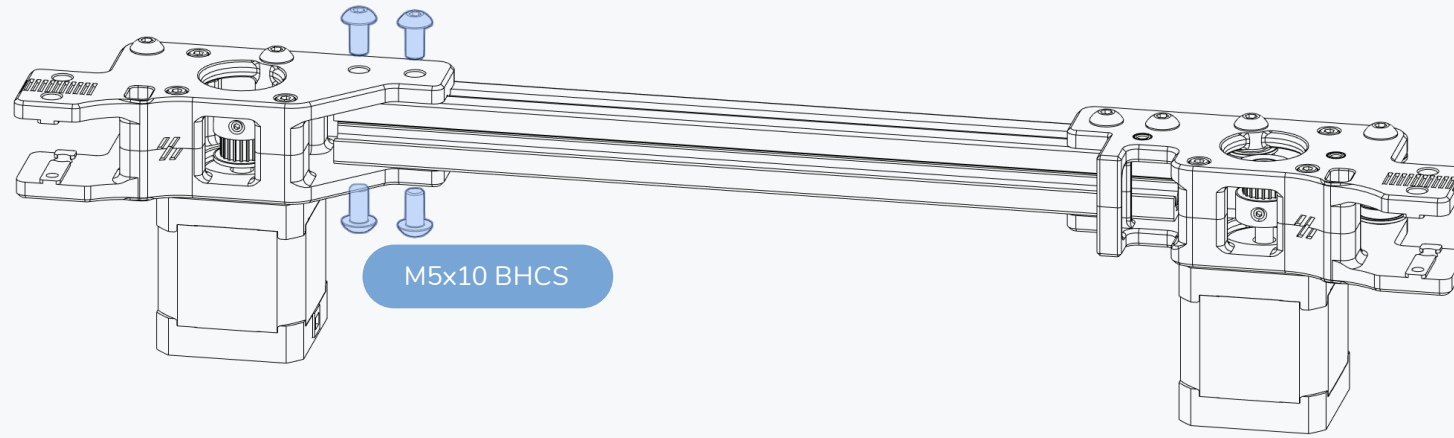
WHICH TO CHOOSE?

Pick the style that matches the mounting pattern of your cable chains.

GANTRY

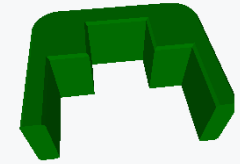






CENTRED RAIL INSTALLATION GUIDE

Use the MGN9 guides to position the rail in the centre of the extrusion prior to fastening the screws.



MGN9 Rail

T-NUT ORIENTATION

Insert the t-nuts as shown in the highlight.

M3 T-Nut

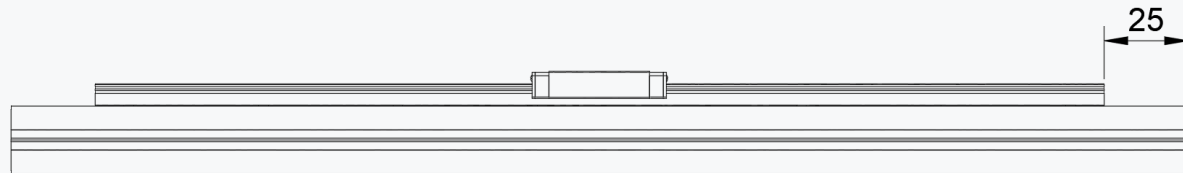
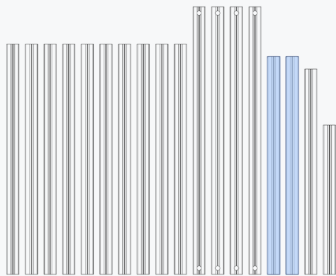
C Extrusion

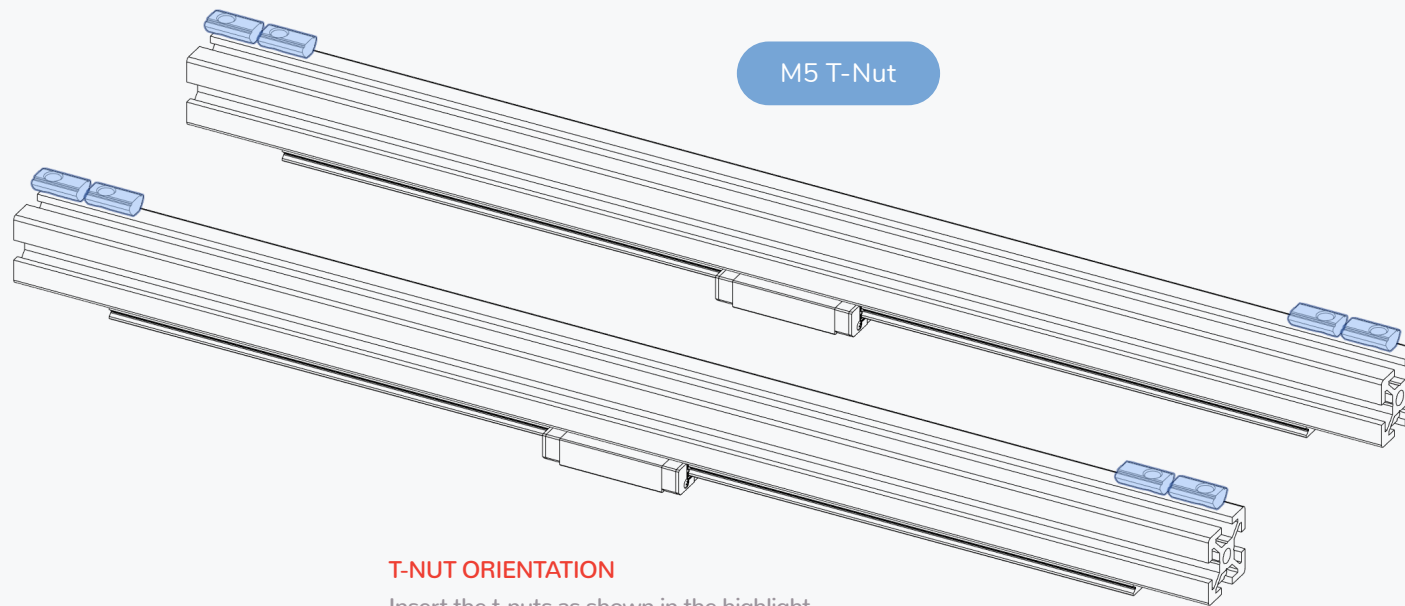
M3x8 SHCS

MIND THE CARRIAGE

The carriages are designed to slide along the rail easily. This unfortunately also includes sliding off the rails.

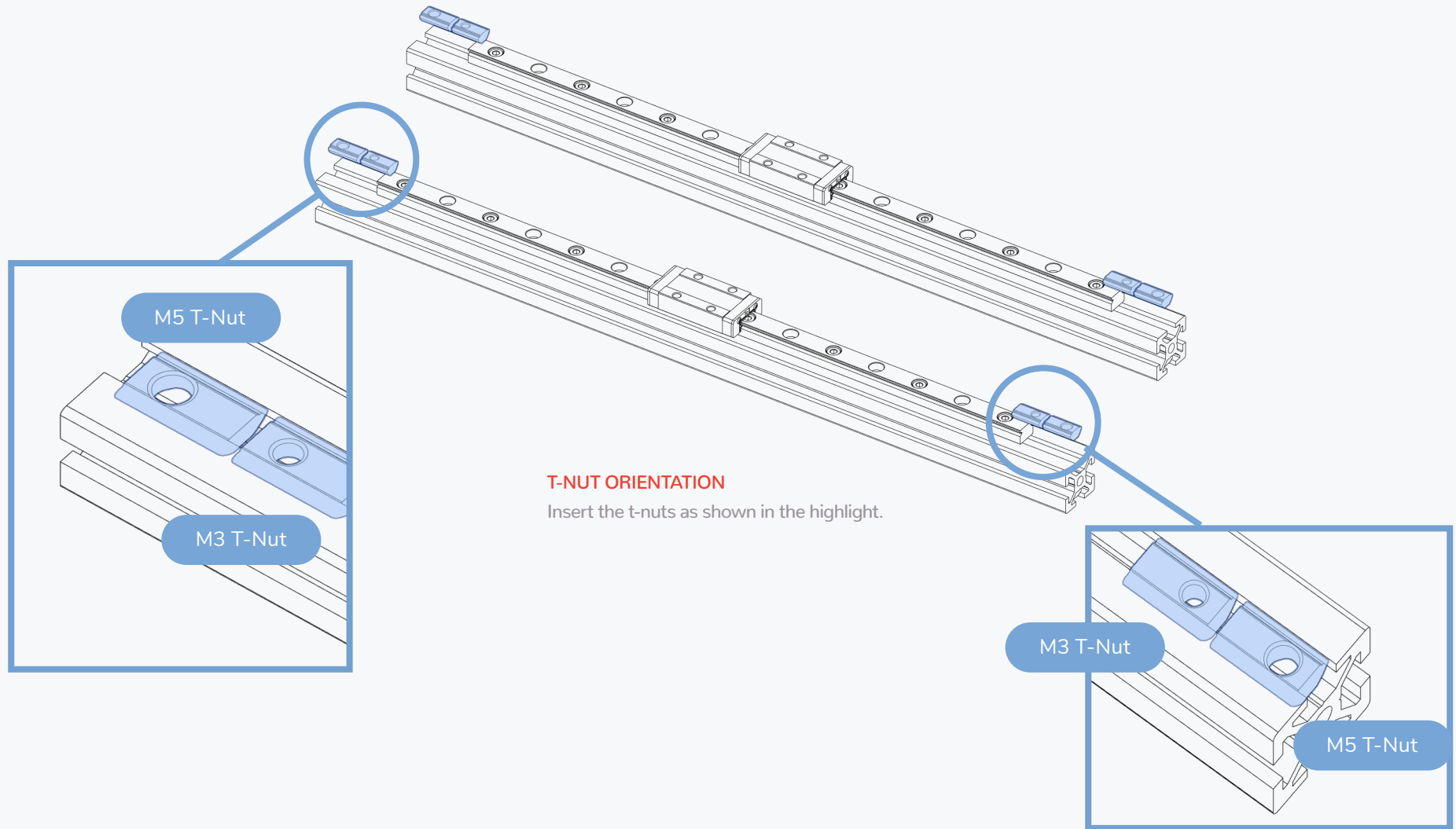
Dropping the carriage likely irreparably damages it.



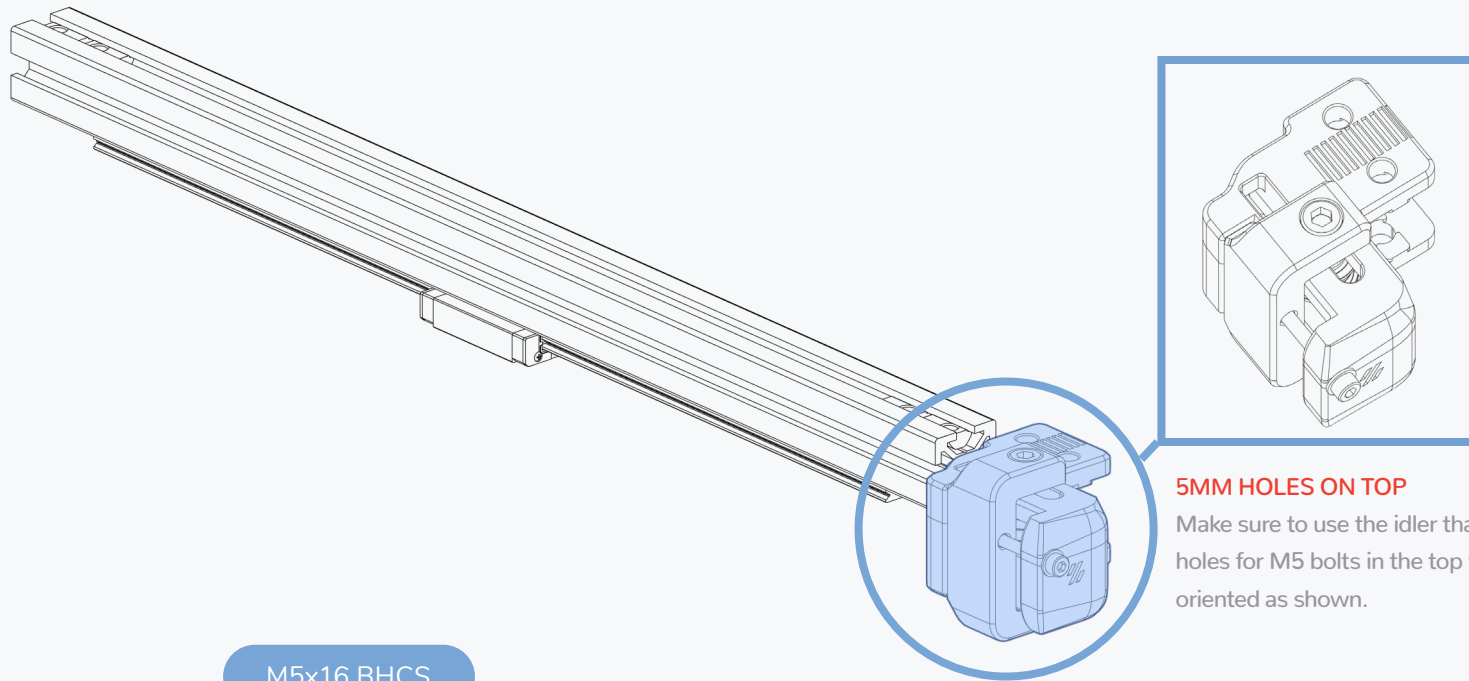


T-NUT ORIENTATION

Insert the t-nuts as shown in the highlight.



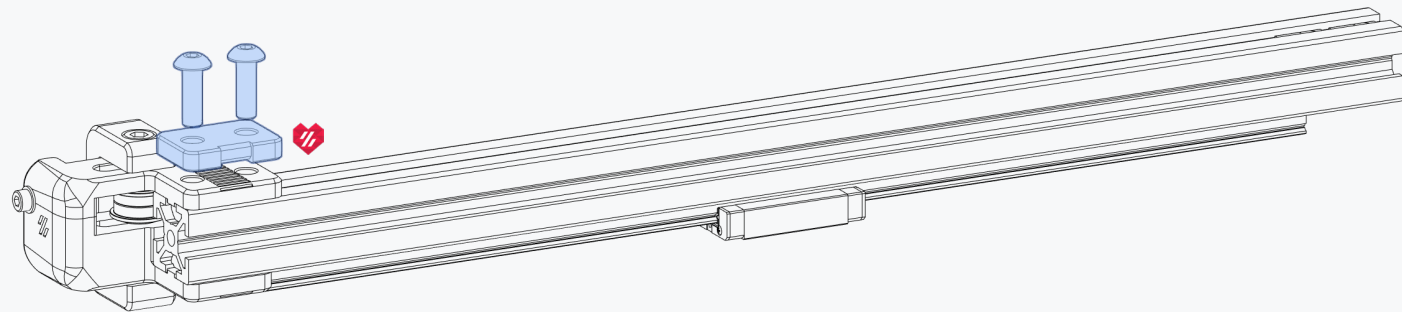
Y AXIS

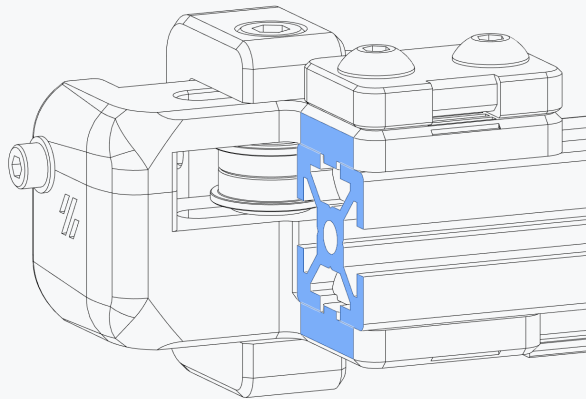


5MM HOLES ON TOP

Make sure to use the idler that has 2 holes for M5 bolts in the top when oriented as shown.

M5x16 BHCS



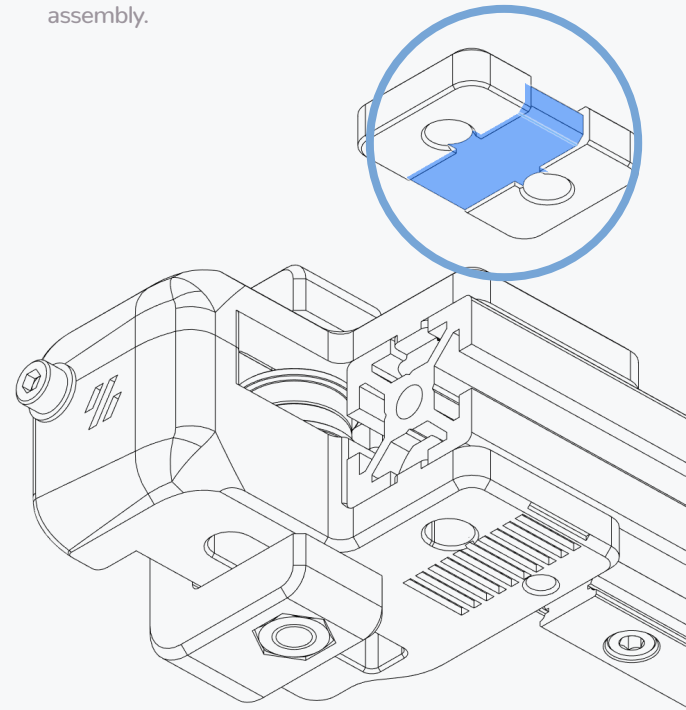


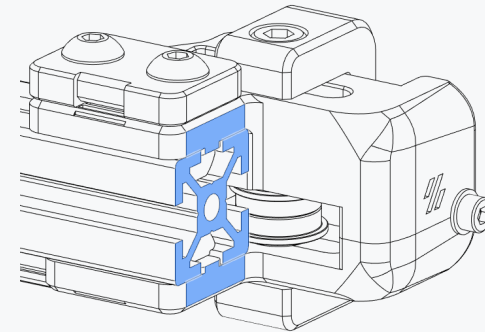
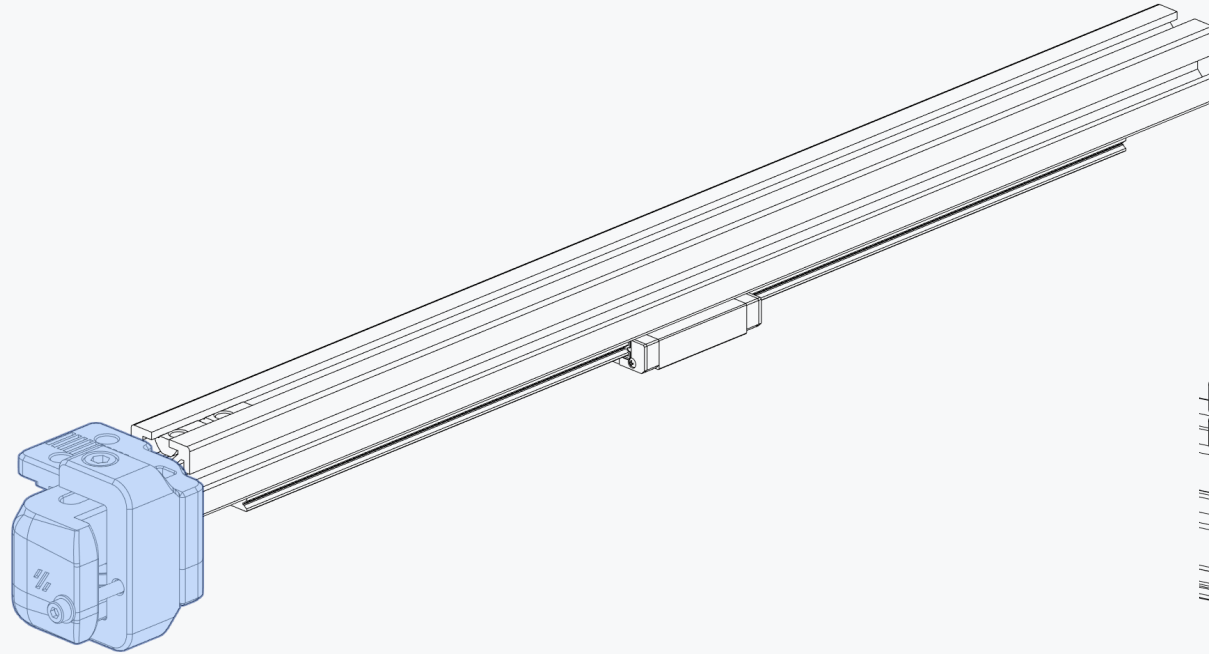
FLUSH INSTALL

Make sure the plastic part sits flush with the end of the extrusion. If not flush check if you installed the correct idler.

NOTCH ORIENTATION

The indentation along the part is designed to clamp on the belt. The notch points away from the idler assembly.

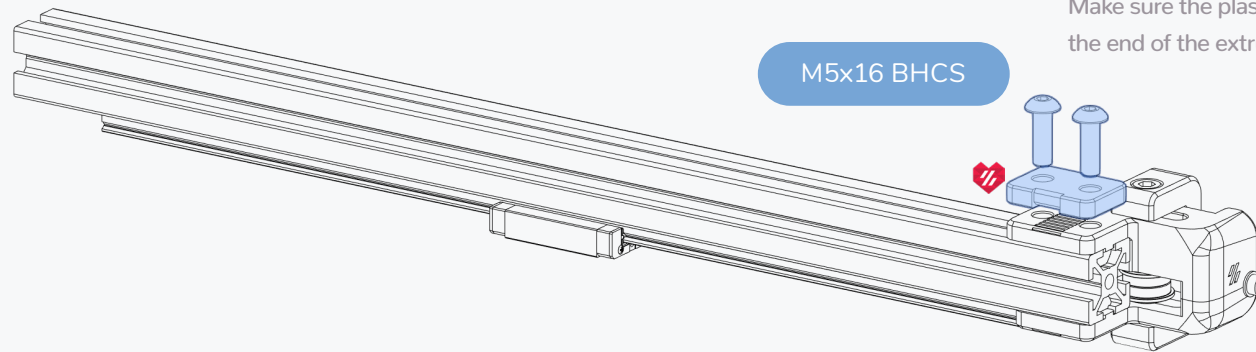


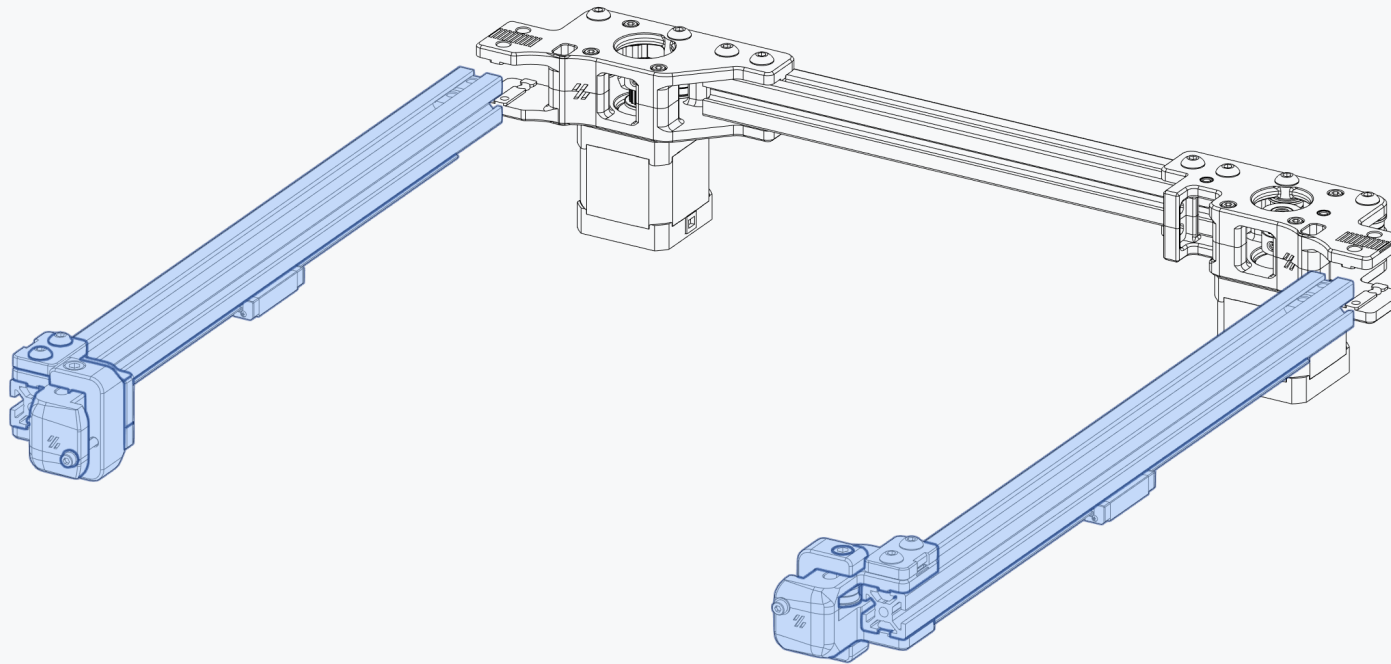


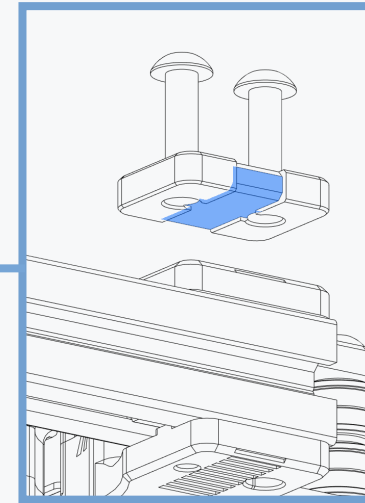
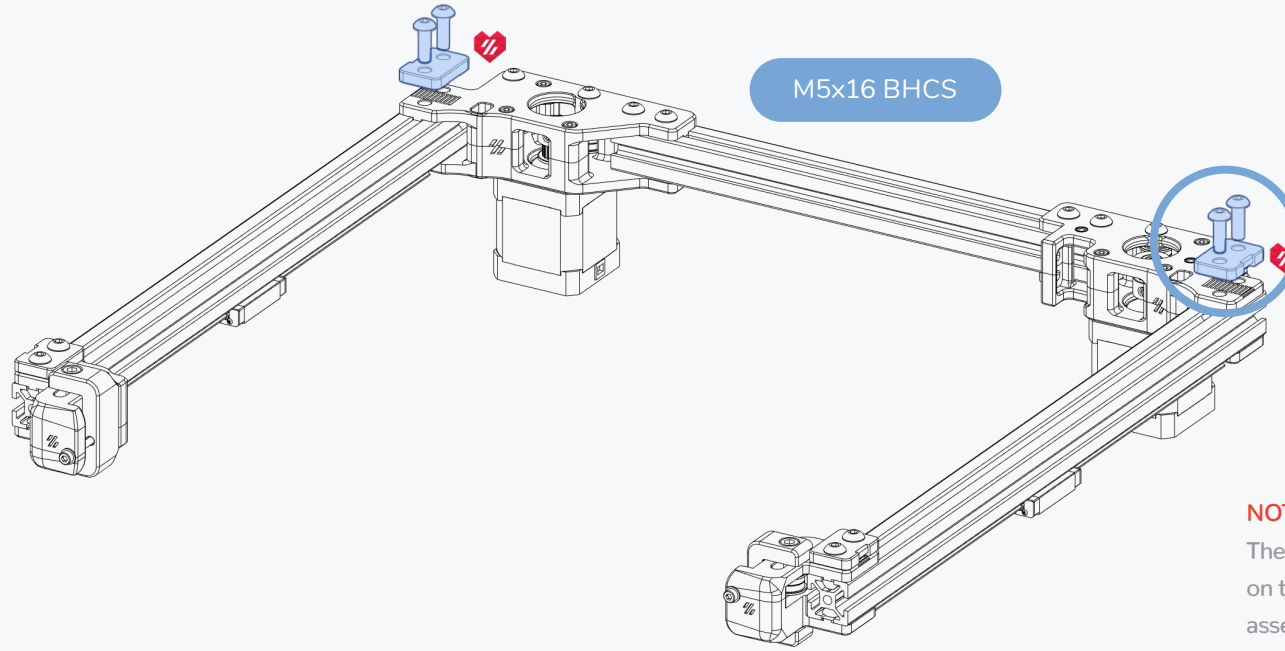
FLUSH INSTALL

Make sure the plastic part sits flush with the end of the extrusion.

M5x16 BHCS





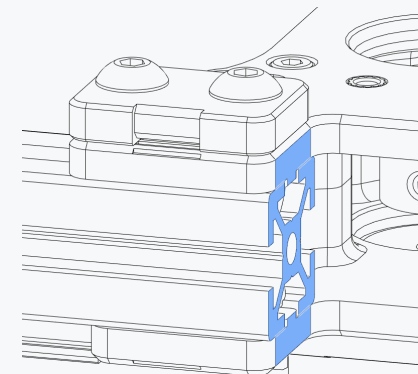


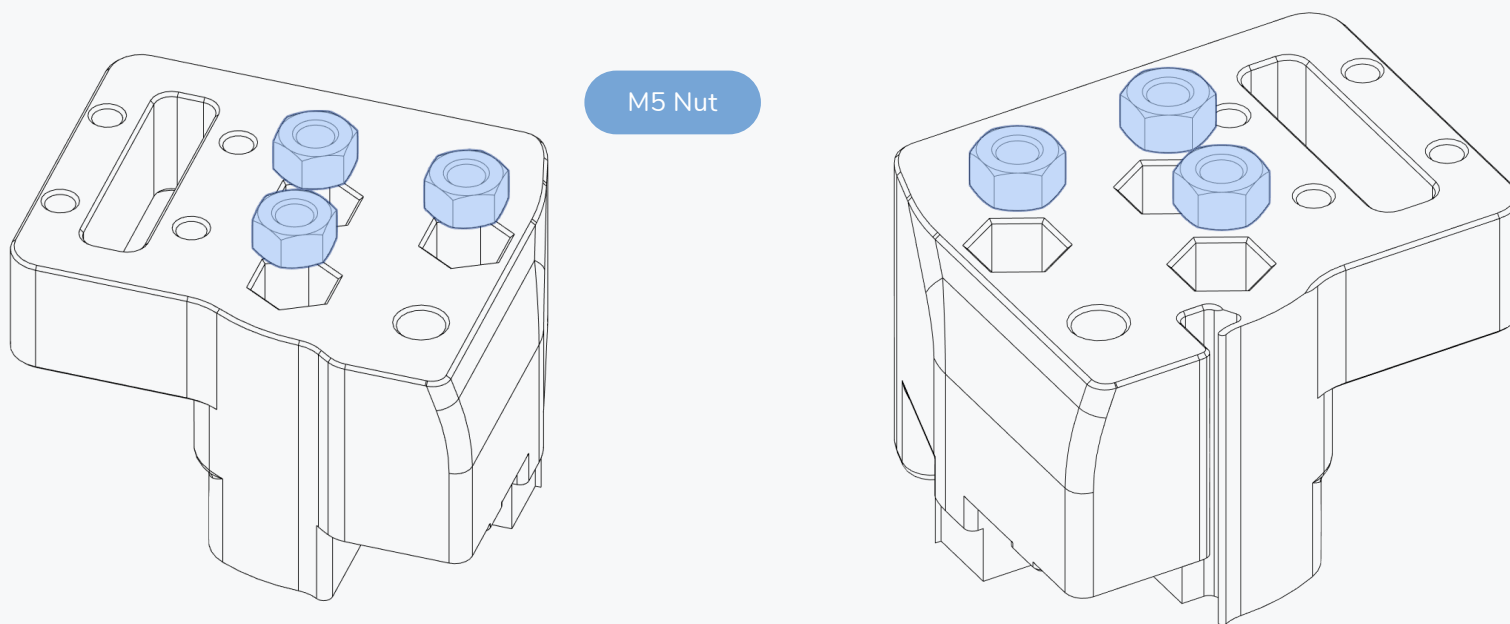
NOTCH ORIENTATION

The indentation along the part is designed to clamp on the belt. The notch points away from the drive assembly.

FLUSH INSTALL

Make sure the plastic part sits flush with the end of the extrusion.

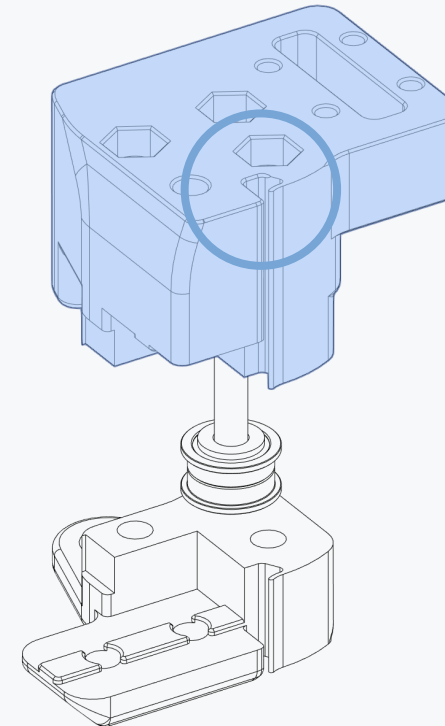
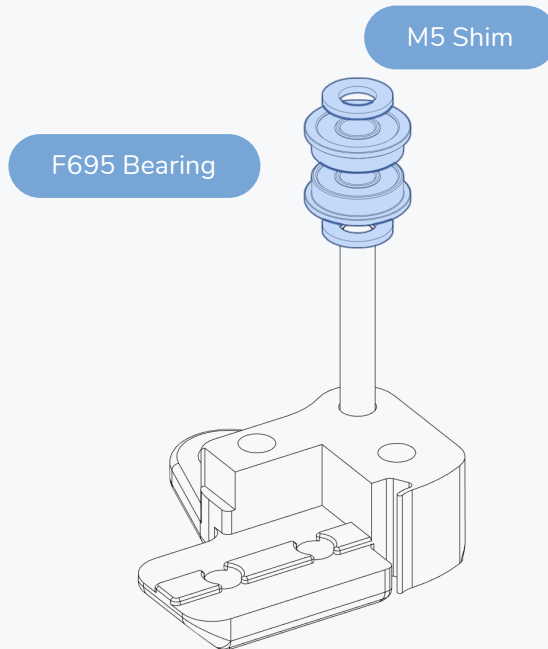
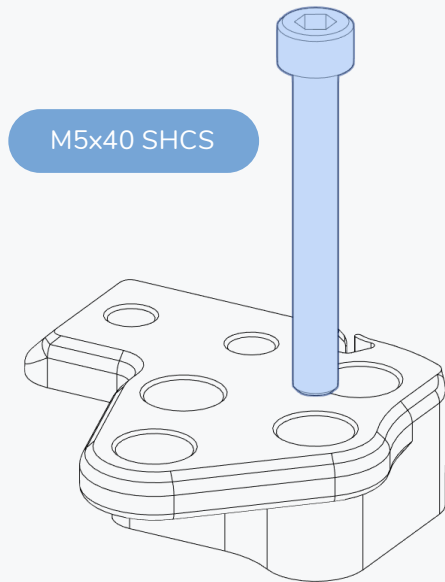
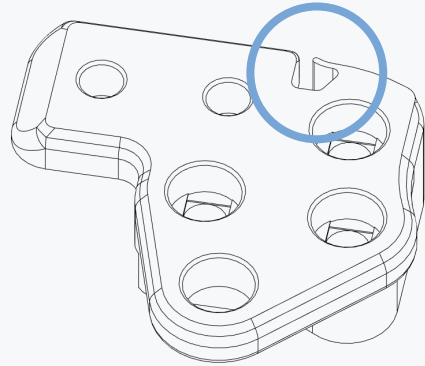


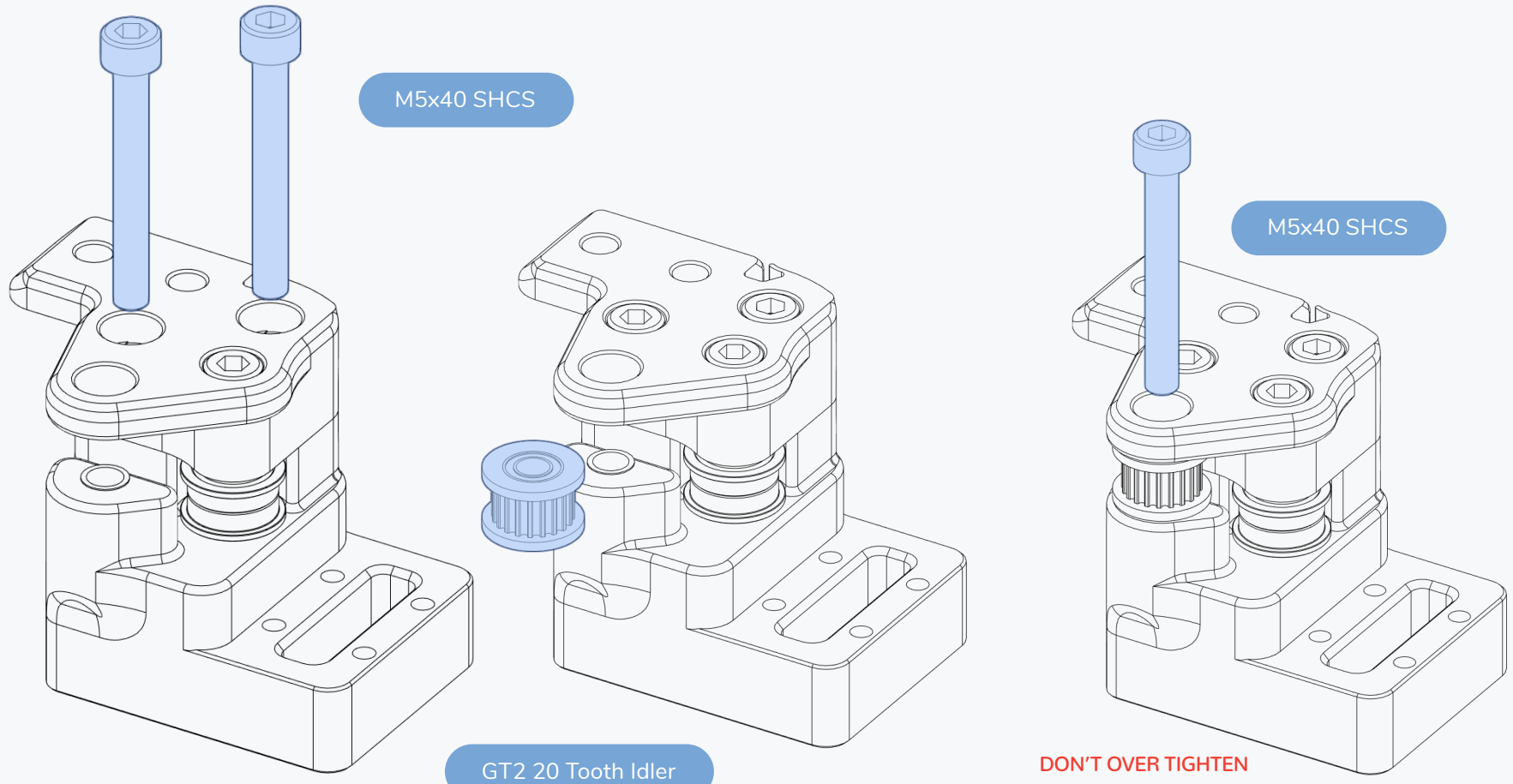


RIGHT XY JOINT

CABLE PATH

The printed parts for the right XY joint have a small channel to guide the end stop wires..





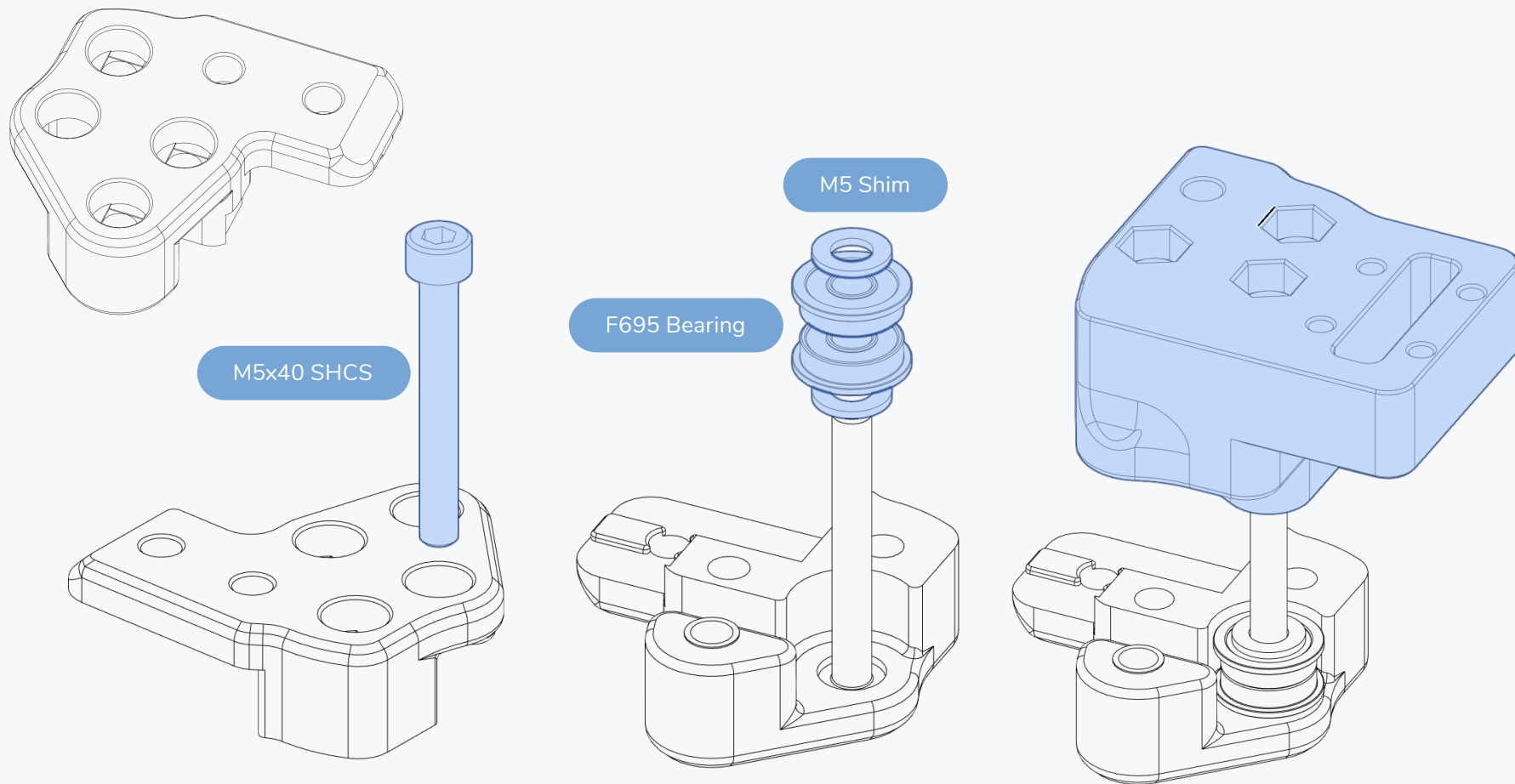
M5x40 SHCS

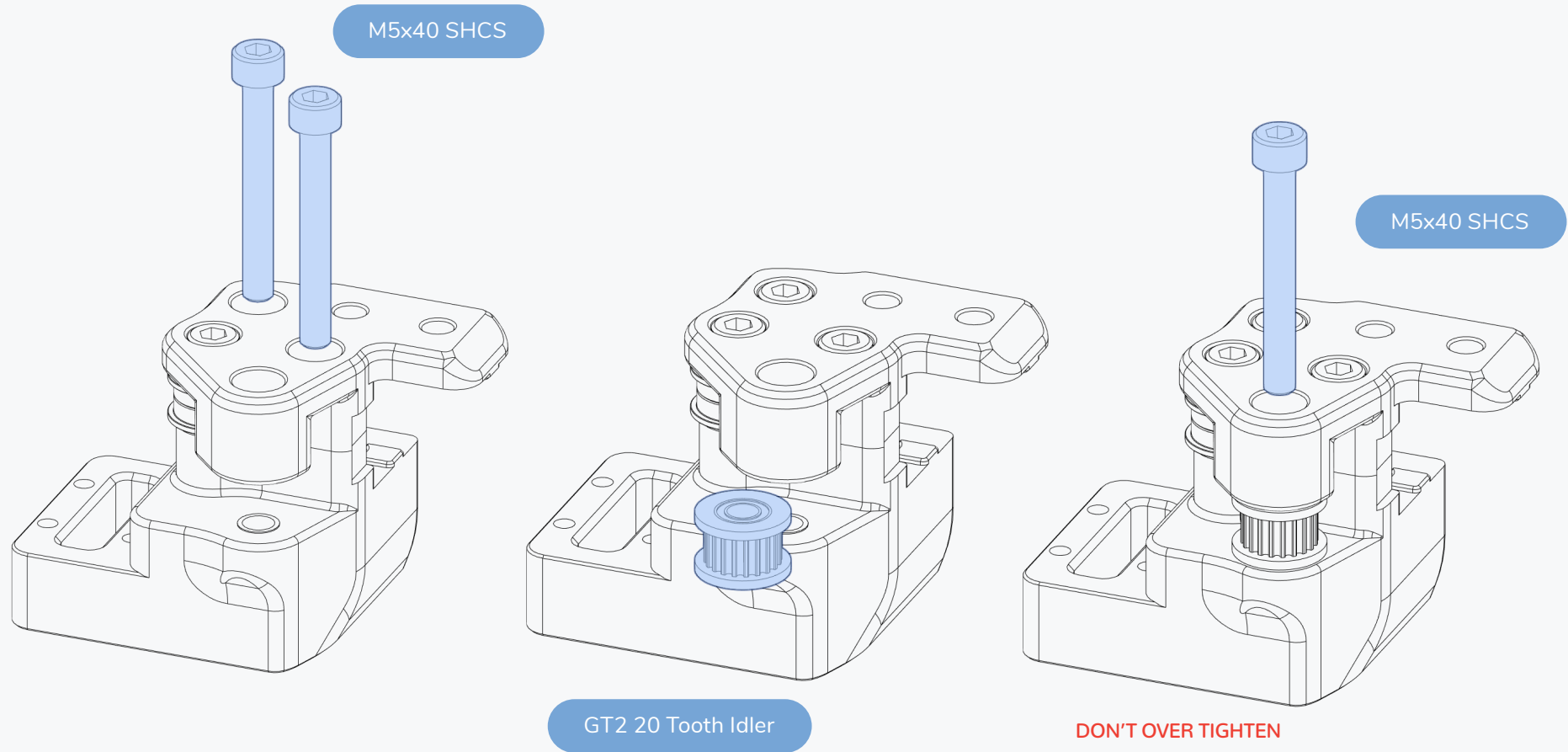
M5x40 SHCS

GT2 20 Tooth Idler

DON'T OVER TIGHTEN
The bolt is used to position the idler and is screwed directly into plastic. The idler must spin freely.

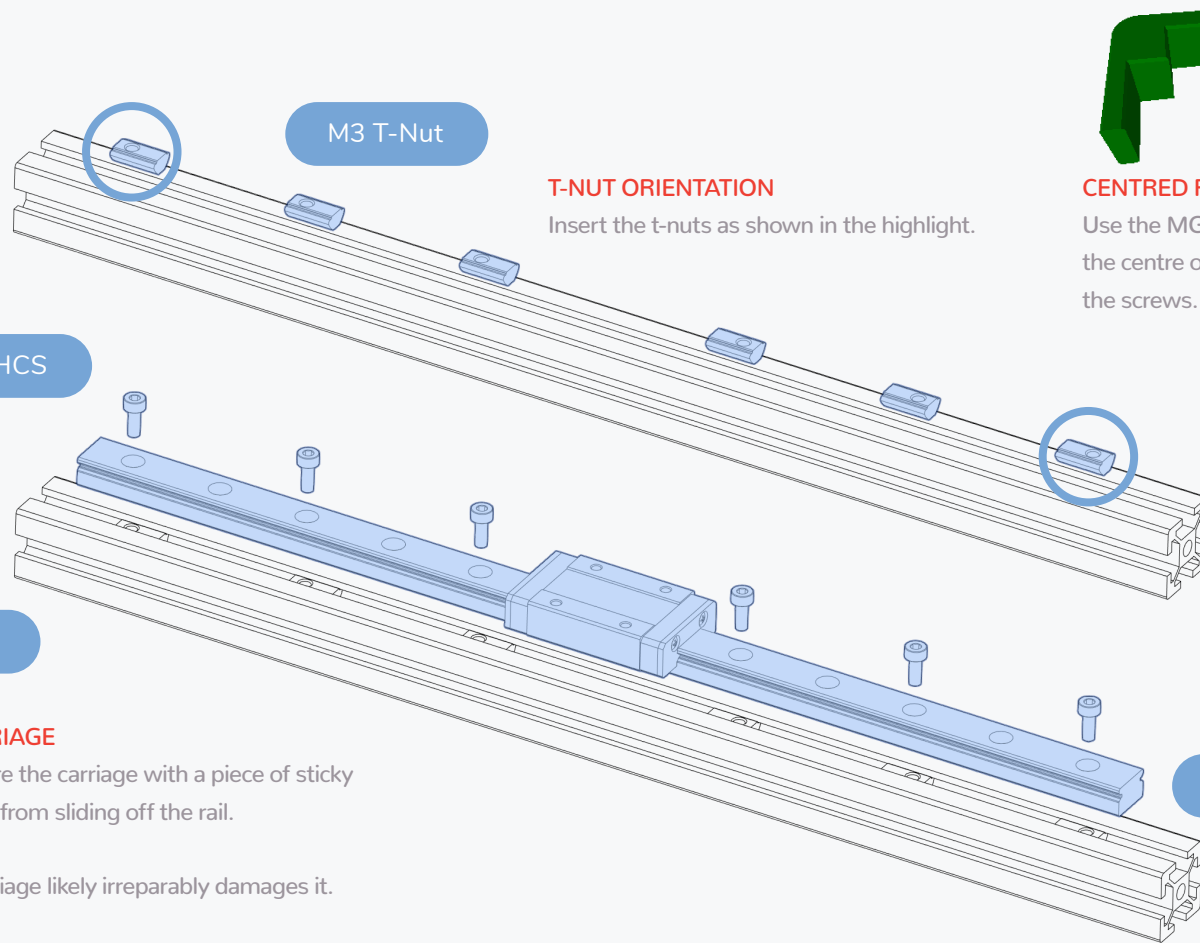
LEFT XY JOINT





DON'T OVER TIGHTEN

The bolt is used to position the idler and is screwed directly into plastic. The idler must spin freely.



M3 T-Nut

T-NUT ORIENTATION

Insert the t-nuts as shown in the highlight.

M3x8 SHCS

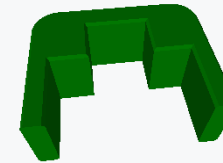
D Extrusion

MIND THE CARRIAGE

Temporarily secure the carriage with a piece of sticky tape to prevent it from sliding off the rail.

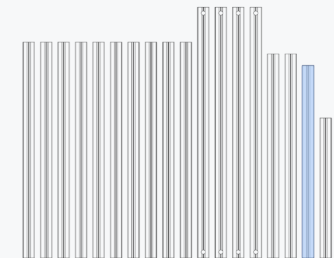
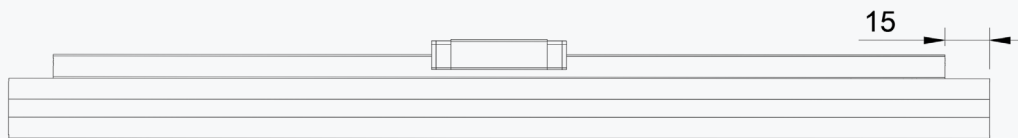
Dropping the carriage likely irreparably damages it.

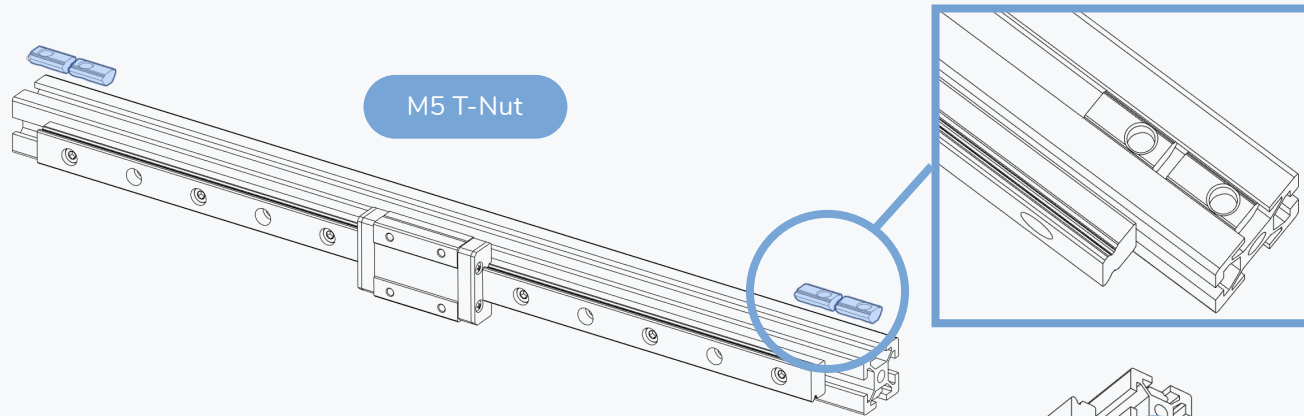
MGN12 Rail



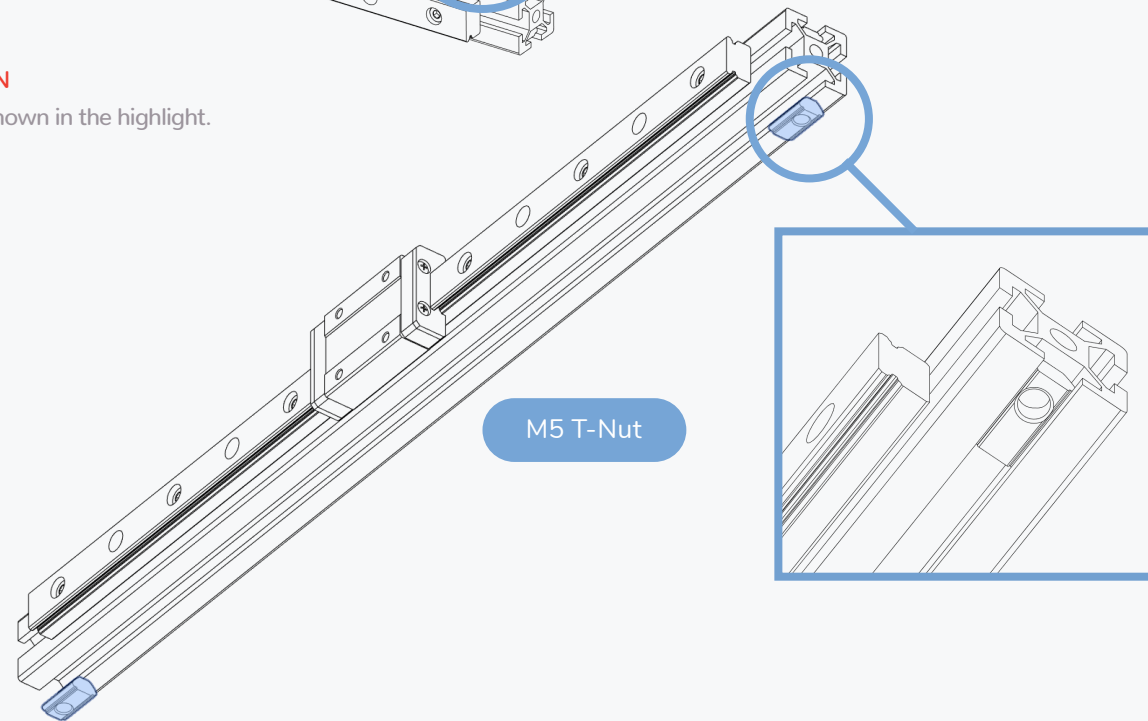
CENTRED RAIL INSTALLATION GUIDE

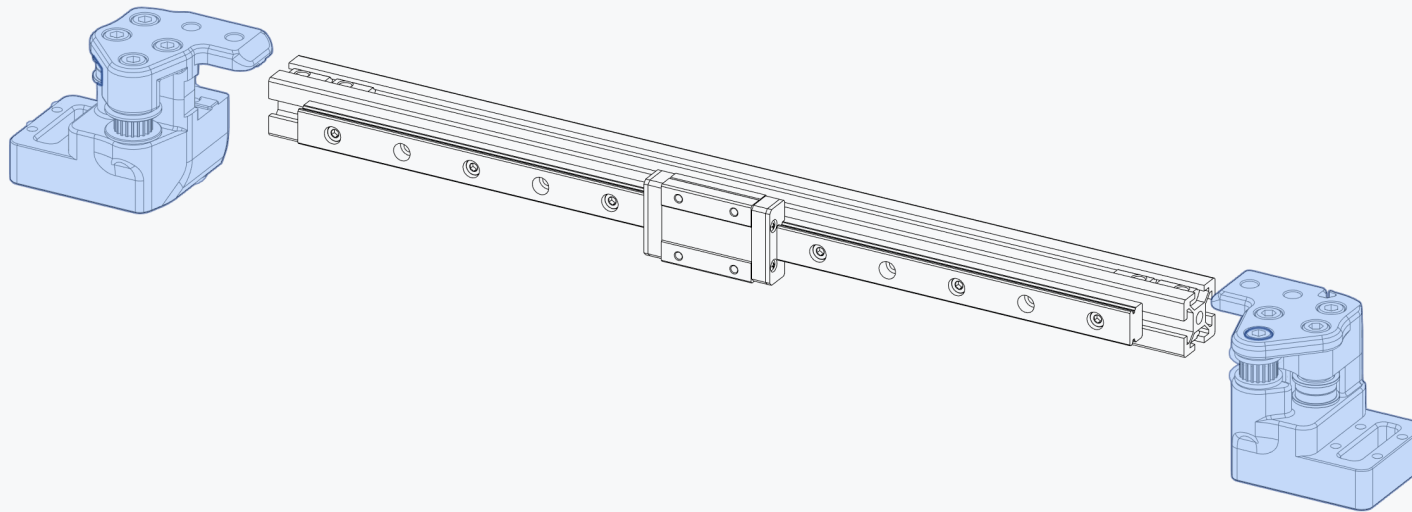
Use the MGN12 guides to position the rail in the centre of the extrusion prior to fastening the screws.



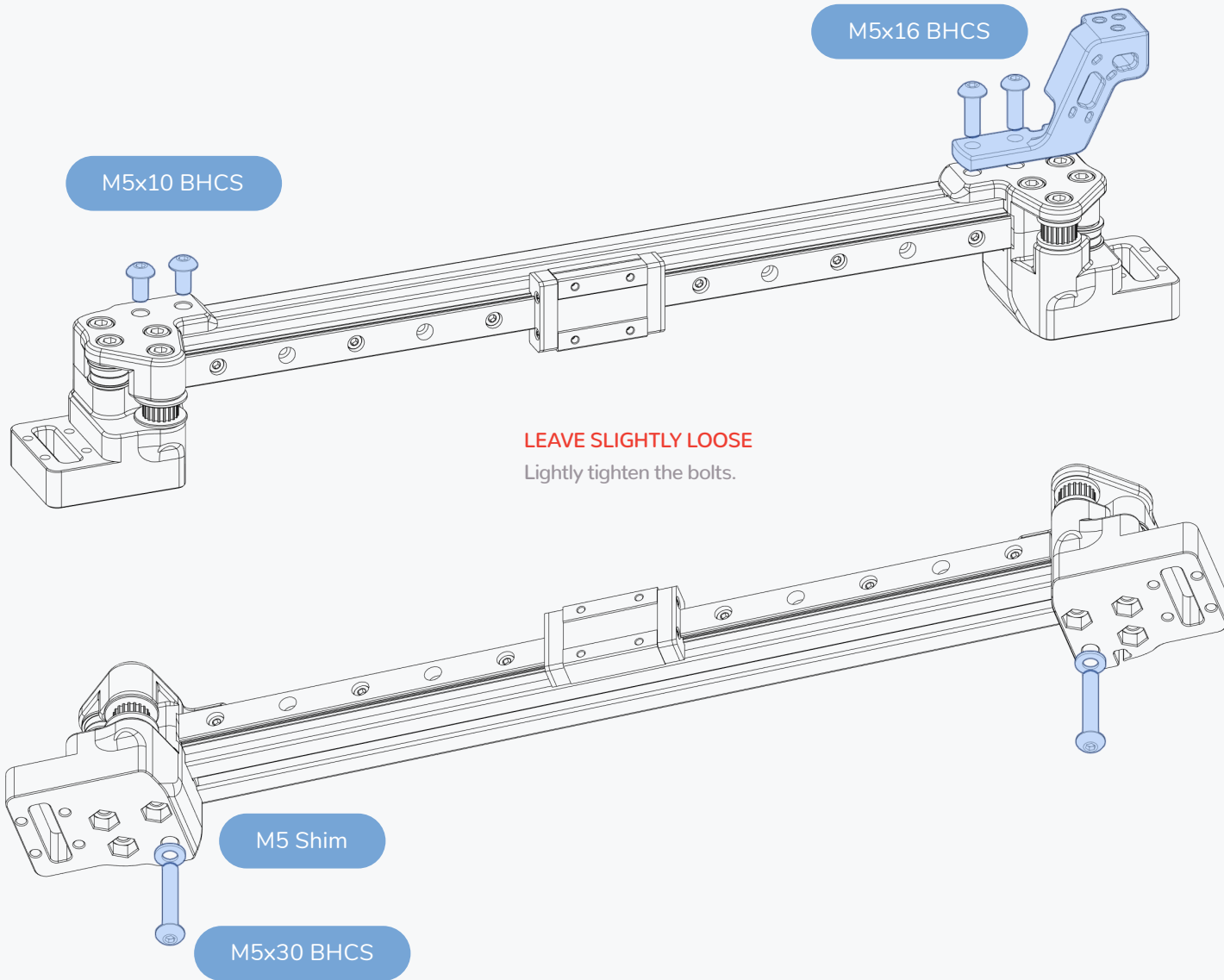


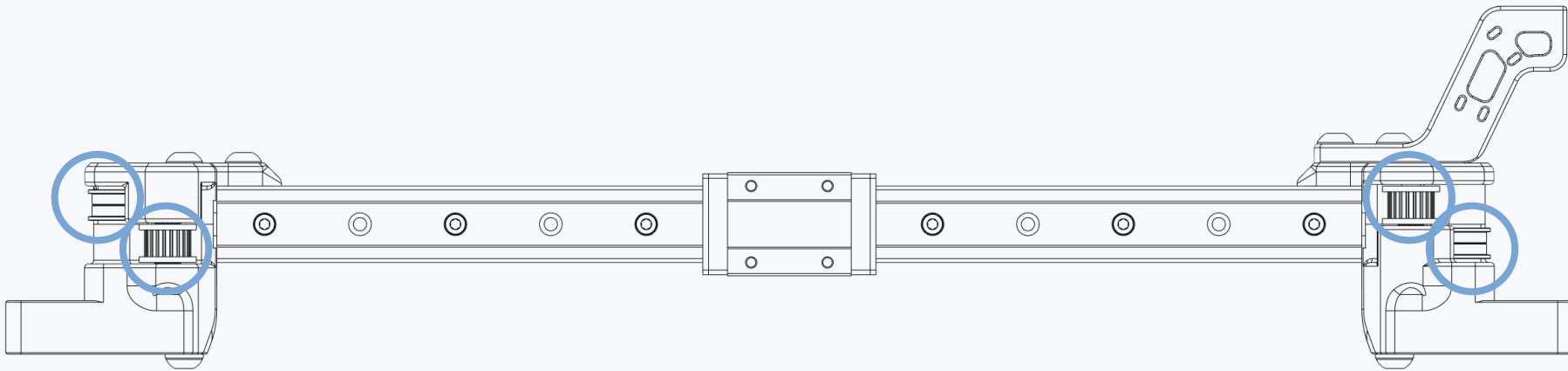
T-NUT ORIENTATION
Insert the t-nuts as shown in the highlight.





X AXIS



**CHECK YOUR WORK**

Compare your assembled part to the graphic shown here.

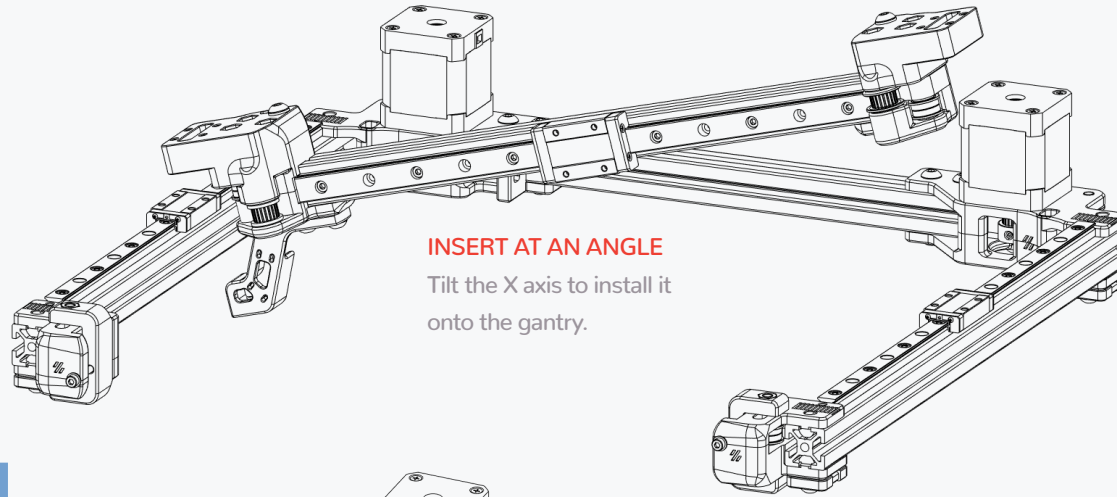
Pay attention to the pulley orientation and alignment with the bearing stack ups.

GANTRY

WWW.VORONDESIGN.COM

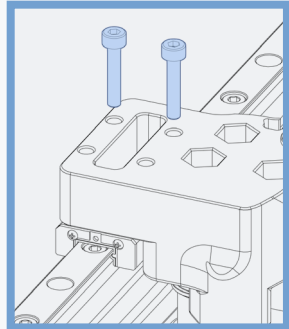
FLIP GANTRY

Turn the gantry around for the next step.



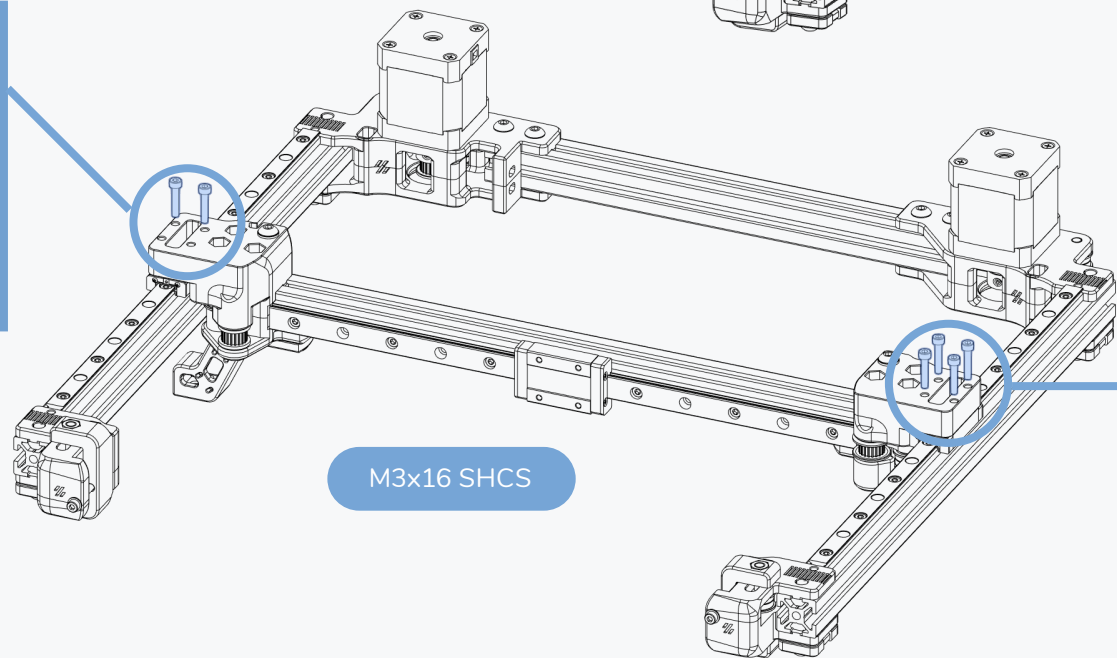
INSERT AT AN ANGLE

Tilt the X axis to install it onto the gantry.

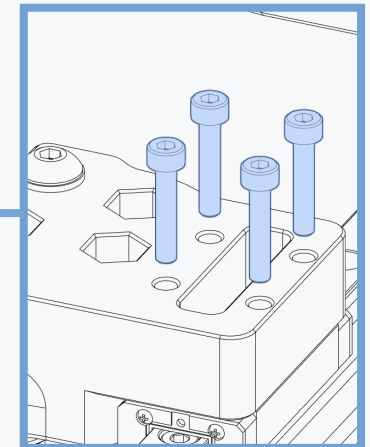


2X BOLT ONLY

The remaining bolts will be installed in a later step.



M3x16 SHCS

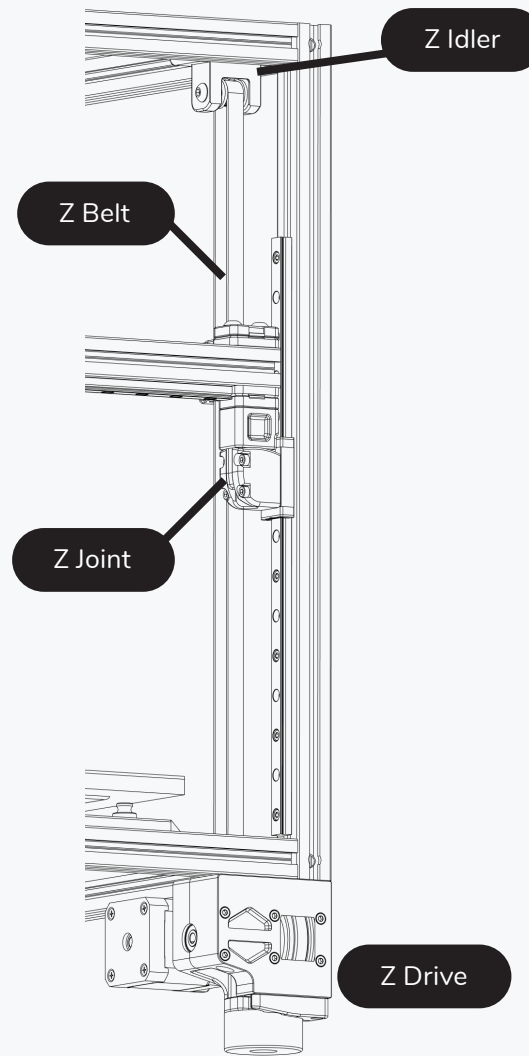


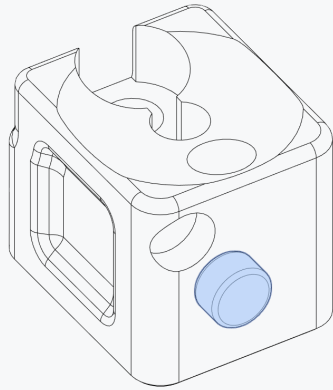
V1 and V2 are not version numbers but the printer models/lines. We renamed the V1 to Voron Trident to address the confusion this caused.

Z AXIS

WWW.VORONDESIGN.COM



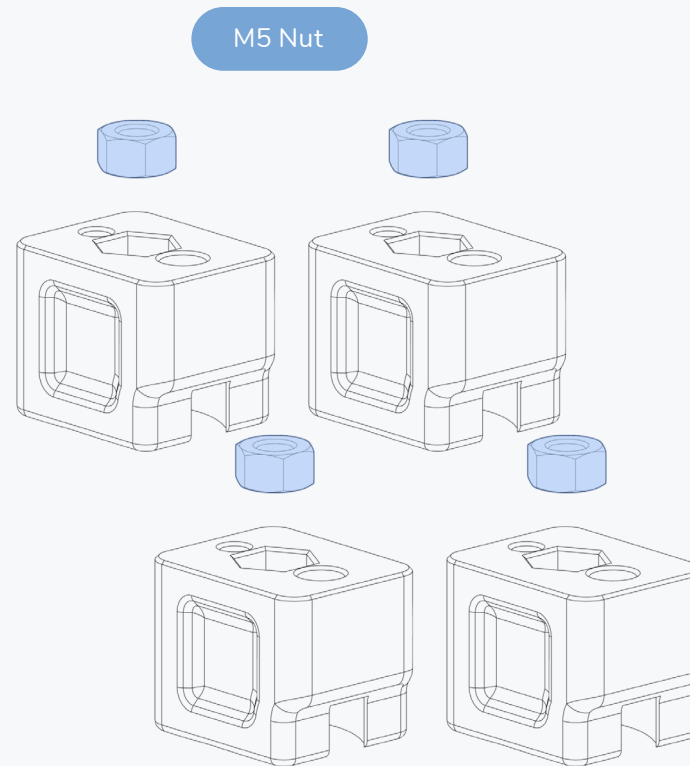




6x3 Magnet

OPTION: HALL EFFECT ENDSTOP

If you are building your printer with a Hall Effect Endstop add a magnet to the cutout.

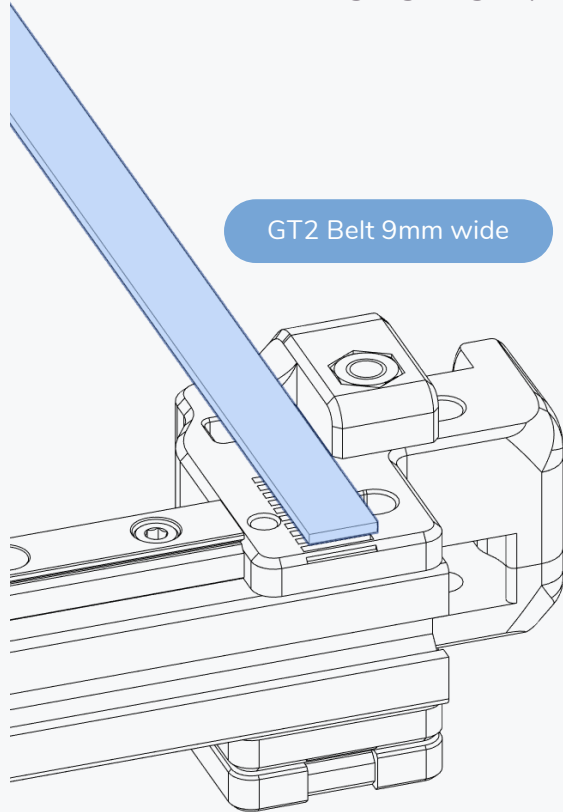


M5 Nut

Z BEARING BLOCKS

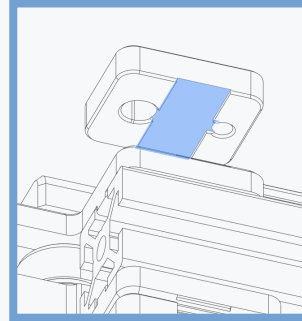
GANTRY IS STILL UPSIDE DOWN

It's a lot easier than fighting with gravity.



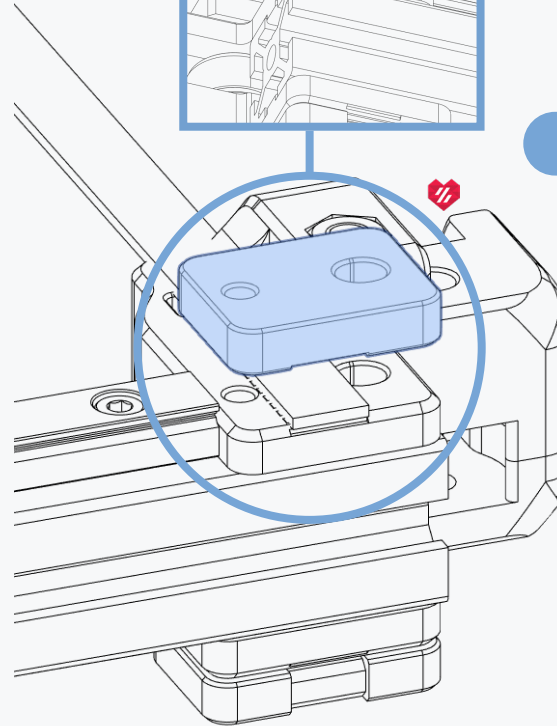
TEETH DOWN

The teeth of the belts are facing down into the serrations in the printed part.

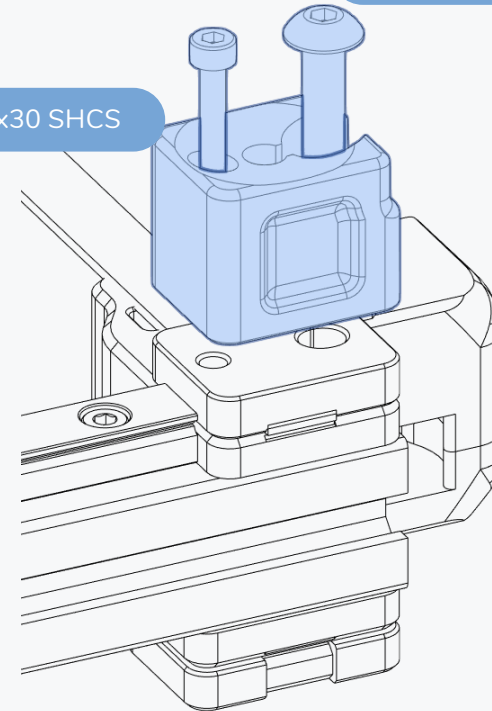


NOTCH ORIENTATION

The indentation along the part is designed to clamp on the belt.



M3x30 SHCS



M5x30 BHCS

MINIMUM RECOMMENDED BELT CUT LENGTH

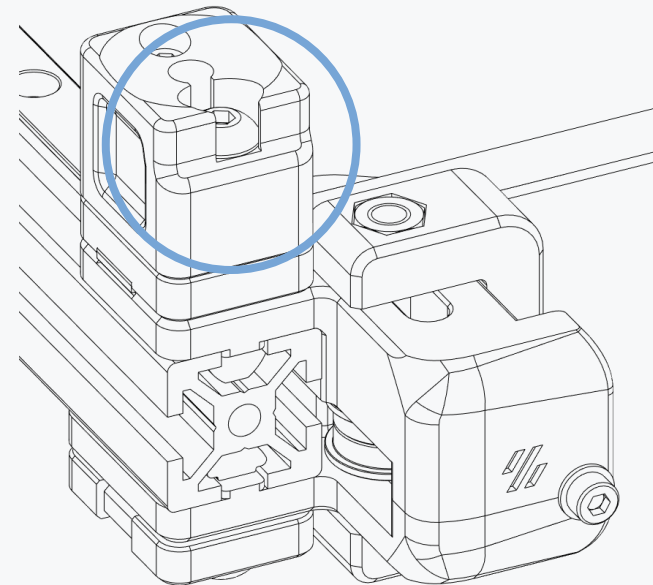
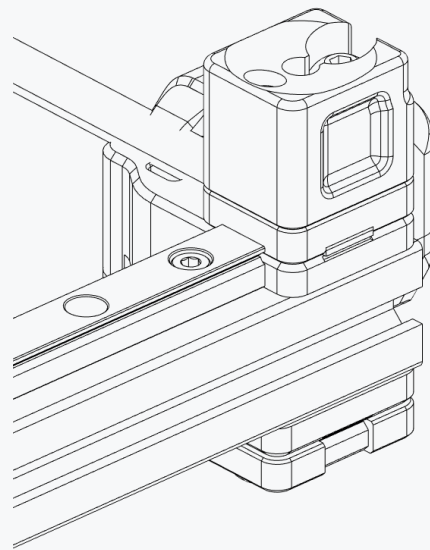
250 spec 1000mm

300 spec 1100mm

350 spec 1200mm

MIND THE PART ORIENTATION

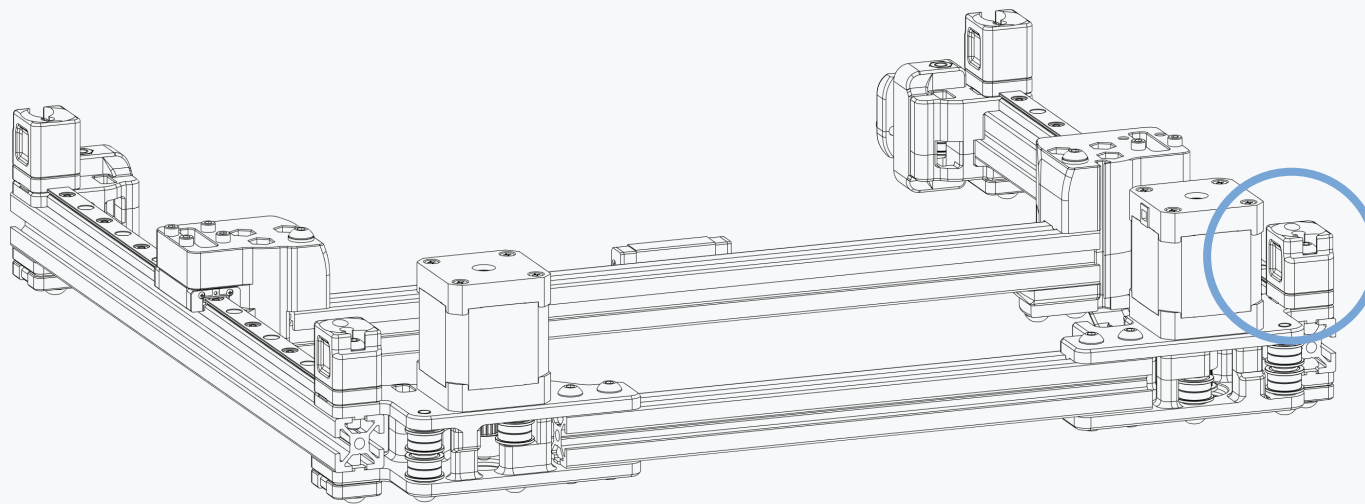
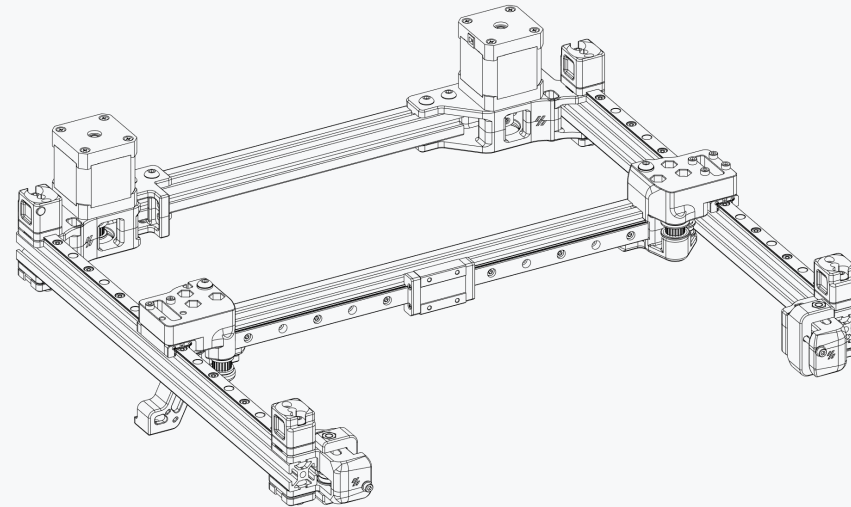
The cutout goes towards the outside.



Z BEARING BLOCKS

REPEAT BELT INSTALL FOR ALL 4 BLOCKS

We are not showing the belts in the pictures on this page.

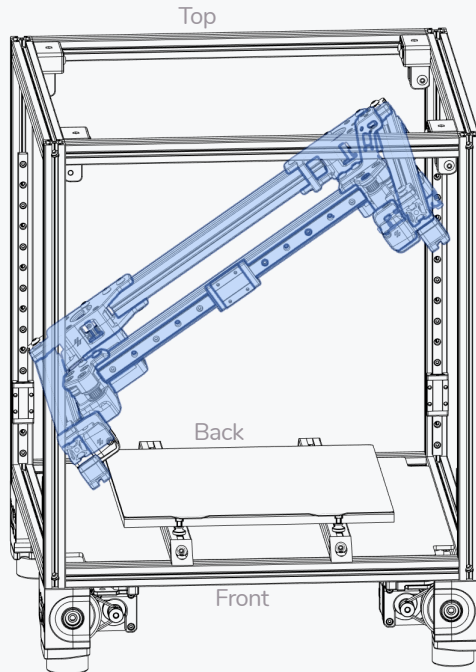


OPTION: HALL ENDSTOP

Install the block with the magnet in this position. The magnet faces the XY joint.

GANTRY INSTALL

WWW.VORONDESIGN.COM



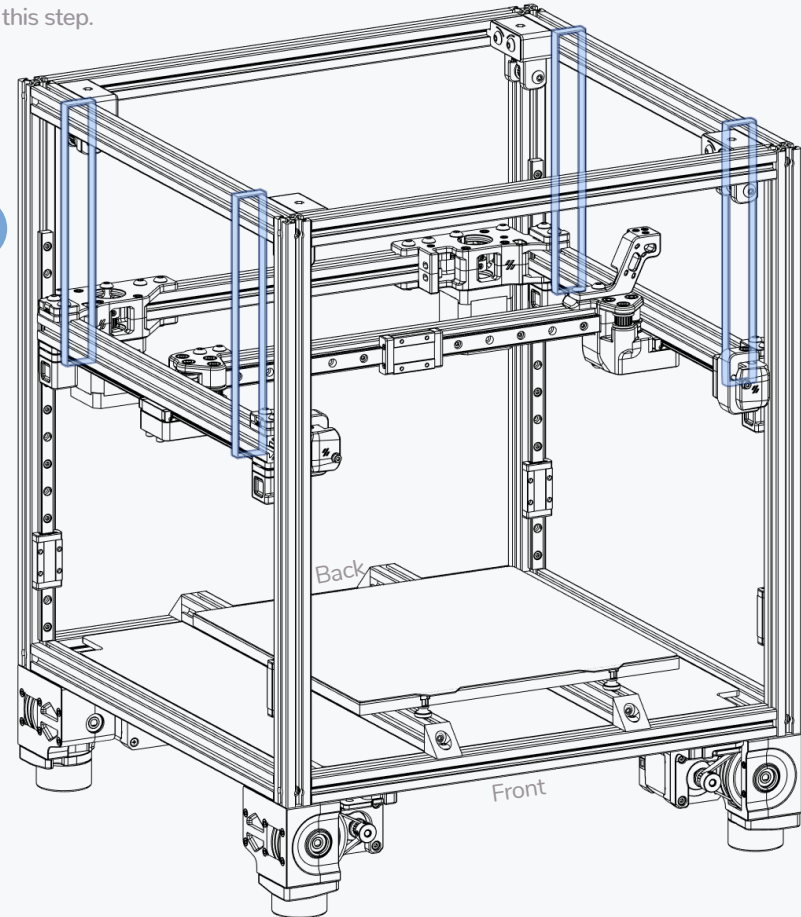
INSERT AT AN ANGLE

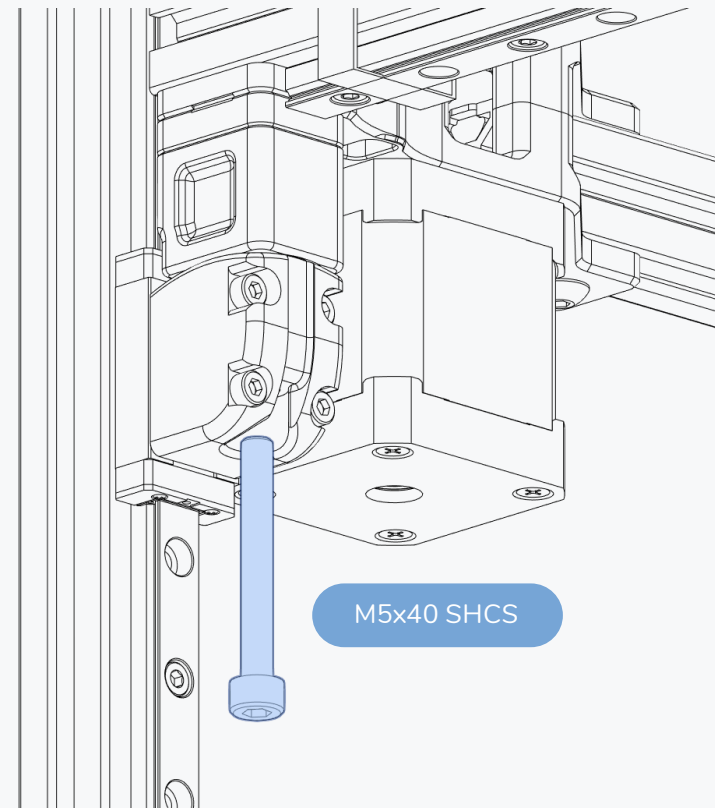
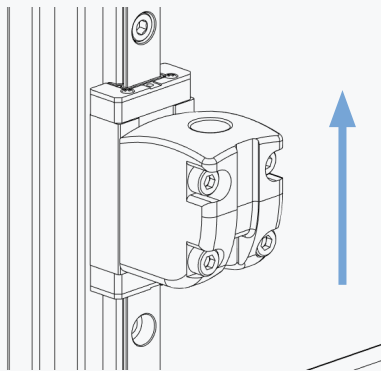
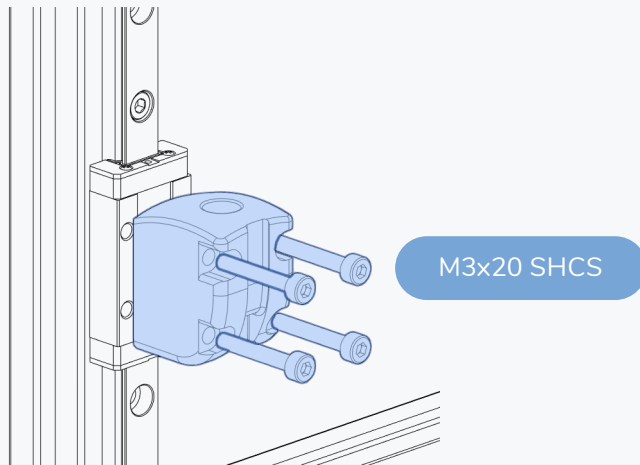
Tilt the gantry to move it past the uprights.

Long Zipties

A HELPING HAND

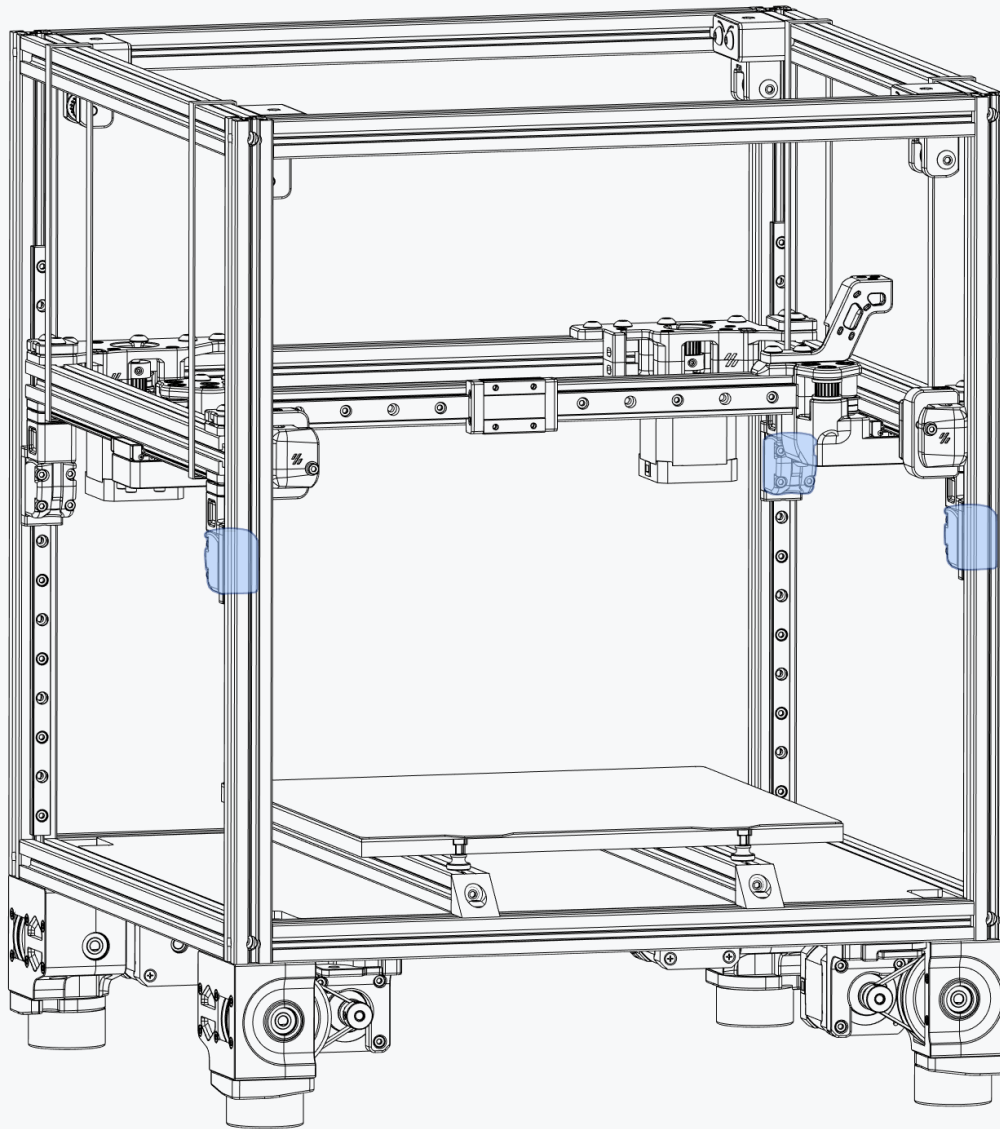
Secure the gantry with long zipties or similar while the gantry is being installed. An extra pair of hands helps with this step.





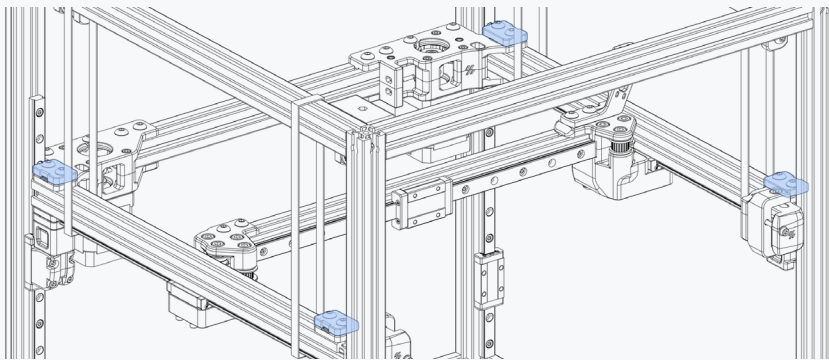
Z JOINTS

WWW.VORONDESIGN.COM



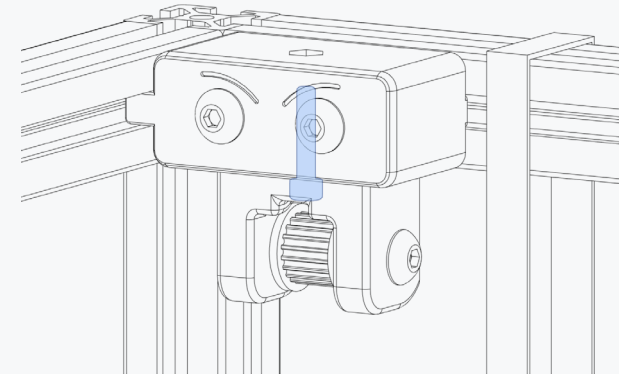
INSTALL REMAINING JOINTS

Add the other 3 joints repeating the same steps.



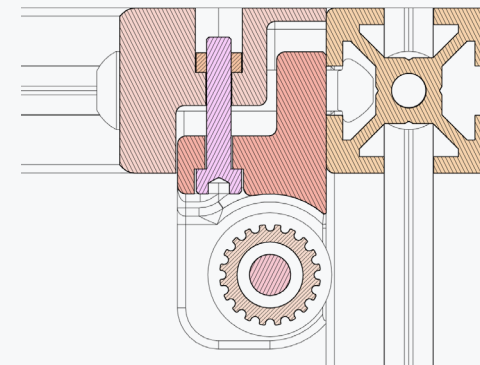
LOOSEN TOP BELT CLAMPS

Undo the top belt clamps, we'll be installing the belts in the next steps.



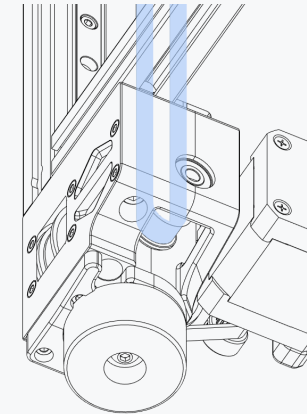
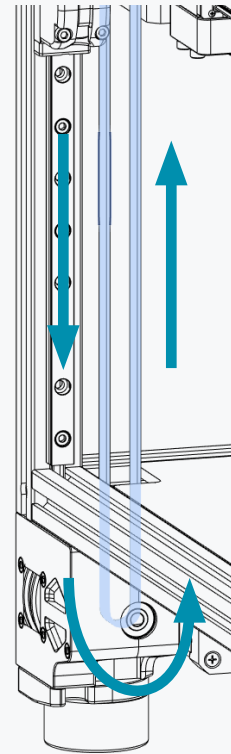
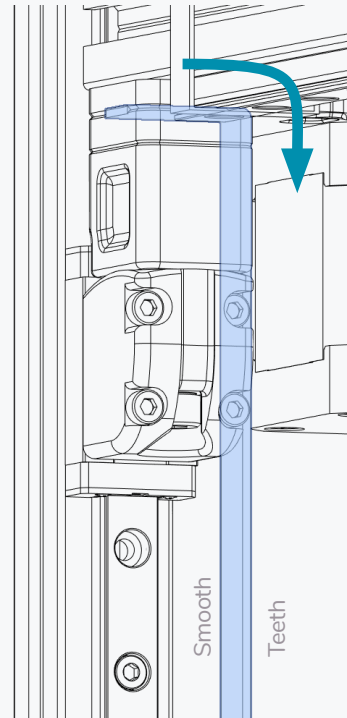
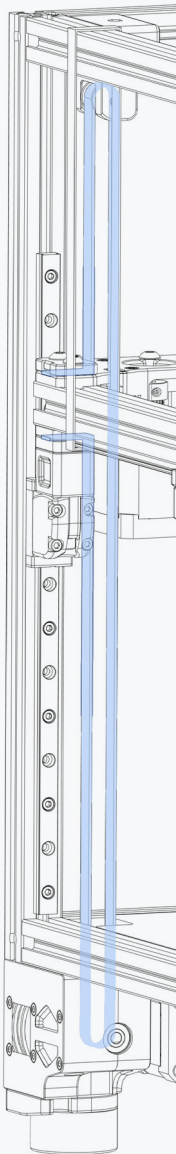
EXTEND IDLER

Loosen the idler bolt to extend the idler. Once extended to the maximum before becoming undone tighten 4 turns. Repeat for all 4 idlers.



Z BELT

WWW.VORONDESIGN.COM

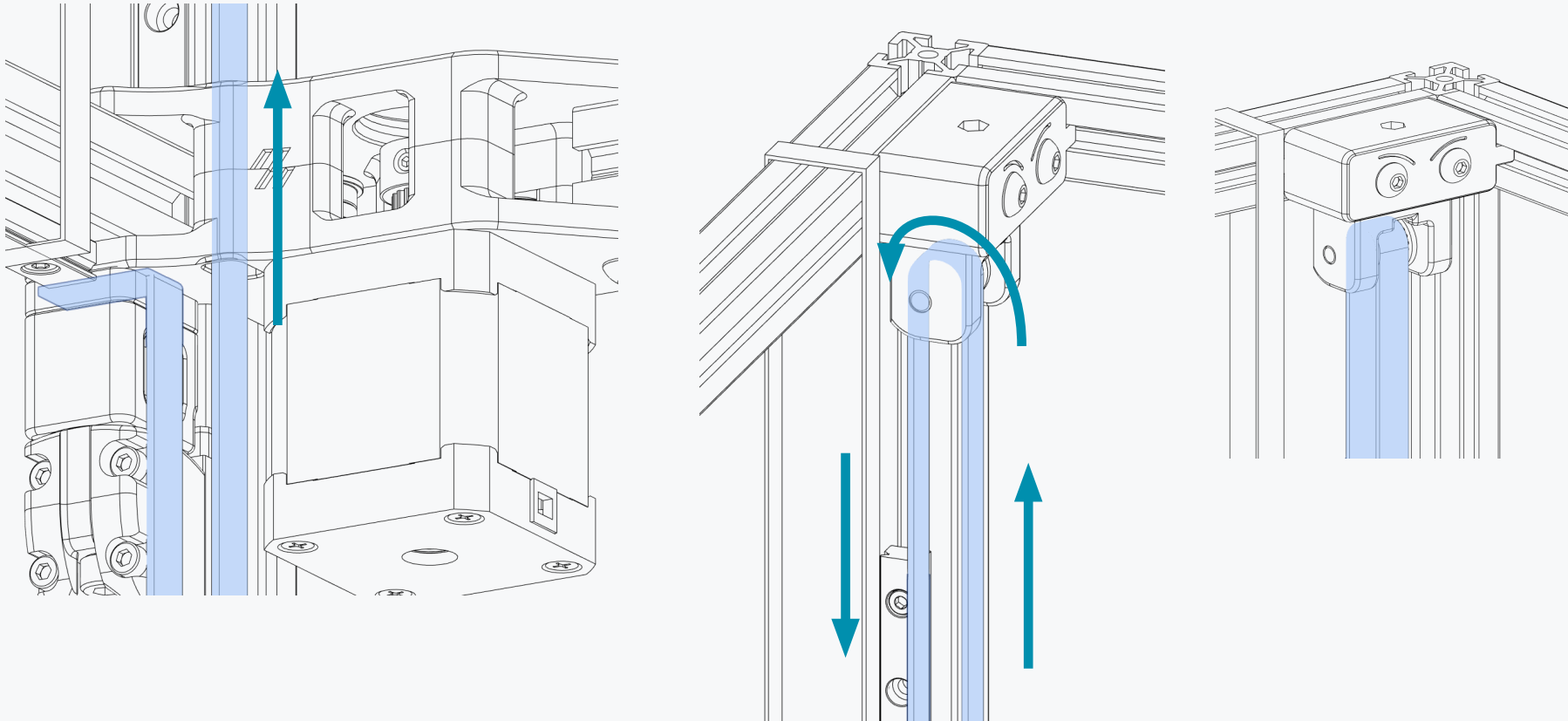


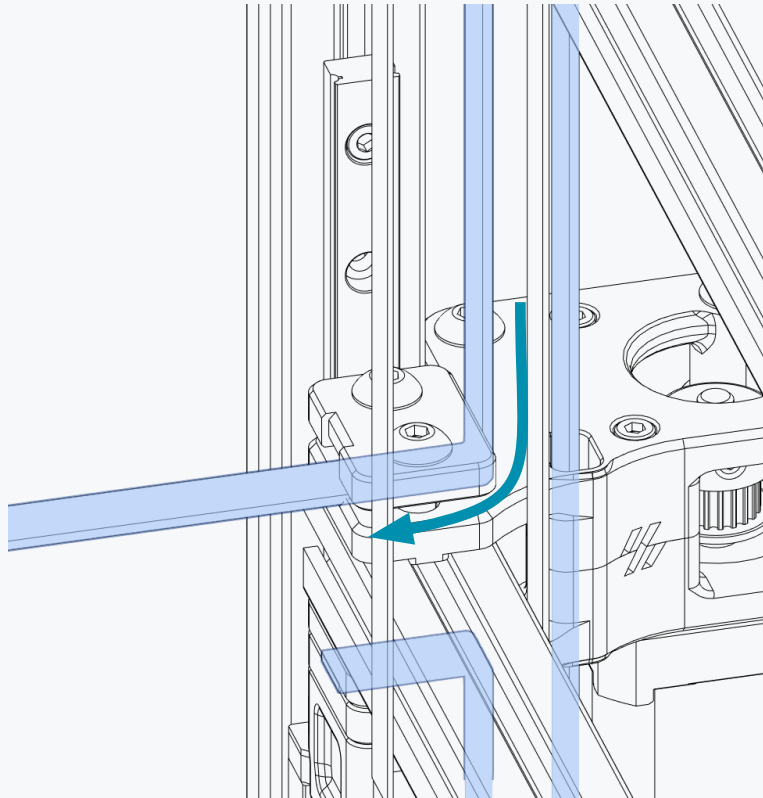
Z BELT ROUTING

Follow the path pointed out by the arrows.
Needle nose pliers, tweezers or similar tools
can help in this step.

The belt teeth are on the inside of the loop.

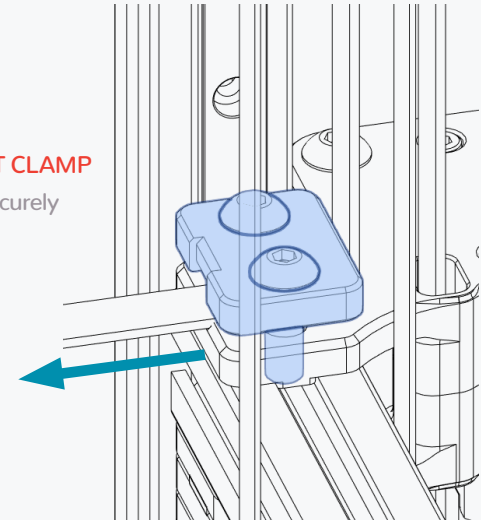
Z BELT





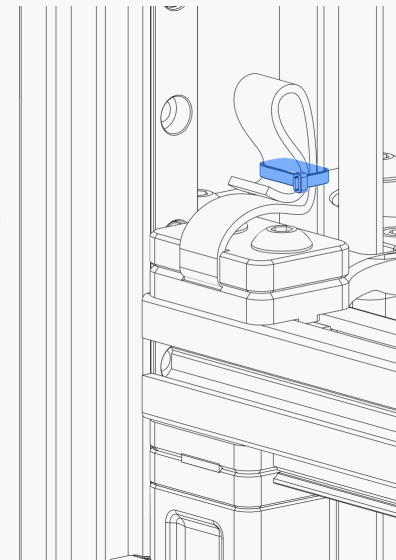
PULL TIGHT AND SECURE BELT CLAMP

Pull on the end of the belt and securely fasten the top belt clamp.



EXCESS BELT

Fold the excess belt over and use a small ziptie to secure the end.

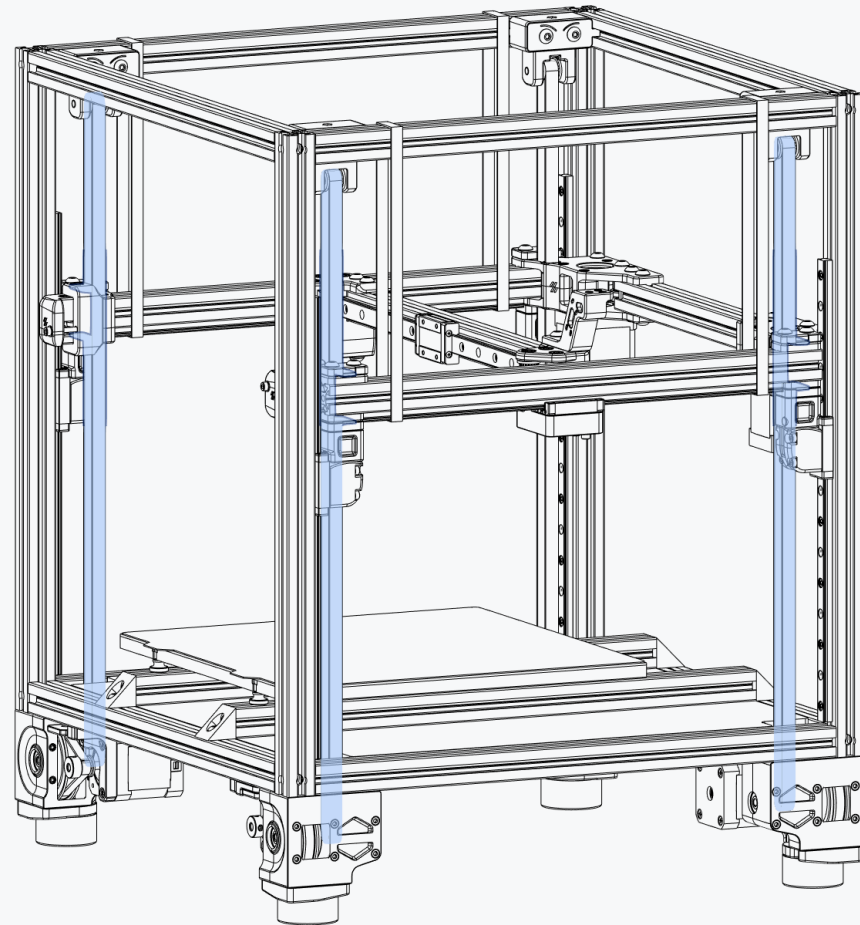


Z BELT

WWW.VORONDESIGN.COM

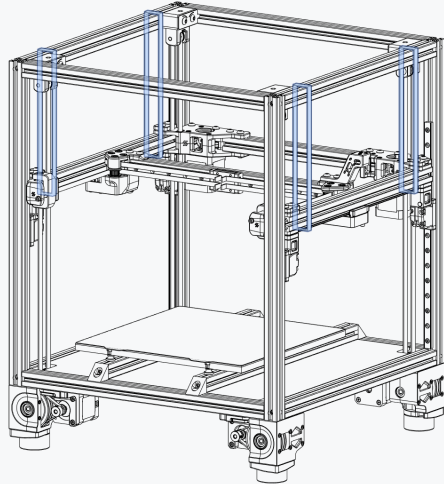
INSTALL REMAINING Z BELTS

Repeat the install instructions for the other 3 Z belts.



GANTRY ALIGNMENT

WWW.VORONDESIGN.COM



REMOVE ZIPTIES

With the belts installed the gantry will stay in position.

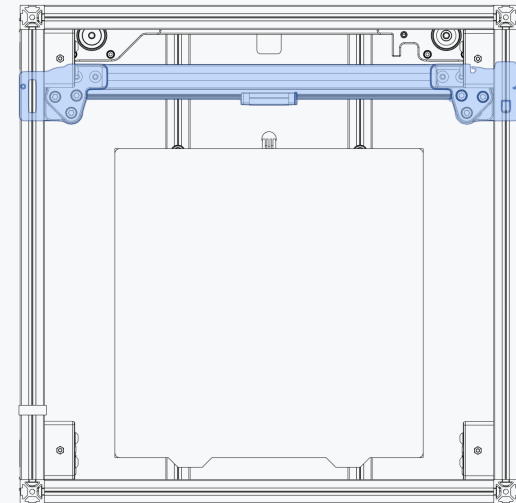
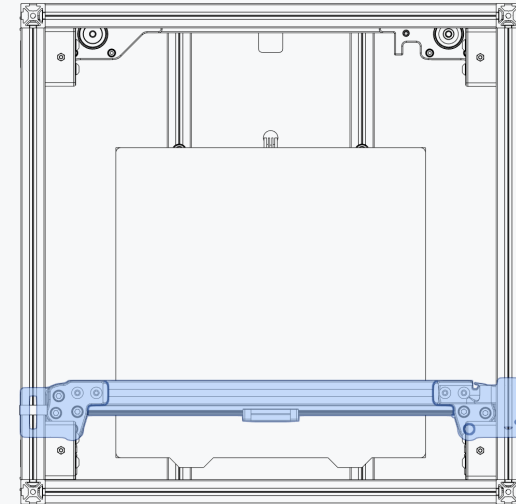
SQUARING THE GANTRY

Move the gantry all the way back until it hits the A and B drive on both sides.

Fully tighten all screws on the X axis.



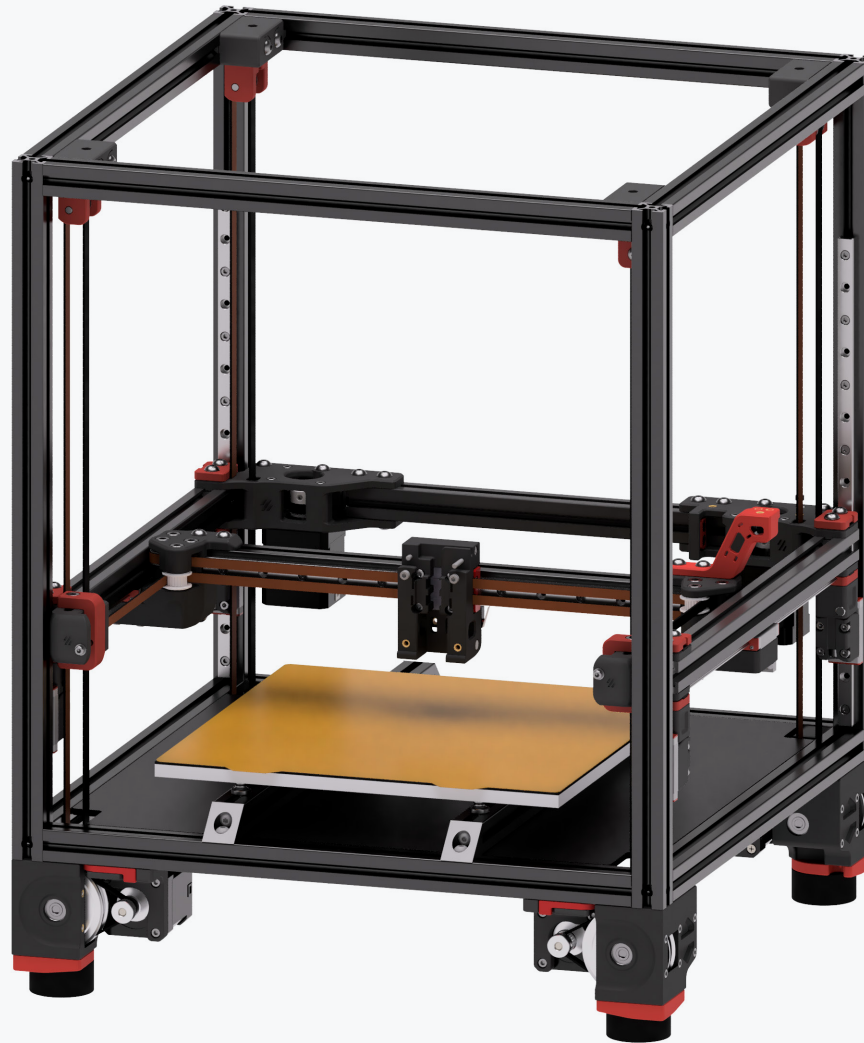
<https://voron.link/cekh81l>



Voron2.0 was never officially released.

A/B BELTS

WWW.VORONDESIGN.COM



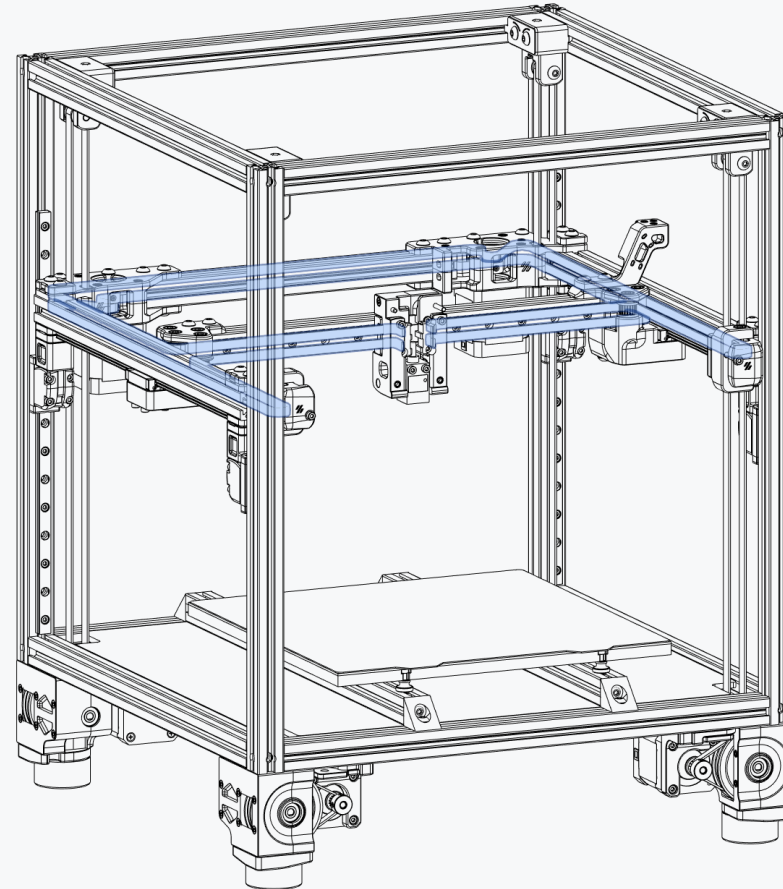
THE VORON BELT PATH

Voron printers use a belt path based on the popular CoreXY pattern.

The individual belt paths are stacked on top of each other and the crossing often found in CoreXY designs is omitted. Compared to many other implementations, the motors are moved to a less intrusive position. To learn more about the principles behind CoreXY visit <https://voron.link/ef72dd6>

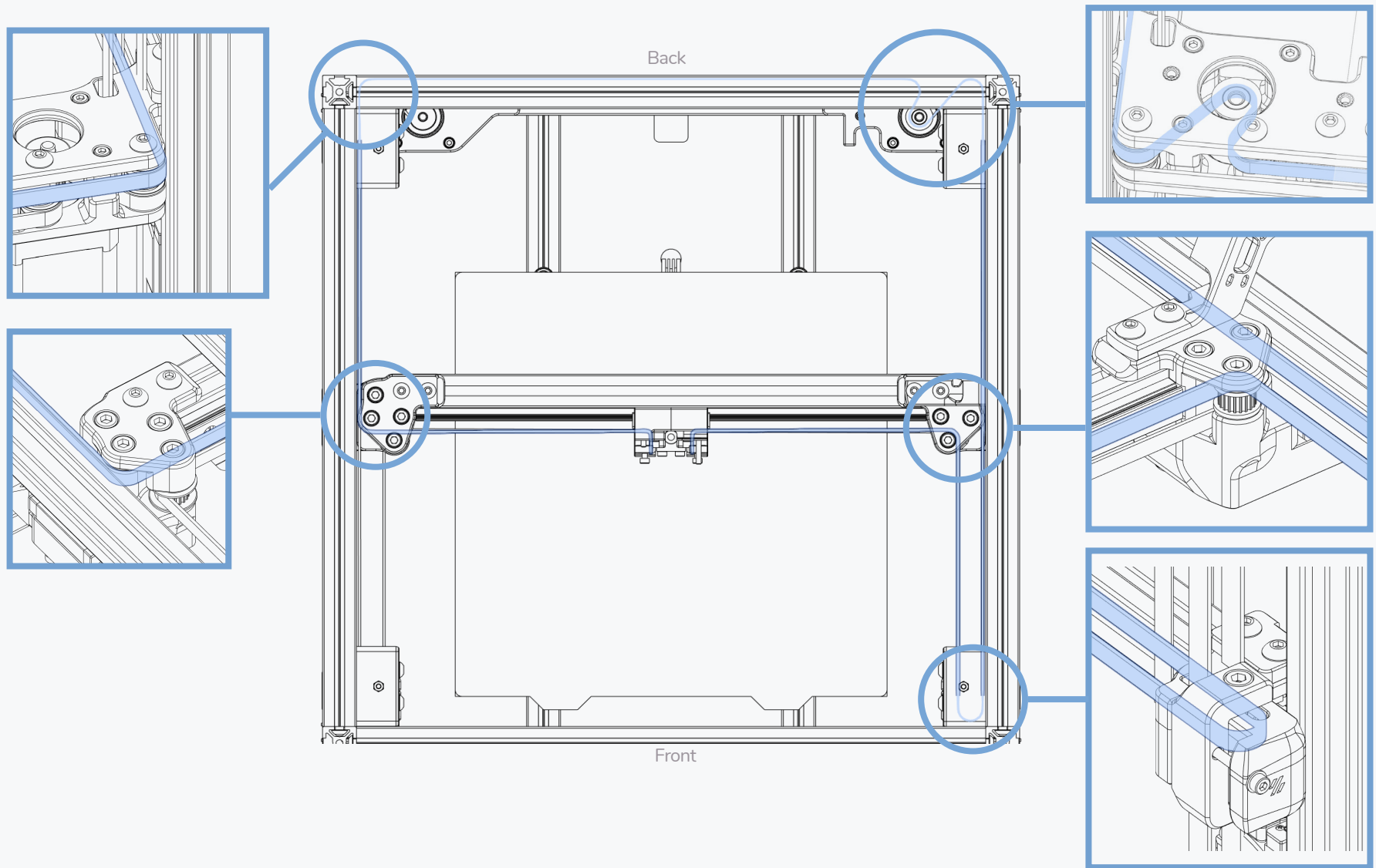
Equal belt tension is important to the proper function of a CoreXY motion system.

We recommend to run one belt to get the required length, remove the belt from the printer and cut the second belt to the exact same length. As both belt paths have the same length this is an easy way of getting a consistent tension.



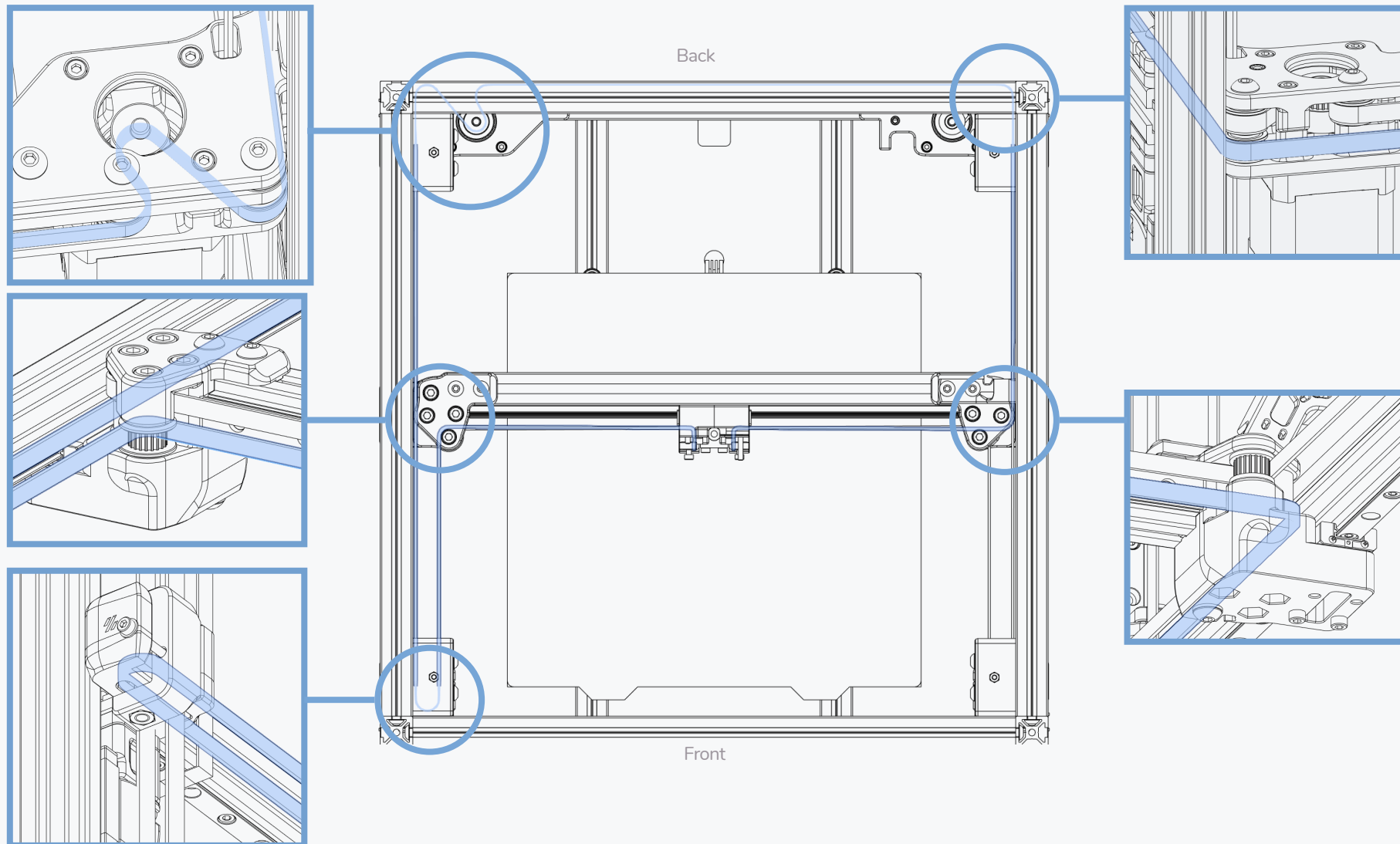
OVERVIEW - A BELT

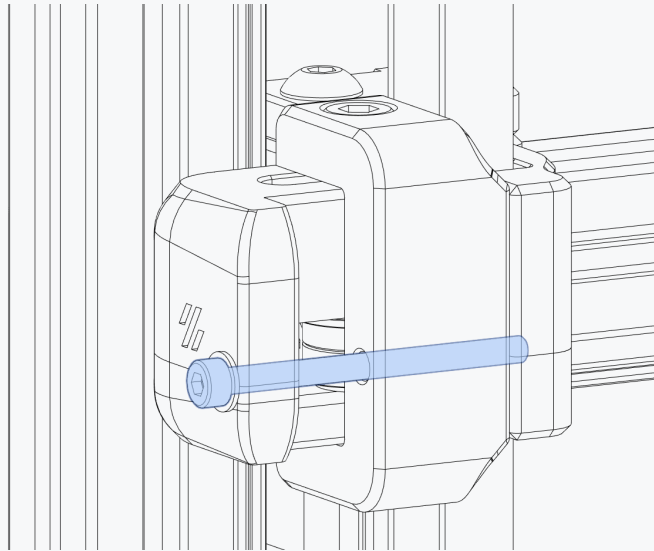
WWW.VORONDESIGN.COM



OVERVIEW - B BELT

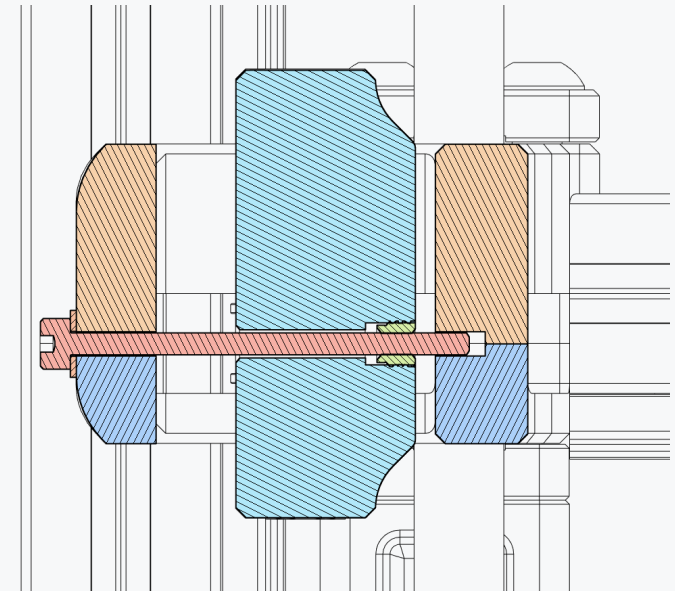
WWW.VORONDESIGN.COM



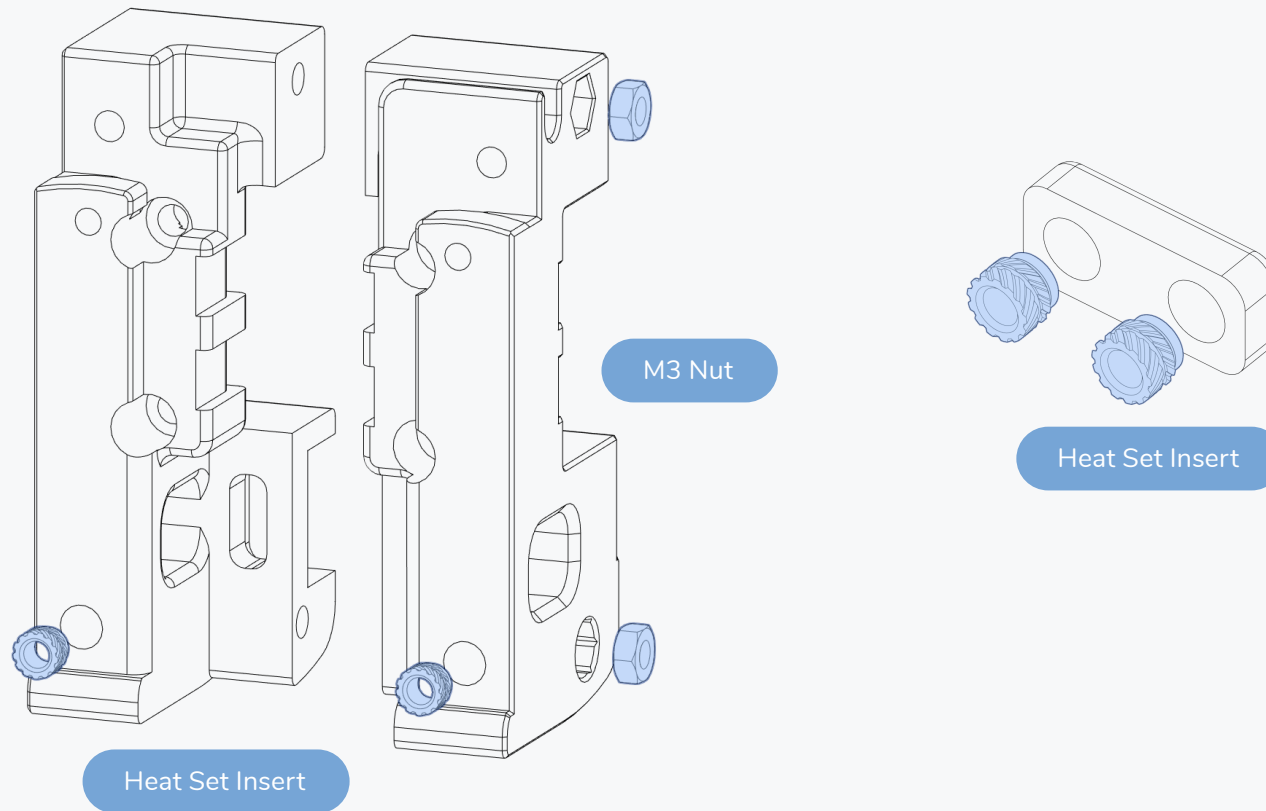


EXTEND IDLER

Loosen the idler bolt to extend the idler.
Once extended to the maximum tighten 4 turns.
Repeat for the second idler.

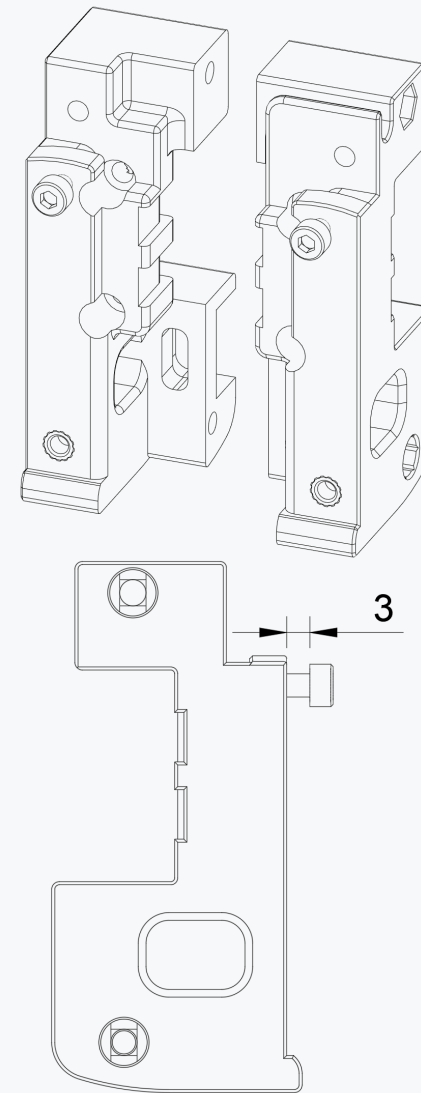
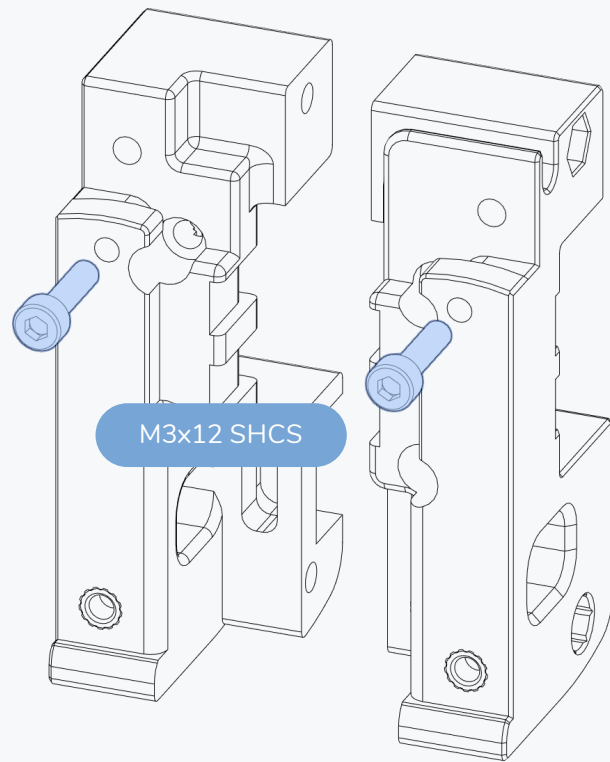


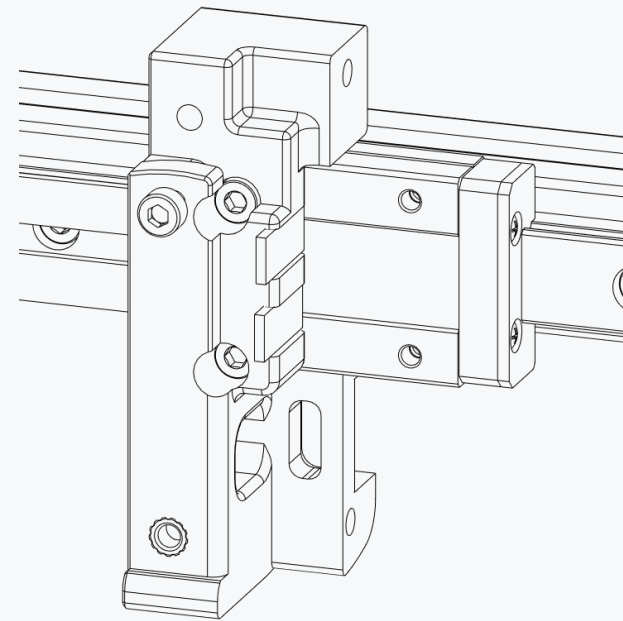
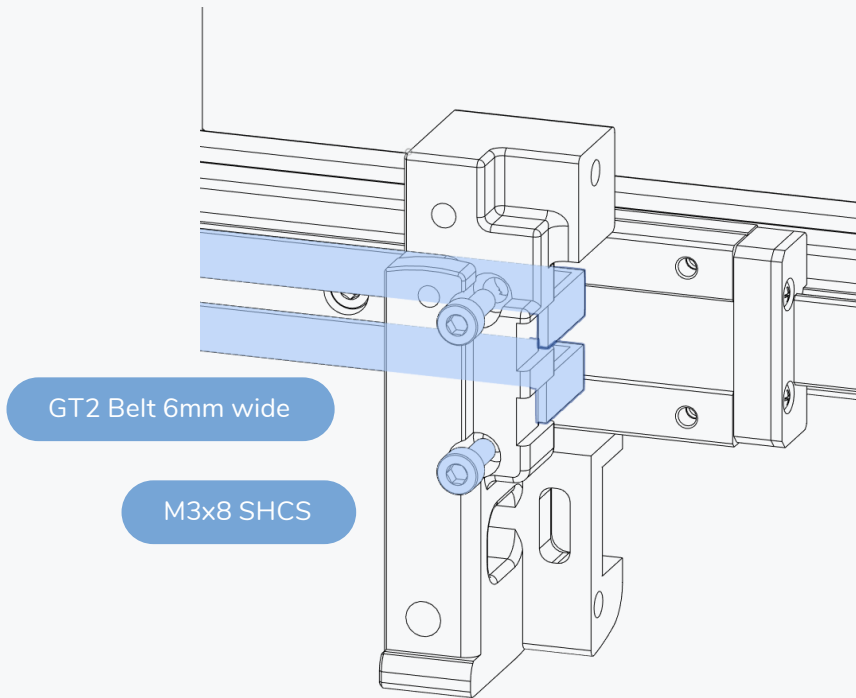
PREPARATION



X CARRIAGE

WWW.VORONDESIGN.COM

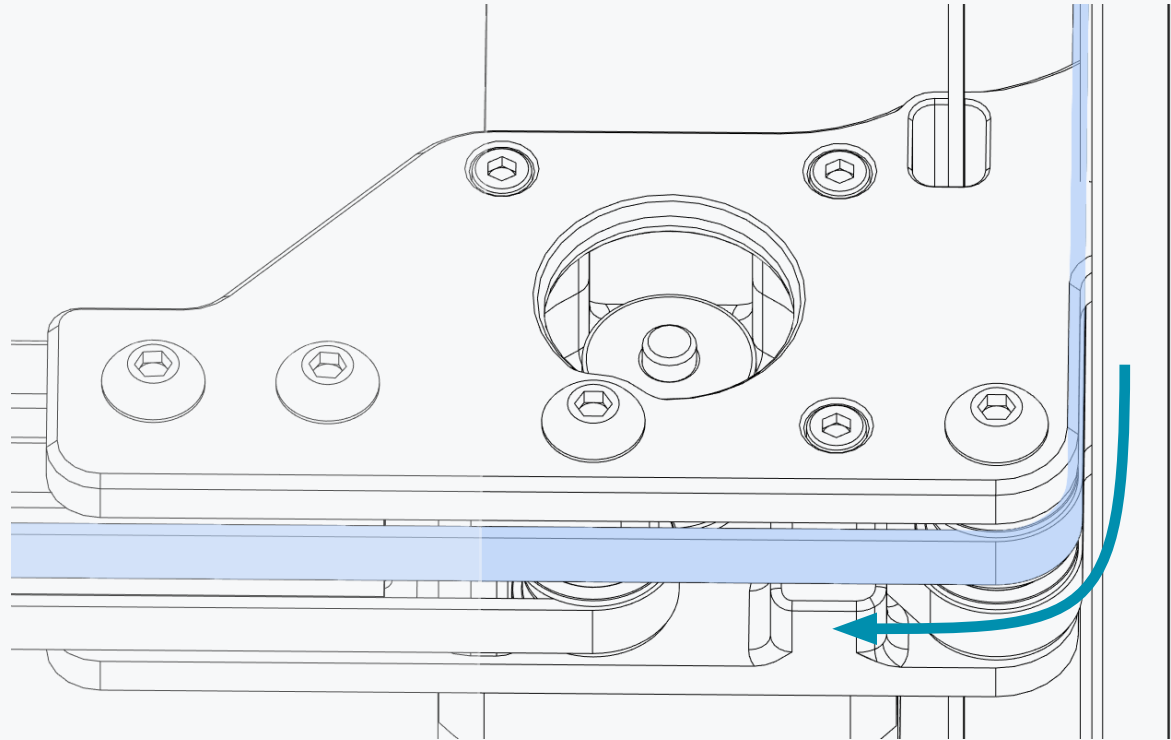
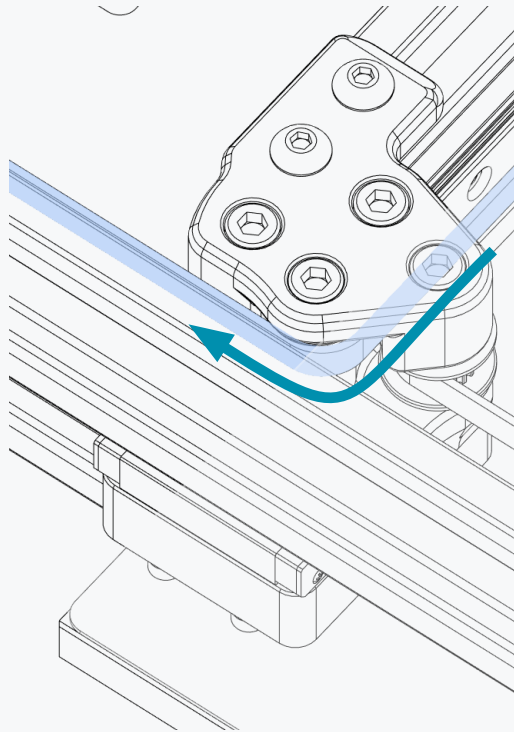




CLAMP BELTS

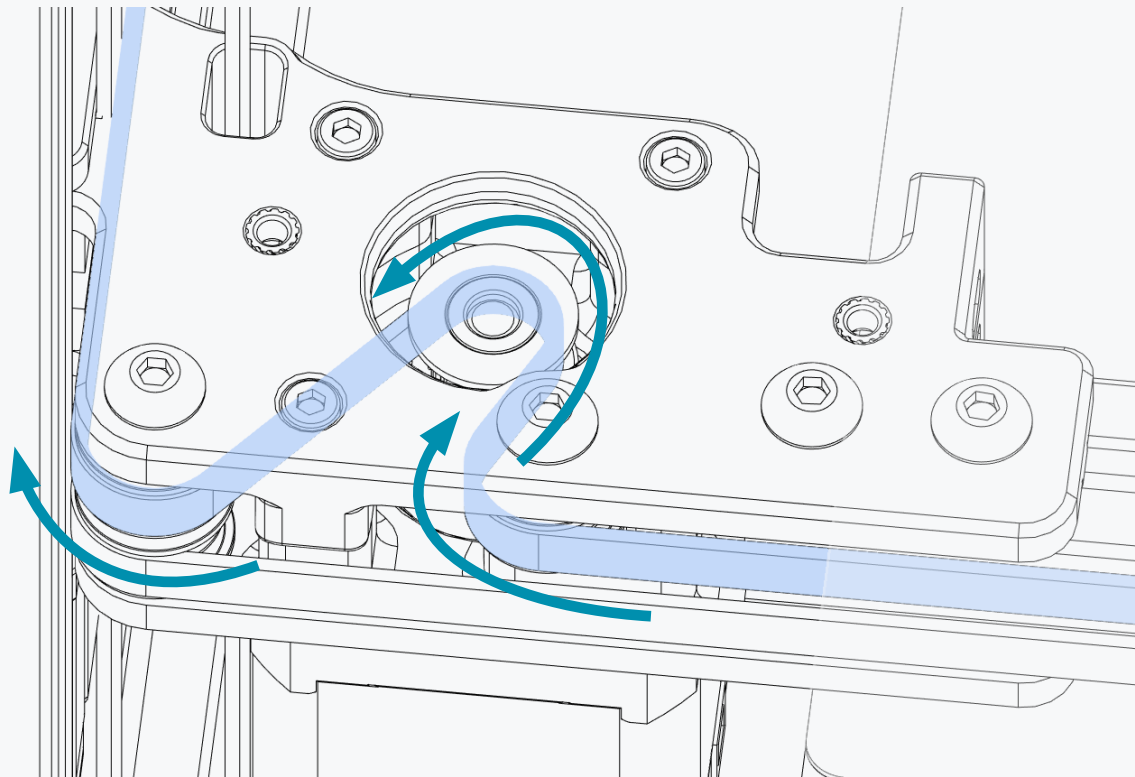
Clamp both A and B belts in place by installing the left X carriage part.

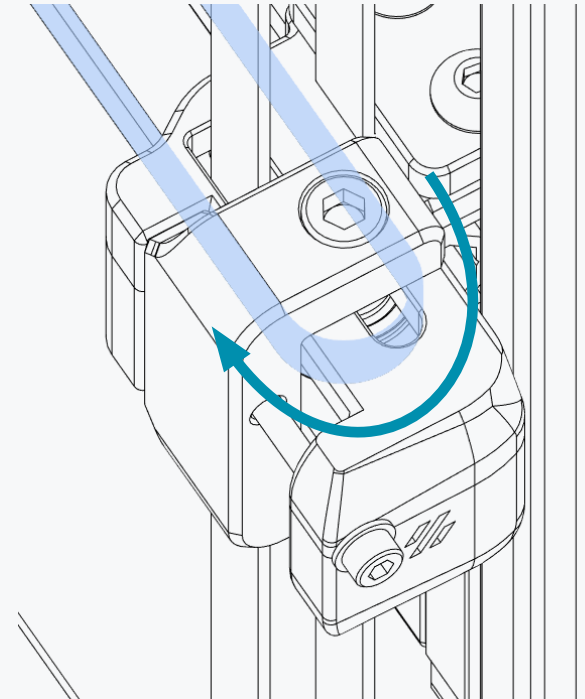
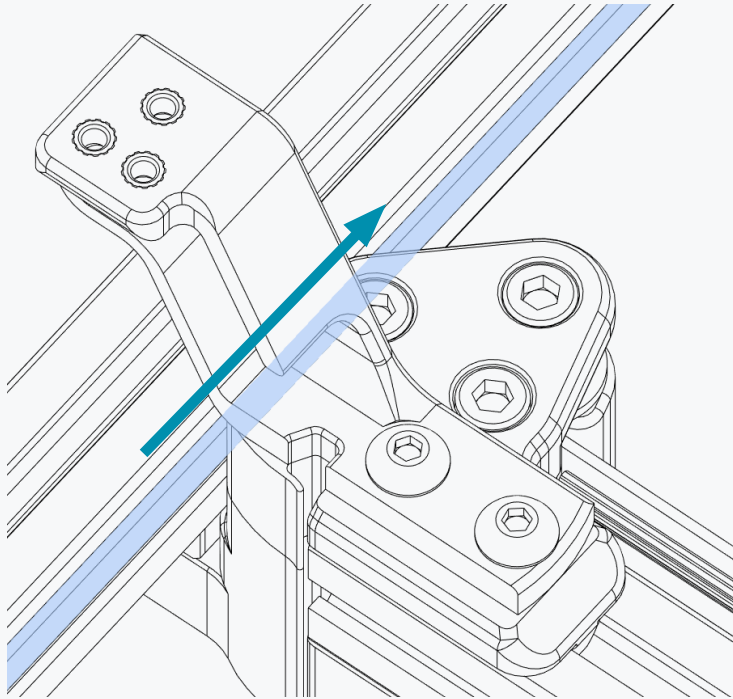
The belt teeth face away from the extrusion.



A BELT ROUTING

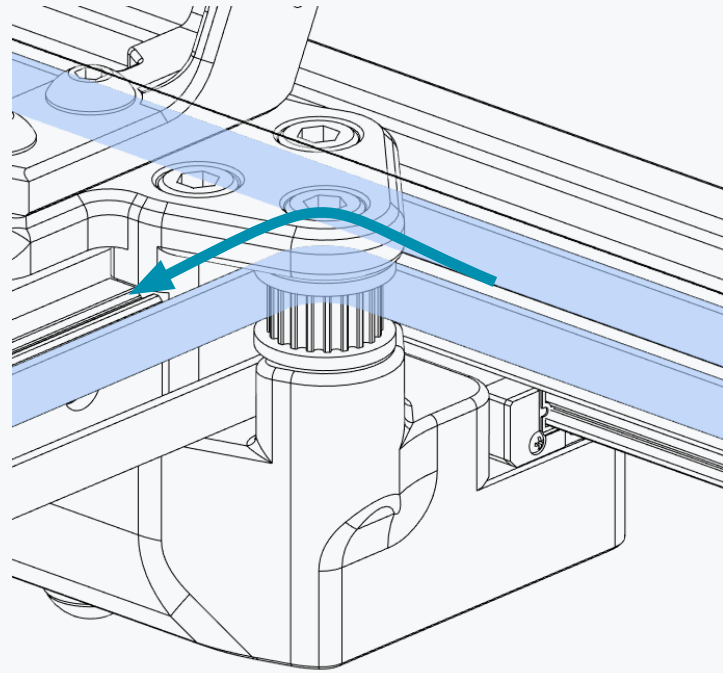
Follow the path pointed out by the arrows.
Needle nose pliers, tweezers or similar tools
can help in this step.

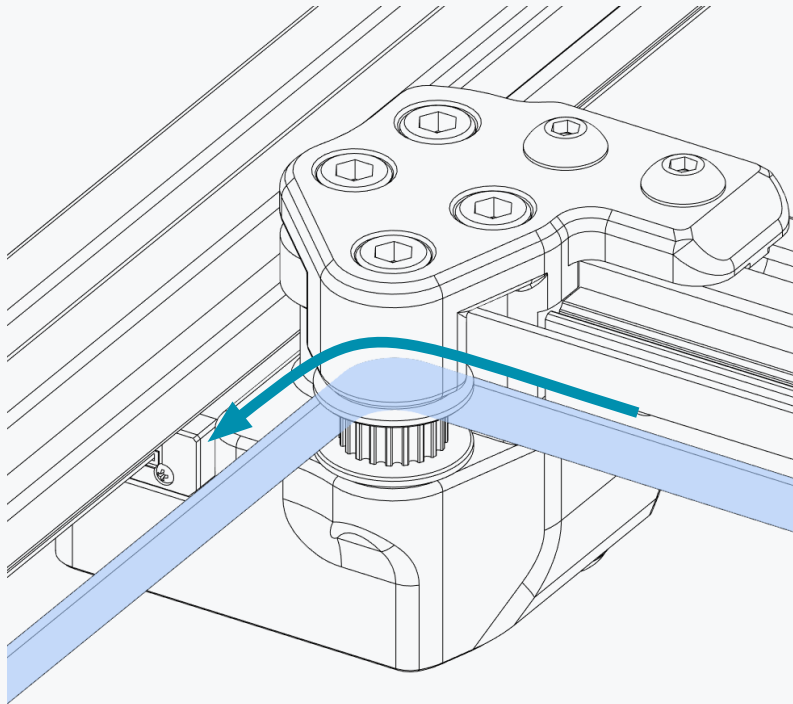




BELTING IDLERS

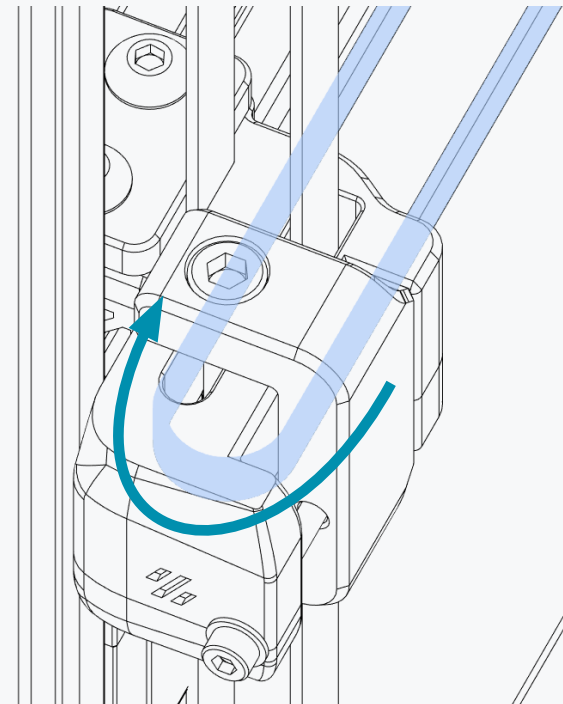
If you're having trouble guiding the belts around the bearing stack temporarily remove the M3x40 SHCS to get better access.





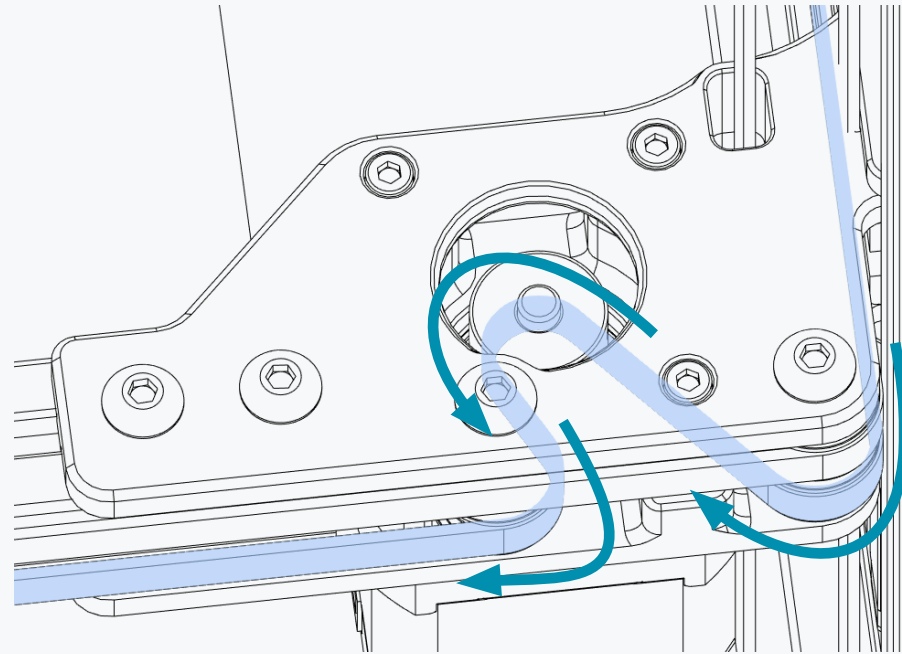
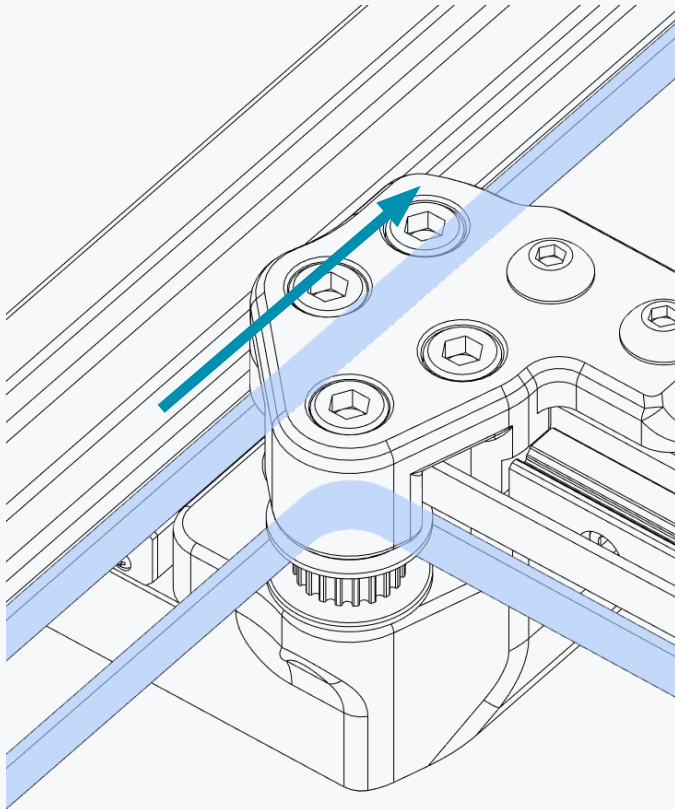
B BELT ROUTING

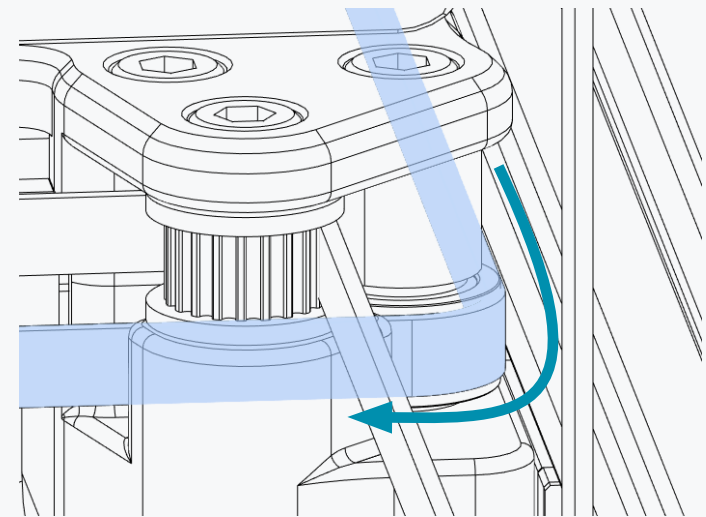
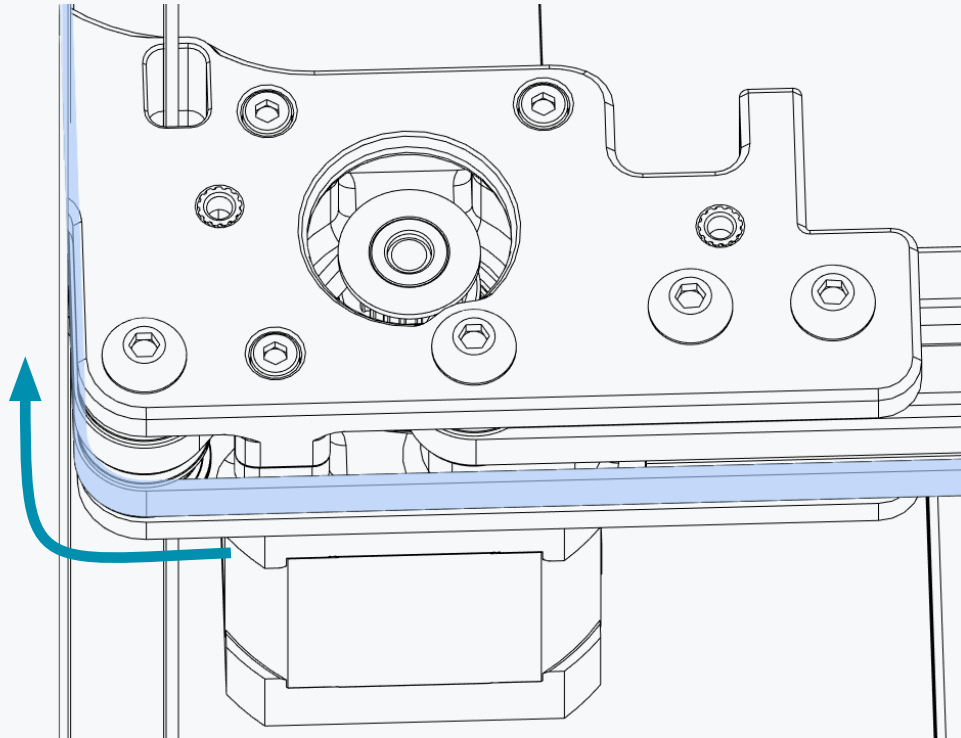
Follow the path pointed out by the arrows.
Needle nose pliers, tweezers or similar tools
can help in this step.

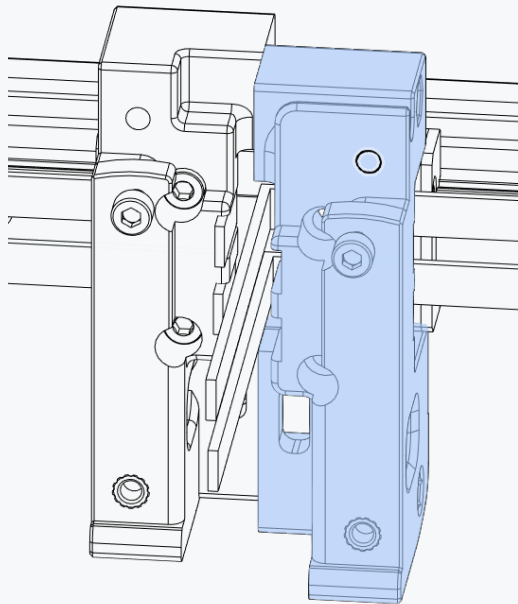


BELTING IDLERS

If you're having trouble guiding the belts around
the bearing stack temporarily remove the M3x40
SHCS to get better access.

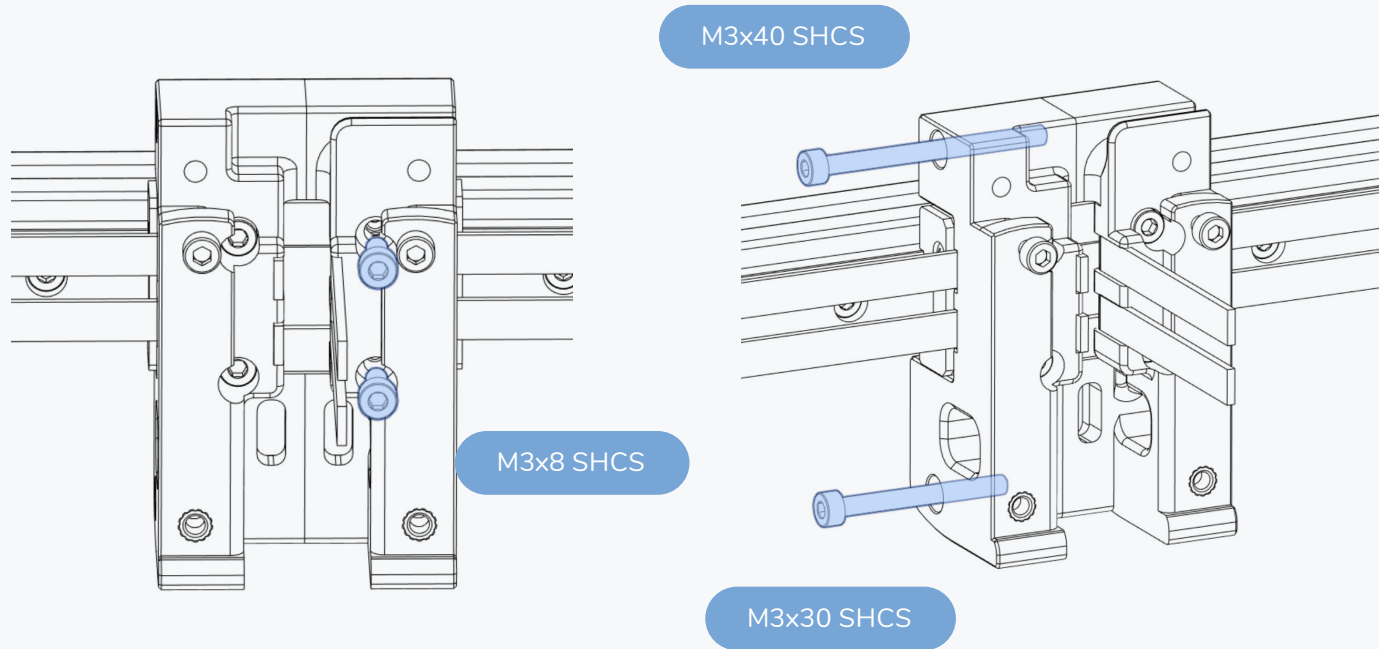






X CARRIAGE

Use the second part of the X carriage to capture the belt ends.

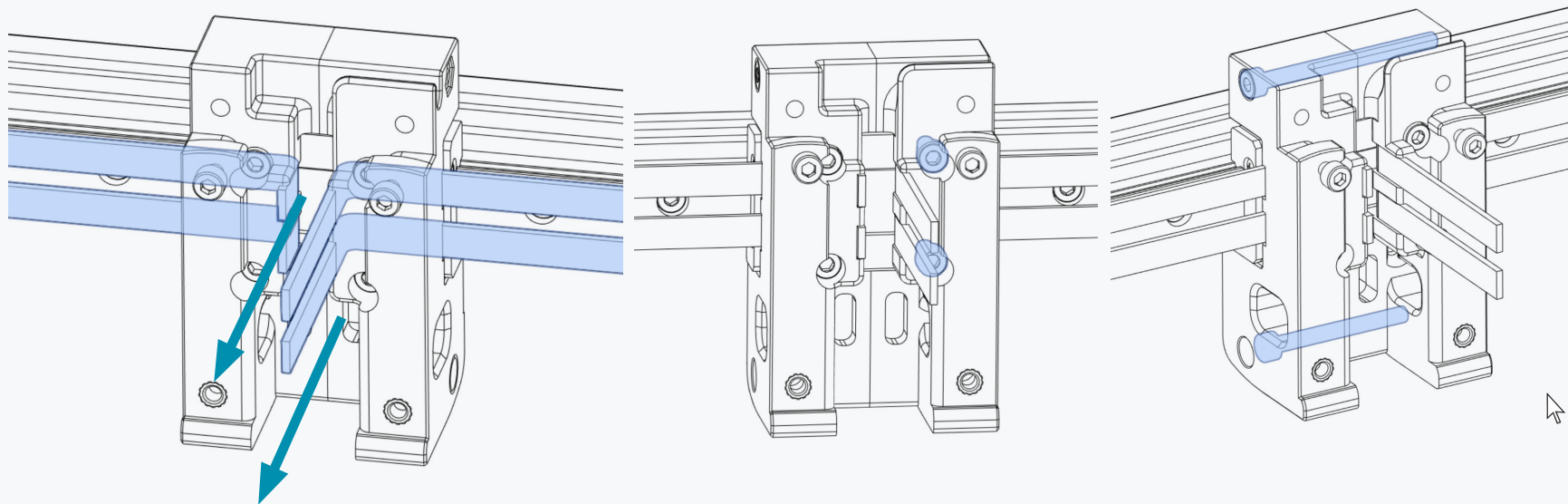


FIX BELTS

Lightly tighten the screws.
The belt must still be able to move.

LEAVE LOOSE

Lightly tighten the bolts.



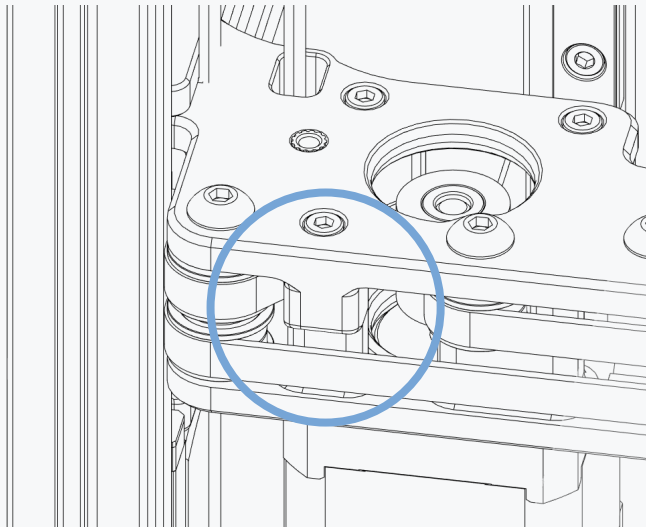
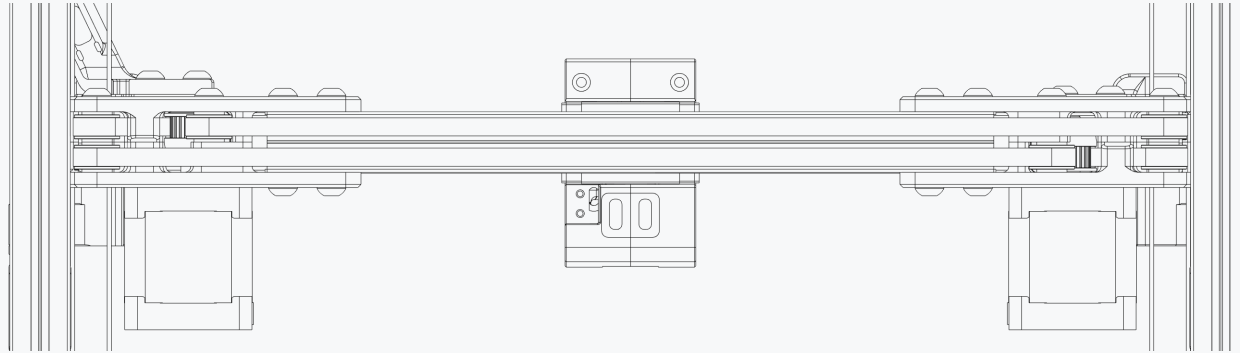
PULL TIGHT

Grab both belt ends with a pair of pliers and pull the belt tight.

As both belts are cut to the exact same total length and the belt paths are equal length in this design make sure the same length of belt protrudes from the carriage.

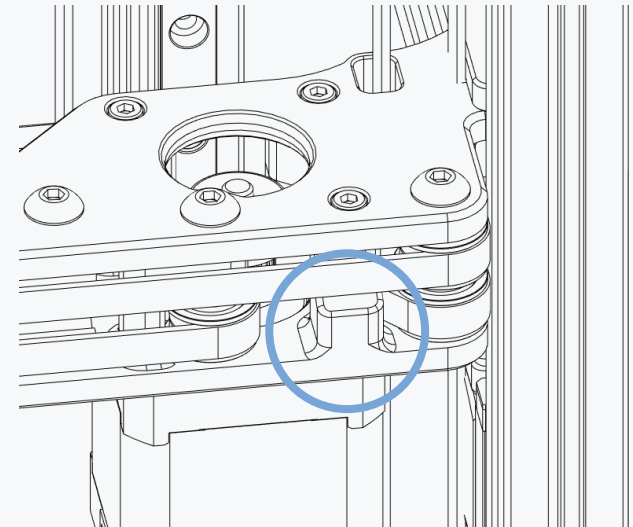
TIGHTEN BOLTS

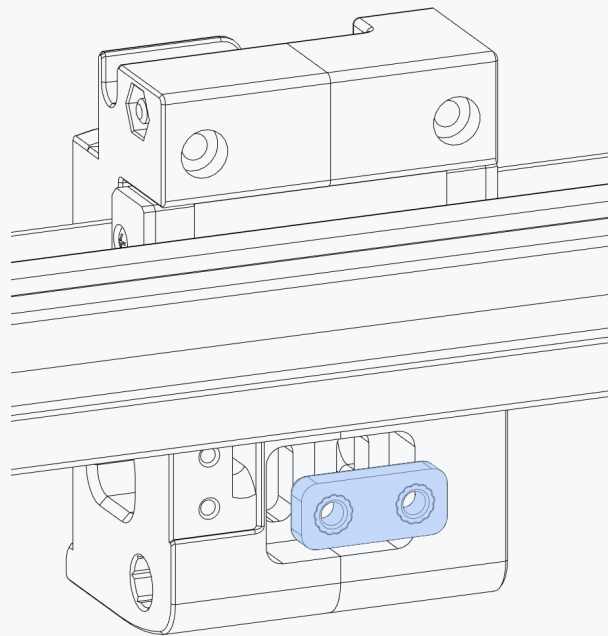
Fully tighten the carriage bolts.



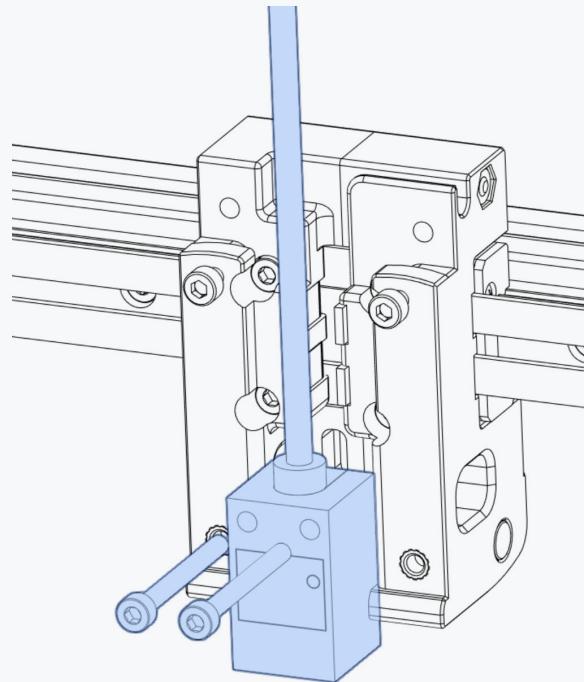
CHECK YOUR WORK

Make sure that the belt is not riding on the plastic parts.





M3x30 SHCS



Inductive Probe

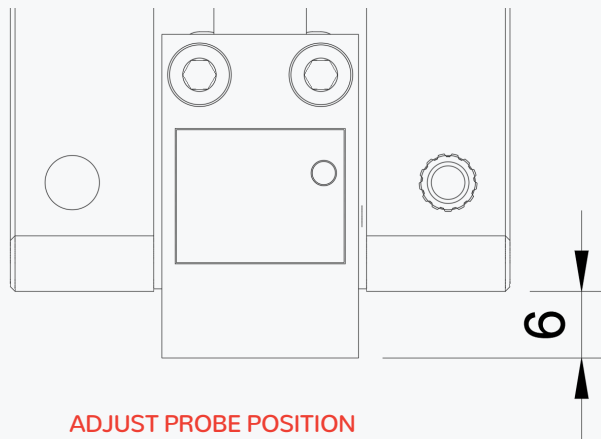
PROBE WIRES

Cut the probe wires to about 150mm.

OTHER PROBE TYPES

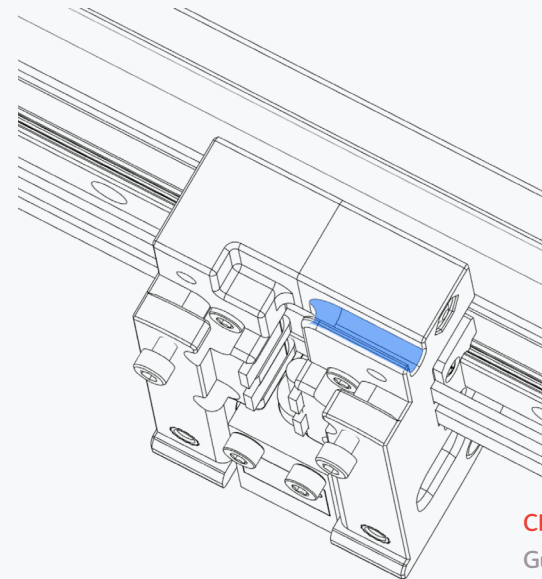
The picture shows the recommended Omron TL-Q5MC probe.

Other probes with a similar form factor and characteristics might work as well. A design for a PINDA probe adapter is included in the released files.



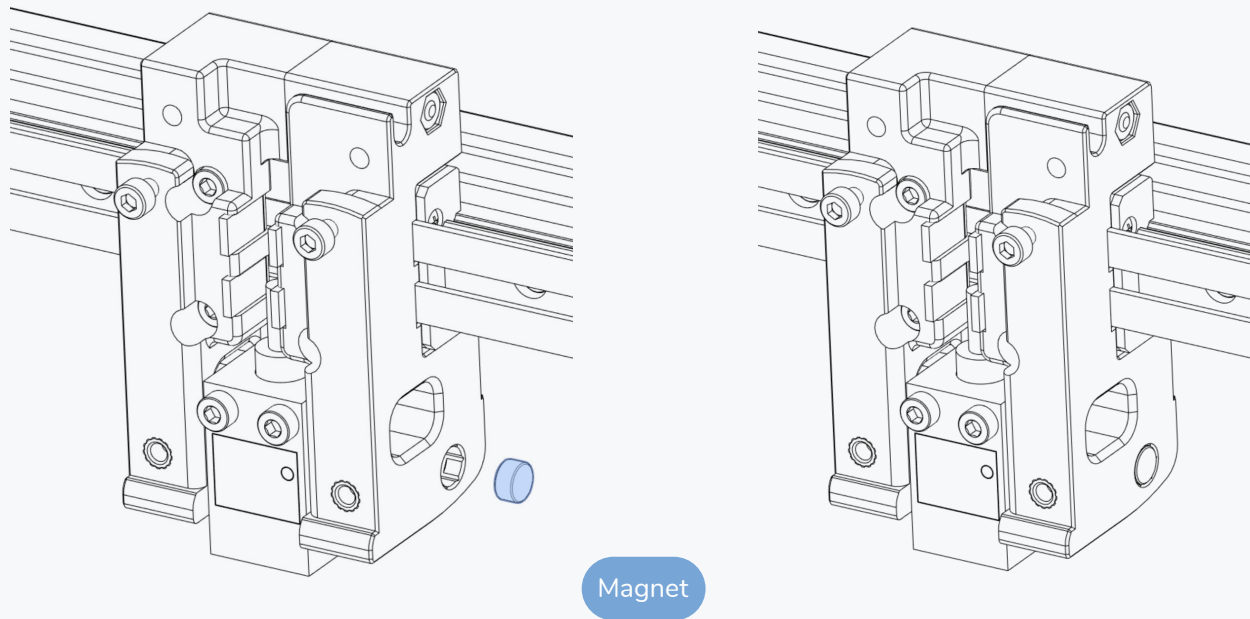
ADJUST PROBE POSITION

The position can be fine-tuned later. Set an initial position of about 6mm below the plastic part.



CHANNEL FOR PROBE CABLE

Guide the probe cable into the highlighted slot.



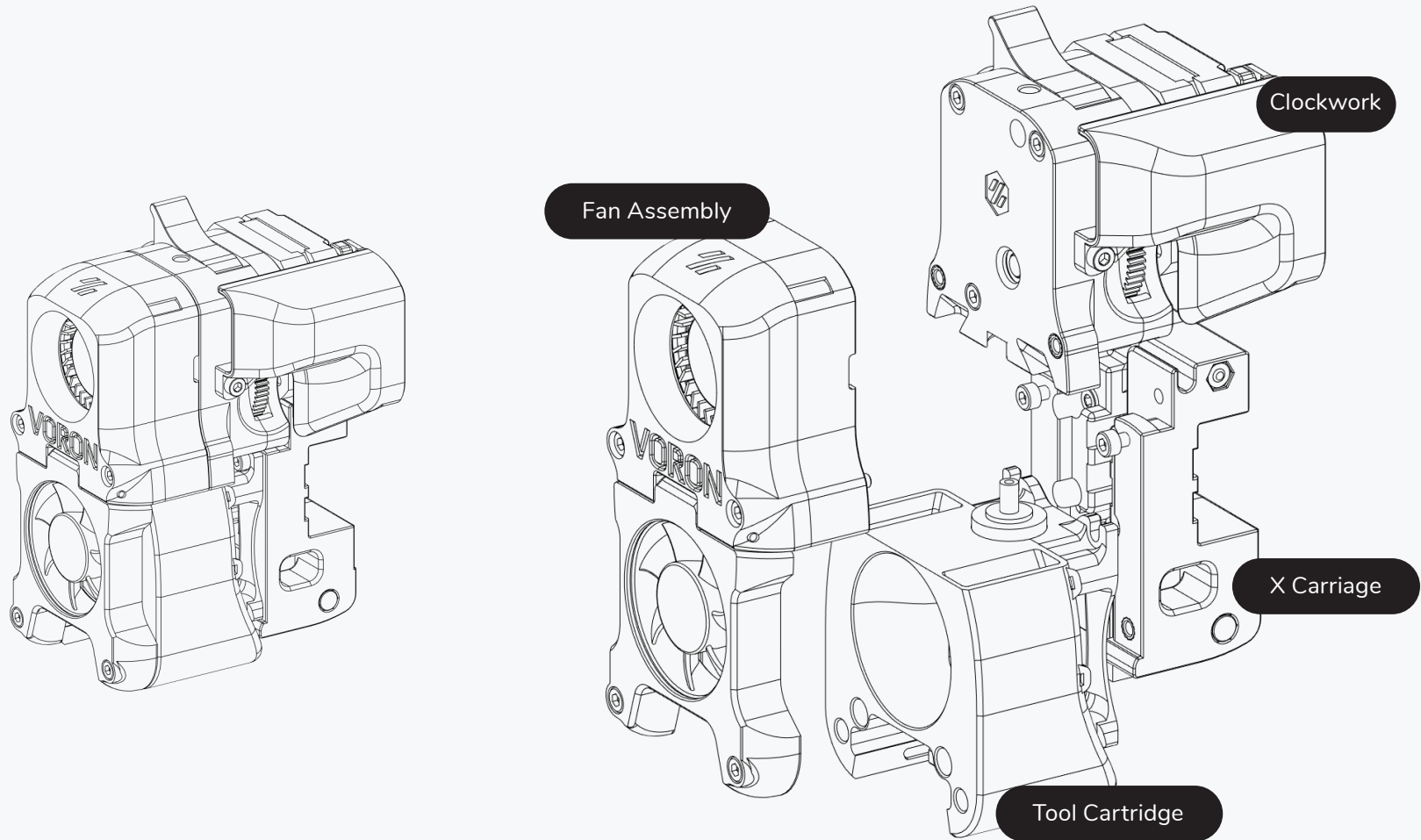
OPTION: HALL EFFECT ENDSTOP

If you are using a Hall Effect Endstop insert a 3x6 magnet into the highlighted position.

AFTERBURNER

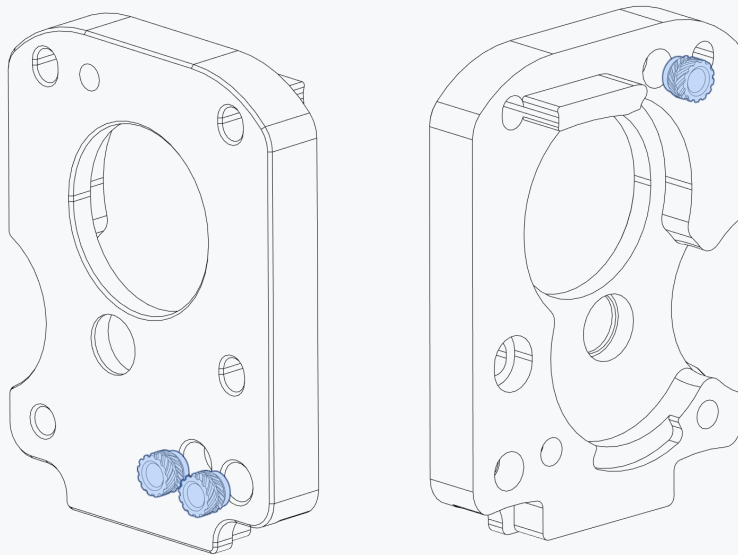
WWW.VORONDESIGN.COM





HEAT SET INSERTS

WWW.VORONDESIGN.COM



HEAT SET INSERTS

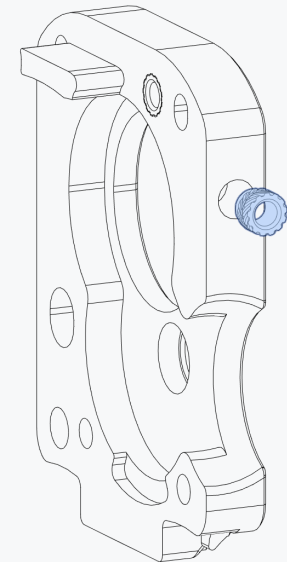
You will need to install heat set inserts into various plastic parts.

If you need help on the correct procedure, ask in Discord.

Heat Set Insert

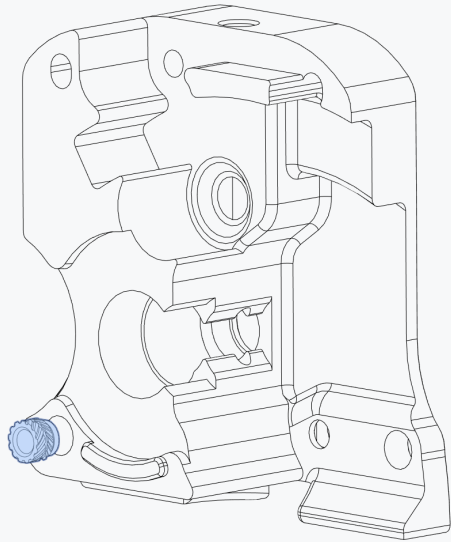
OPTION: TOOLHEAD PCB

If you opt to use a toolhead PCB, add an additional heat set insert into the alternate part.

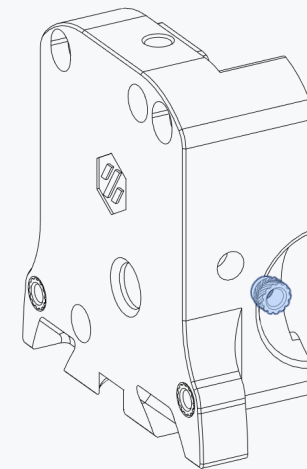
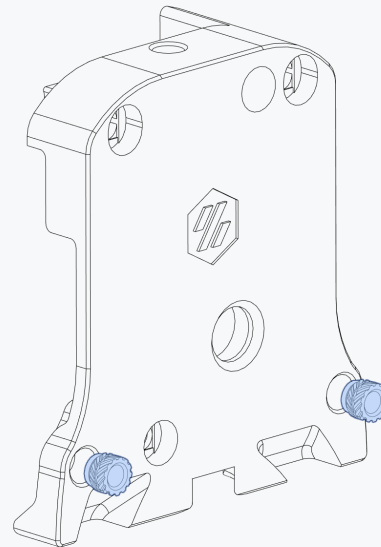


HEAT SET INSERTS

WWW.VORONDESIGN.COM

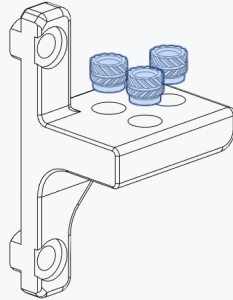


Heat Set Insert



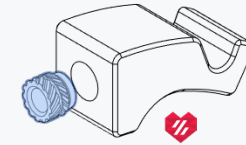
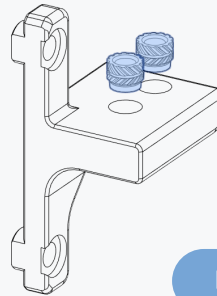
GENERIC CABLE CHAINS

The 3 hole pattern is usually found on generic cable chains.

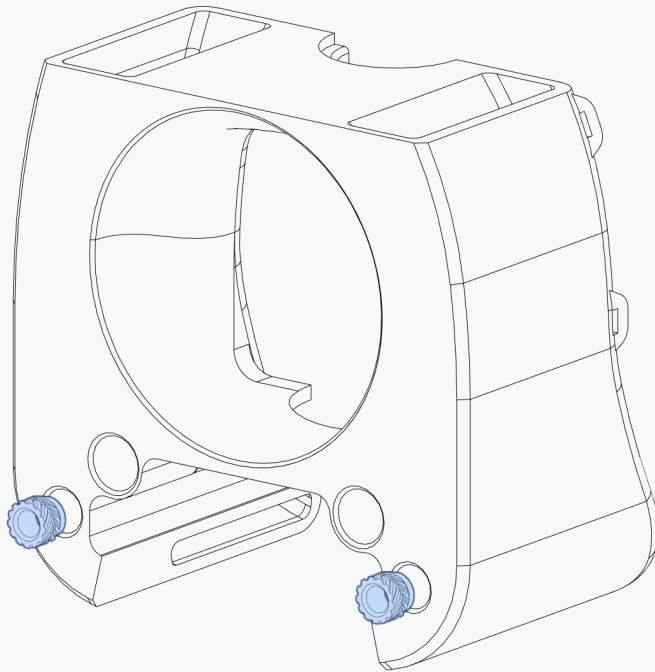


IGUS CABLE CHAINS

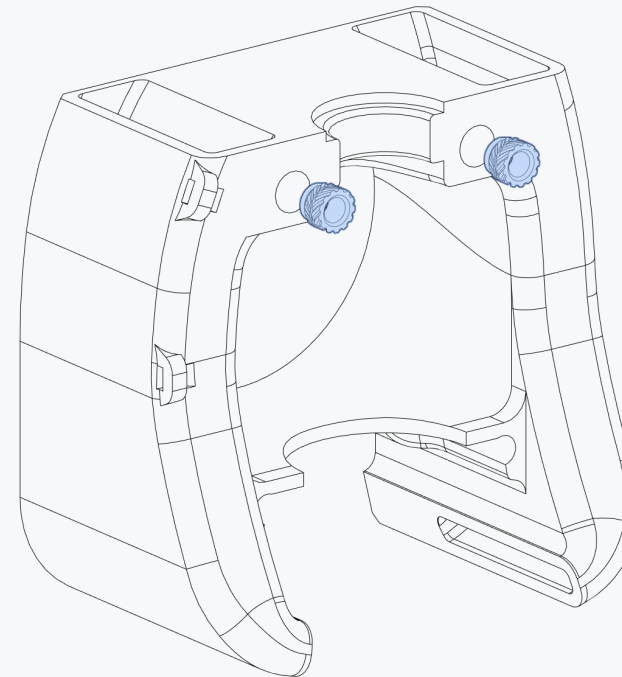
IGUS chains have 2 mounting holes.



Heat Set Insert



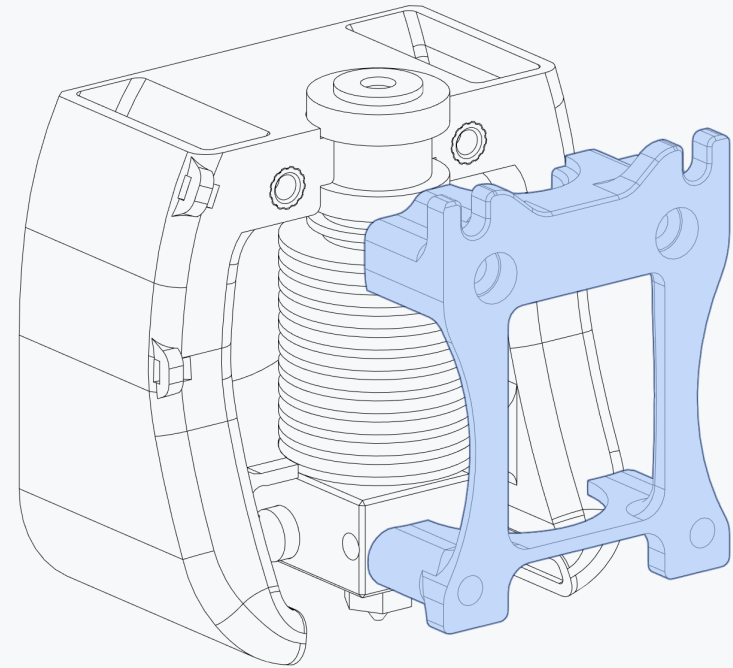
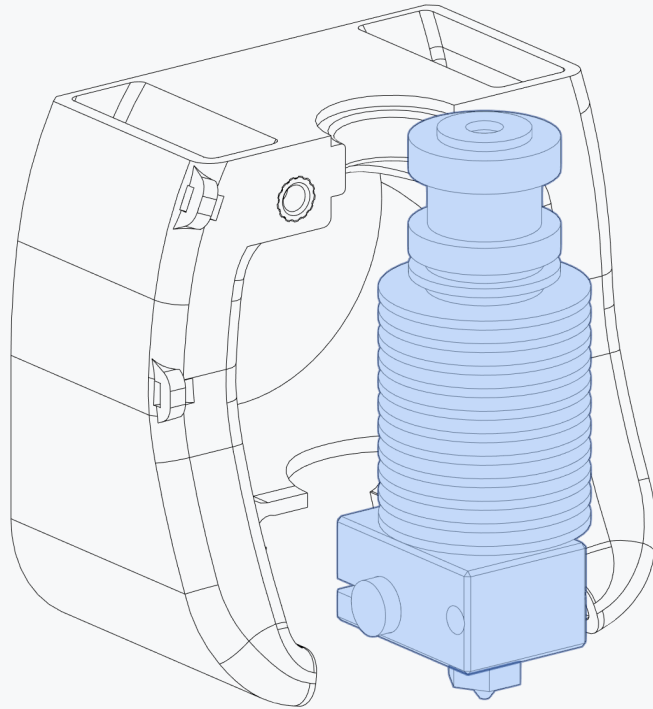
Heat Set Insert



AVAILABLE MOUNTS

We also provide mounts for other hotends.

They are assembled in a similar manner.

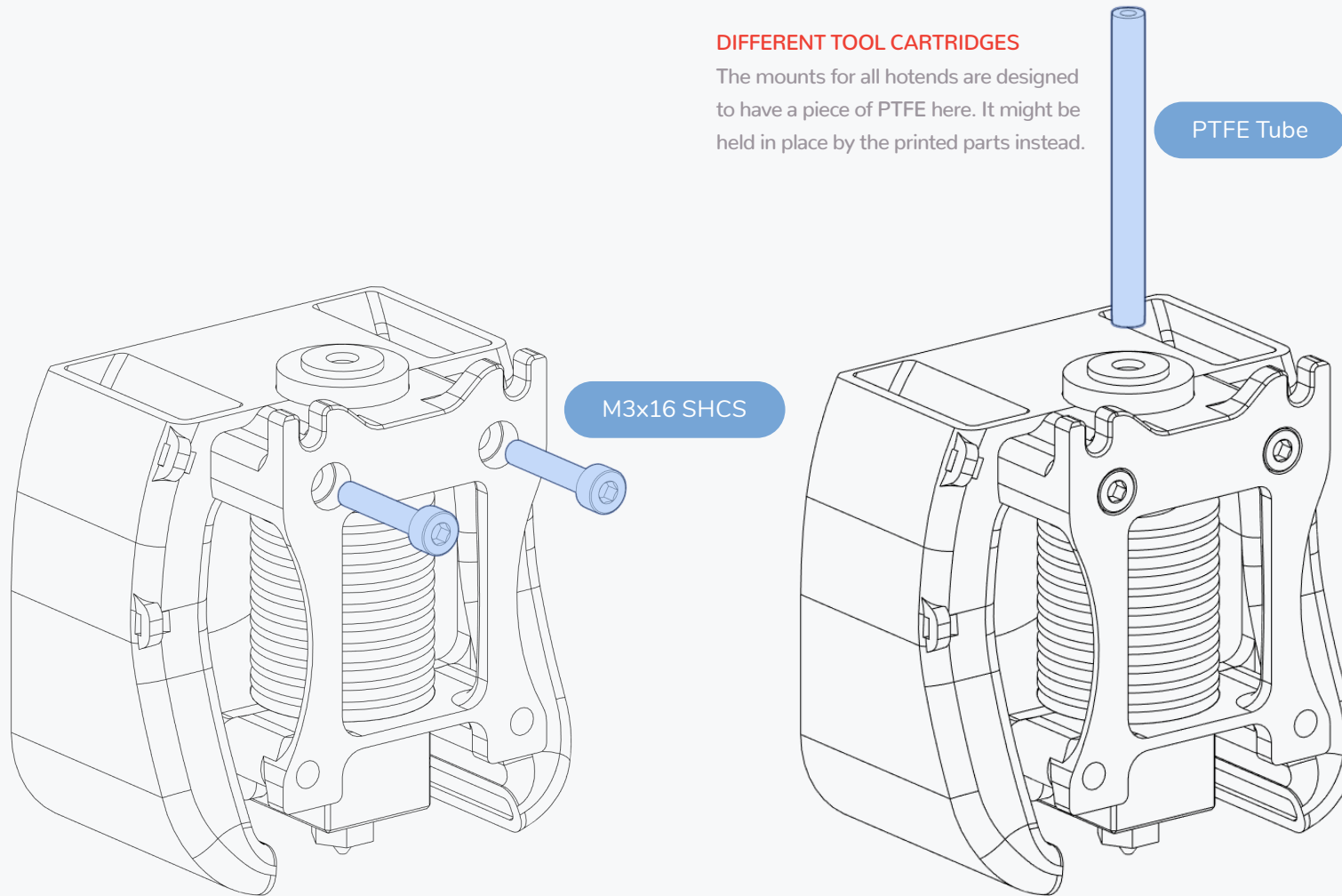
**HEATER AND SENSOR**

We do not show the heater and temperature sensor cartridge in the drawing. Install them prior to assembling the toolhead.

E3D V6 Hot End

DIFFERENT TOOL CARTRIDGES

The mounts for all hotends are designed to have a piece of PTFE here. It might be held in place by the printed parts instead.



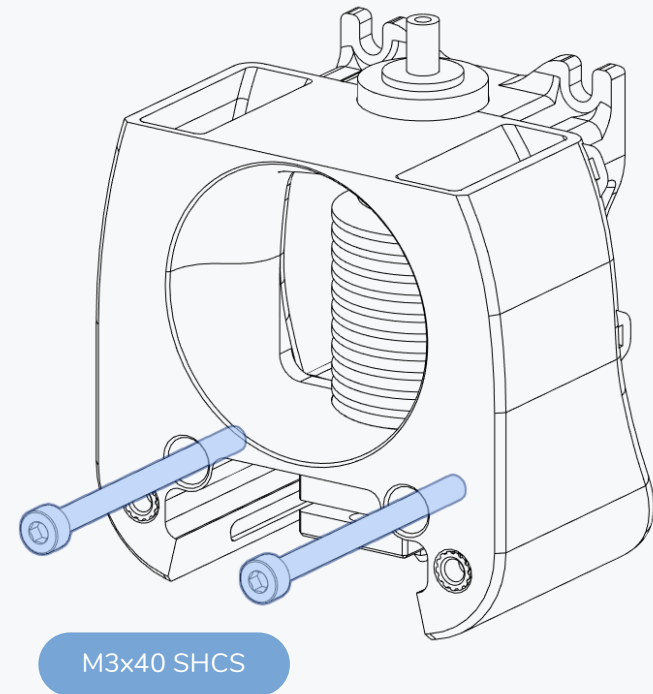
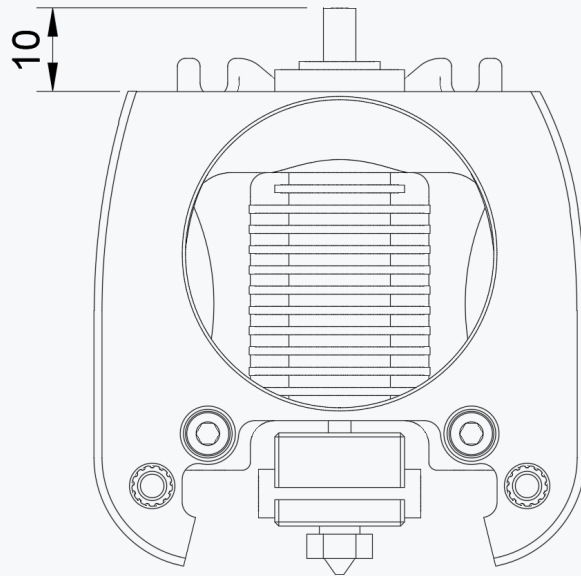
TOOL CARTRIDGE

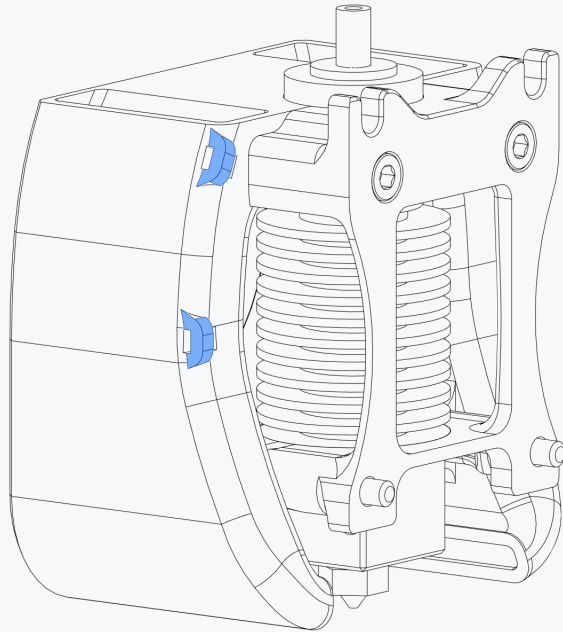
WWW.VORONDESIGN.COM

PTFE STICKOUT

The PTFE tube should end 10mm above the surface of the printed part.

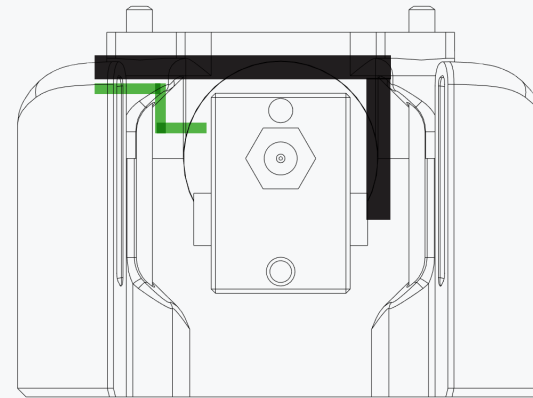
The stick out length might vary if you use an extruder other than the Clockwork.





WIRING PATH

Guide the wires in the highlighted path.

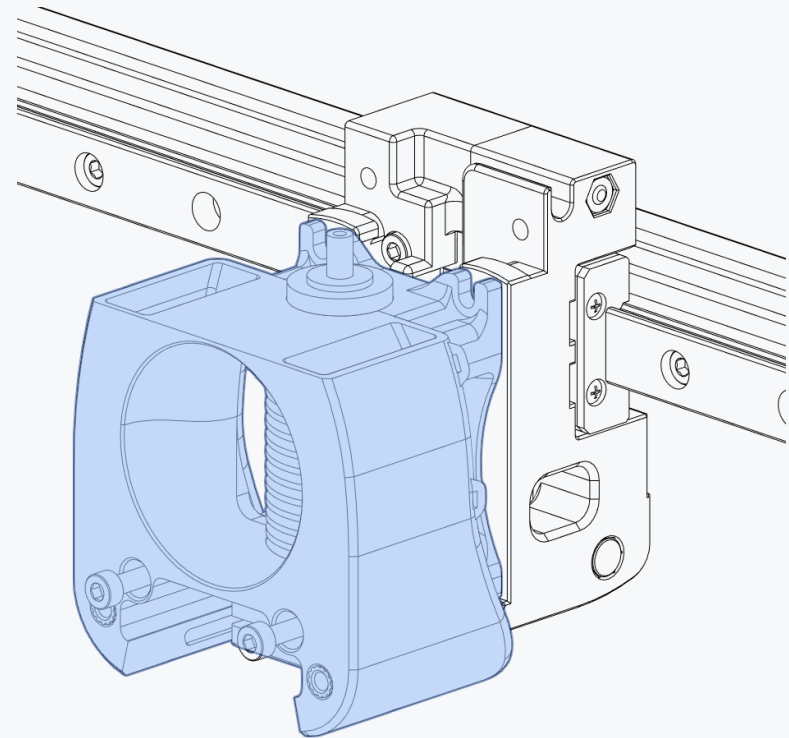
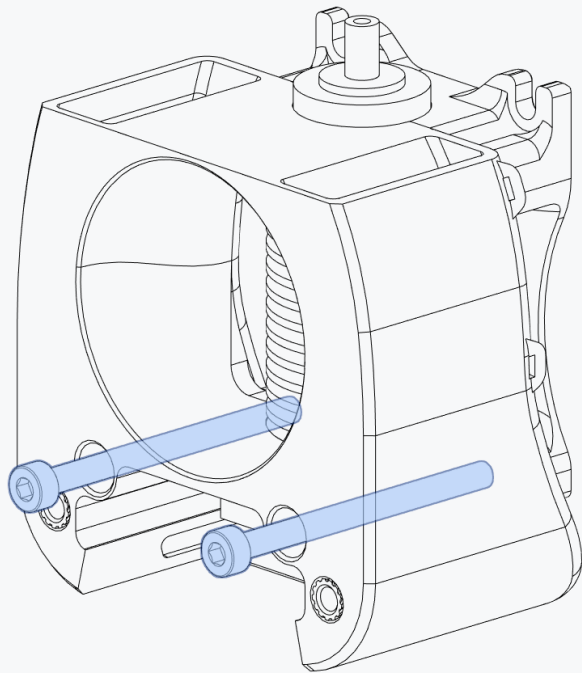


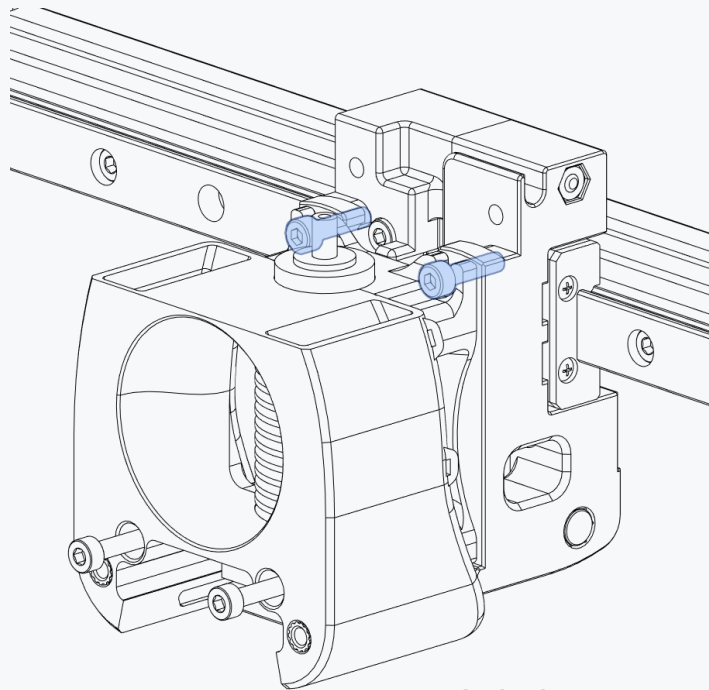
CHECK ORIENTATION

The heater block must point forwards.

TOOL CARTRIDGE

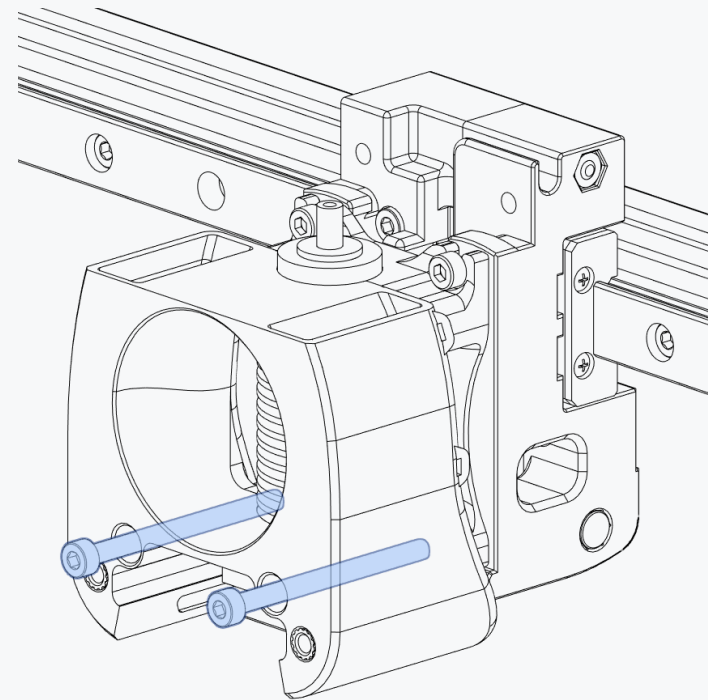
WWW.VORONDESIGN.COM





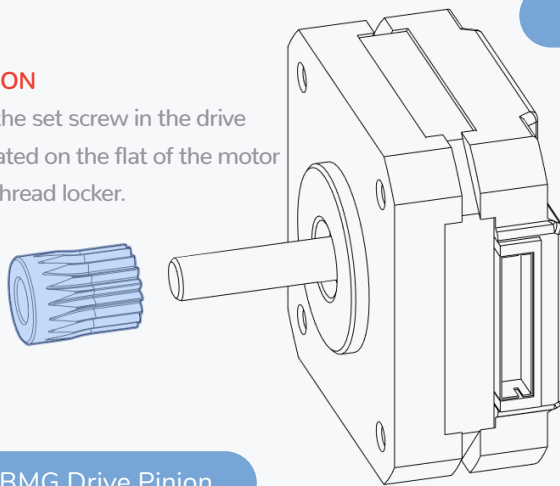
INDEXING BOLTS

The bolts are used to index the tool cartridge. Leave them slightly loose so that the cartridge can be slid out.



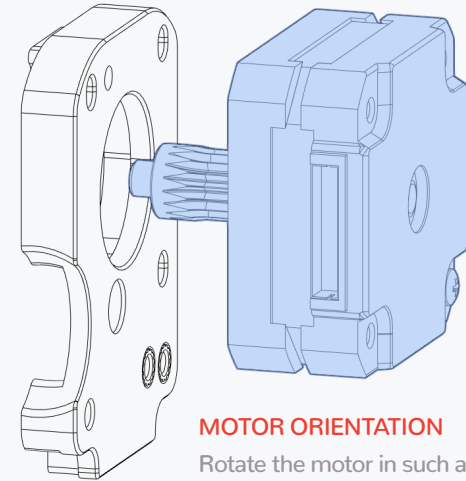
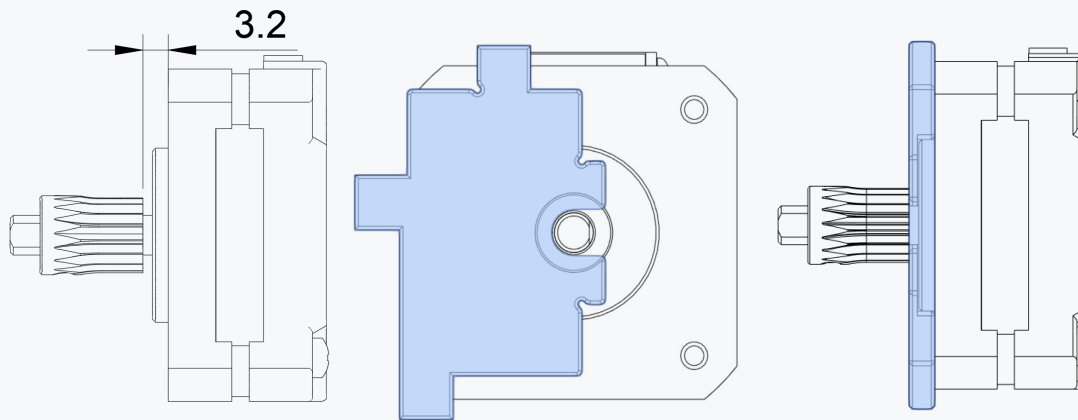
DRIVE PINION

Make sure the set screw in the drive pinion is seated on the flat of the motor shaft. Use thread locker.



NEMA 17 Stepper

BMG Drive Pinion



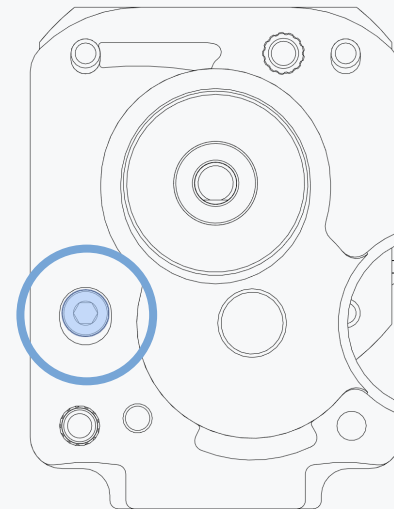
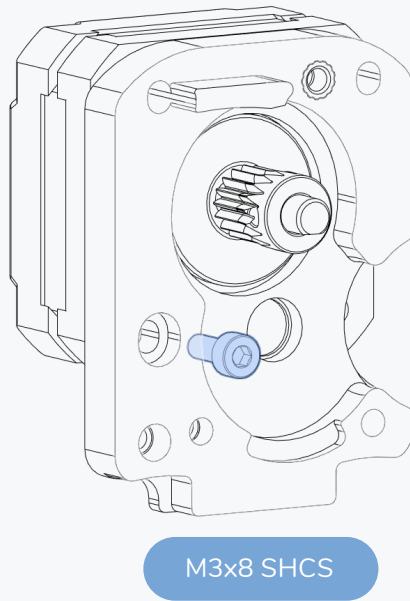
MOTOR ORIENTATION

Rotate the motor in such a way that the connector/wires are on the left side when looking at it from the back.

This side will be covered by the cable cover later.

MOTOR PLATE

WWW.VORONDESIGN.COM

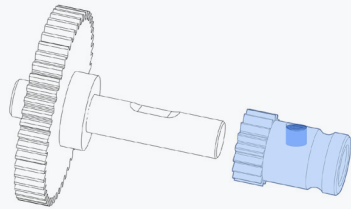


ADJUSTABLE MOTOR POSITION

The motor position is adjustable to allow for a proper meshing of the drive gears.

Start in the topmost position of the slot.

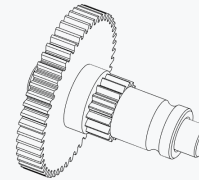
DRIVE GEAR



BMG Drive Gear

DRIVE GEAR

Make sure the set screw in the filament drive gear is seated against the notch in the shaft. Carefully tighten the set screw, the head is easy to strip.

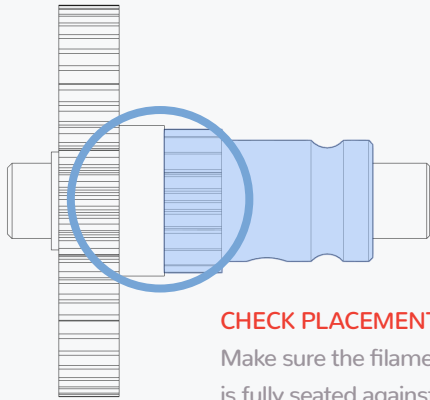


MR85 Bearing

CHECK BEARING FIT

The bearings must slip on and off the shaft easily to allow the gear to self-centre. Do not shim into position.

Pressing the bearings on the shaft will damage them. Lightly sand the shaft if required.

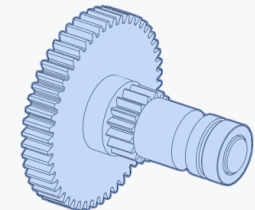
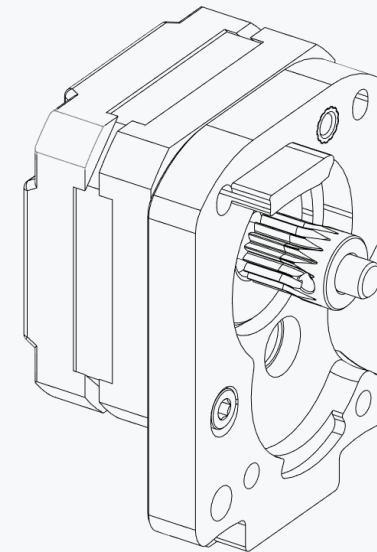


CHECK PLACEMENT

Make sure the filament drive gear is fully seated against the drive shaft gear.

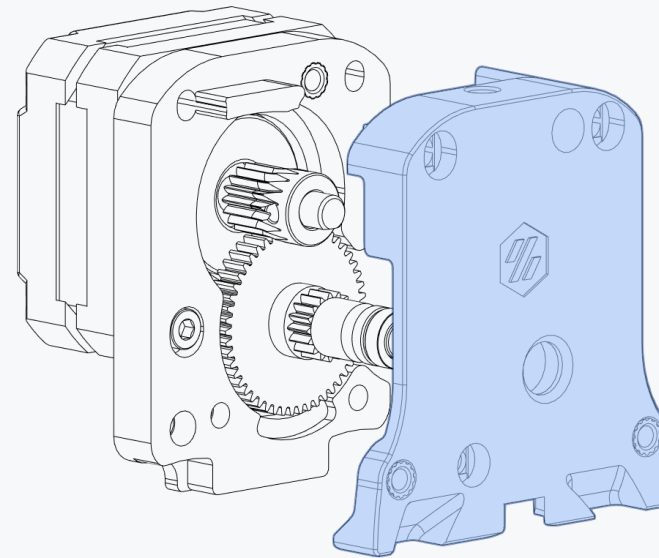
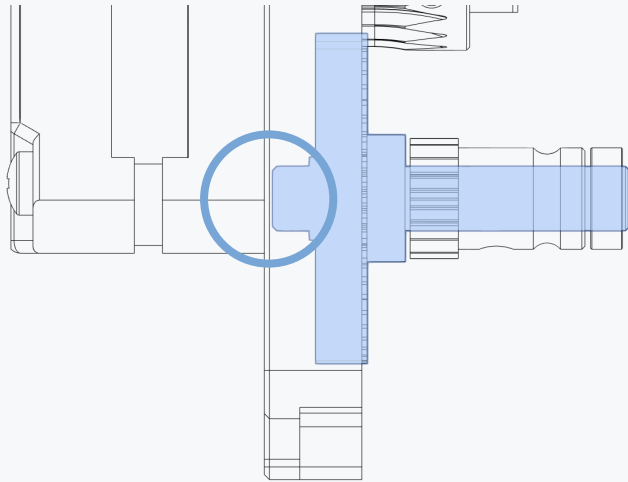


<https://voron.link/p0xac5e>



MAIN BODY

WWW.VORONDESIGN.COM



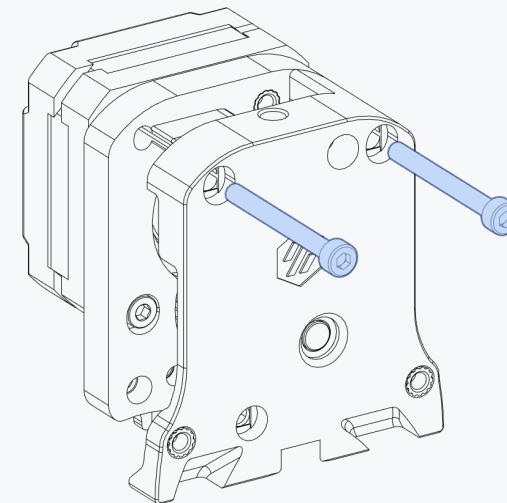
M3x30 SHCS

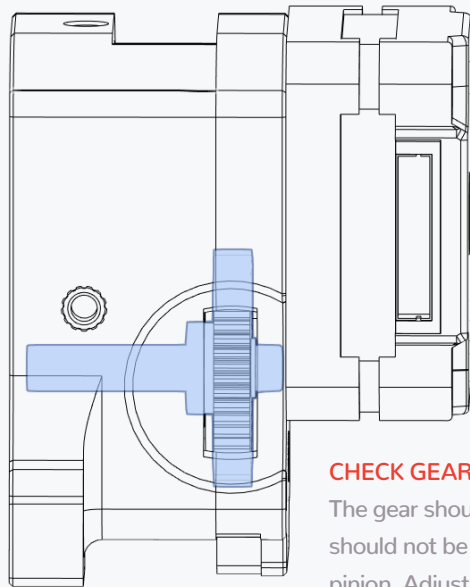
CHECK FOR CLEARANCE

The drive shaft must not touch the motor housing.

Check if the shaft has sufficient clearance when fully seated.

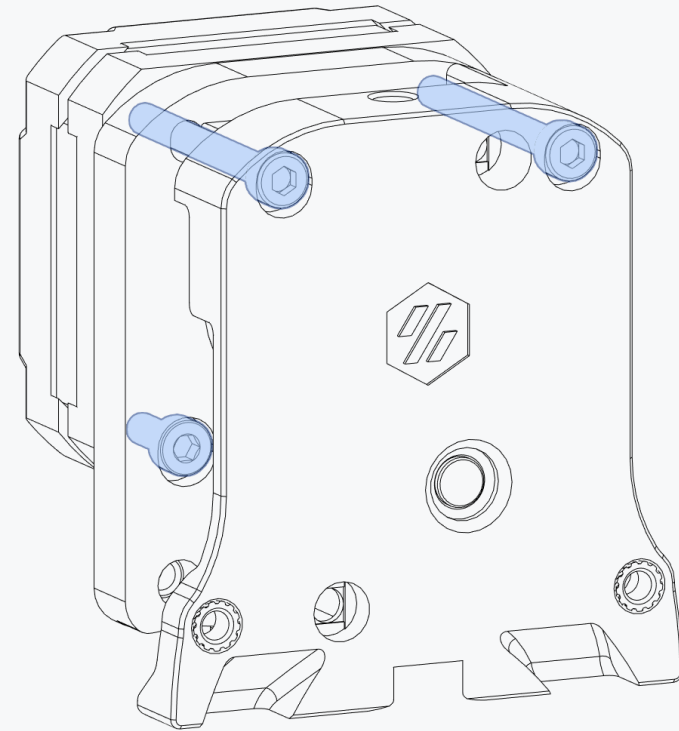
Sand the face of shaft if required.





CHECK GEAR PLAY

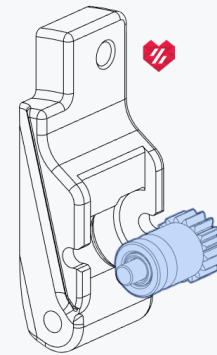
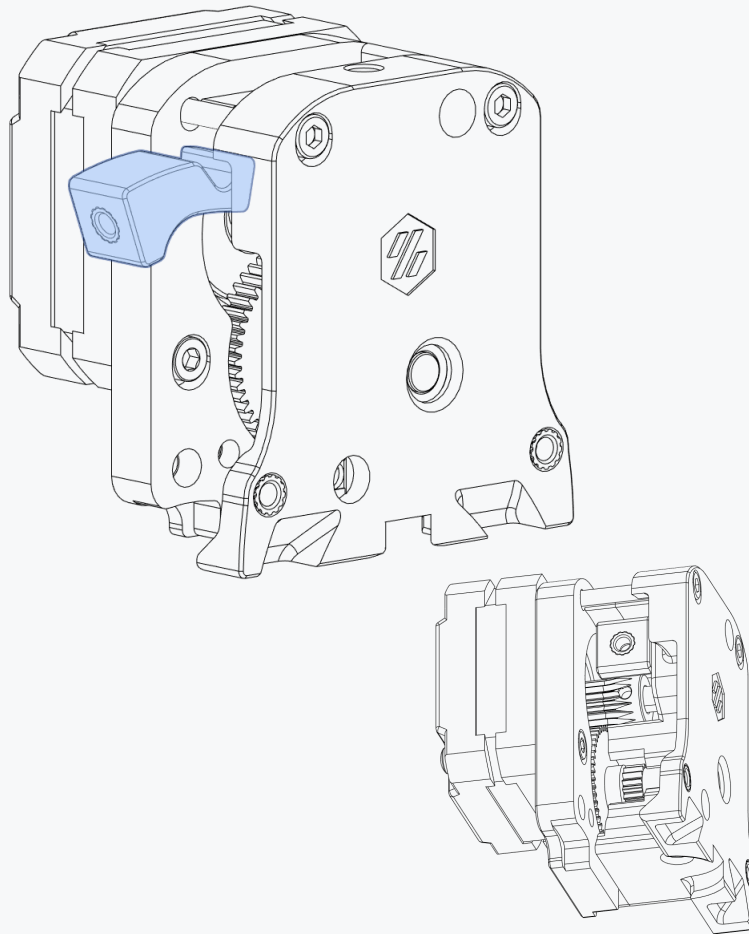
The gear should have a slight play and should not be fully tight against the pinion. Adjust the position of the motor until you have a faint play.



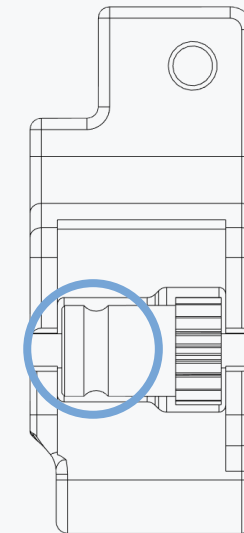
LUBRICATE BEARINGS

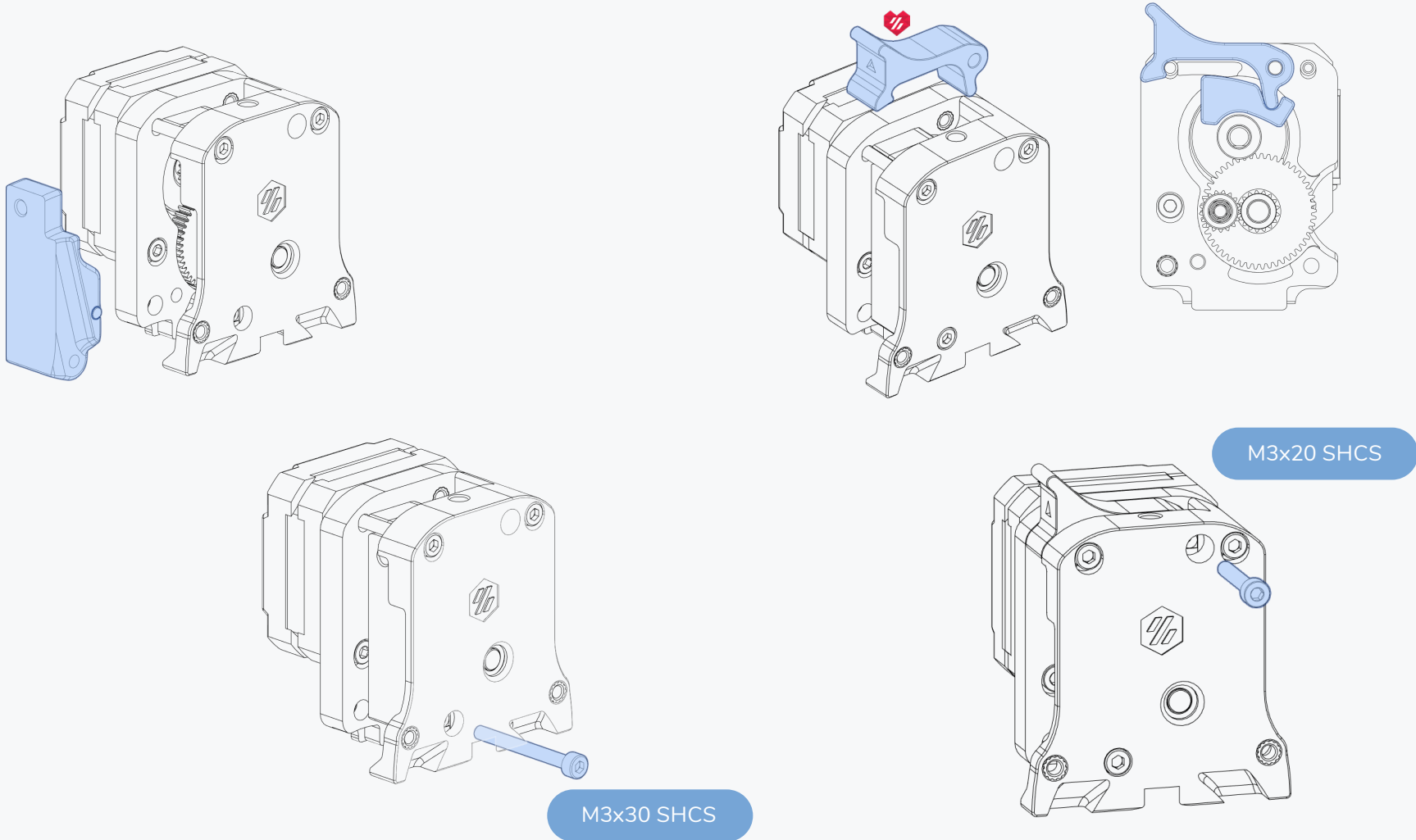
A lubrication film is required to ensure smooth operation and longevity. Refer to the BOM for lubricant options - look for a "light grease".

BMG Idler Assembly



<https://voron.link/dncvwdm>

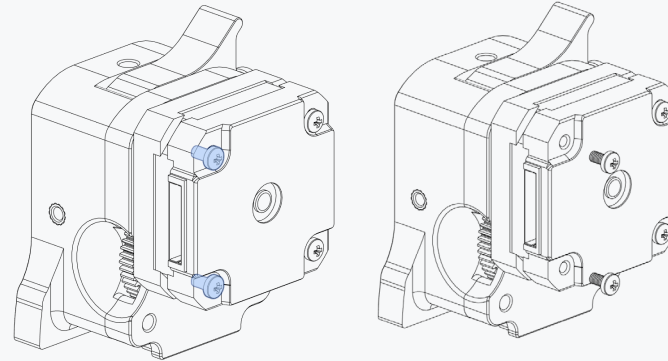
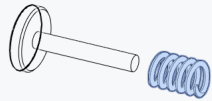




CABLE COVER

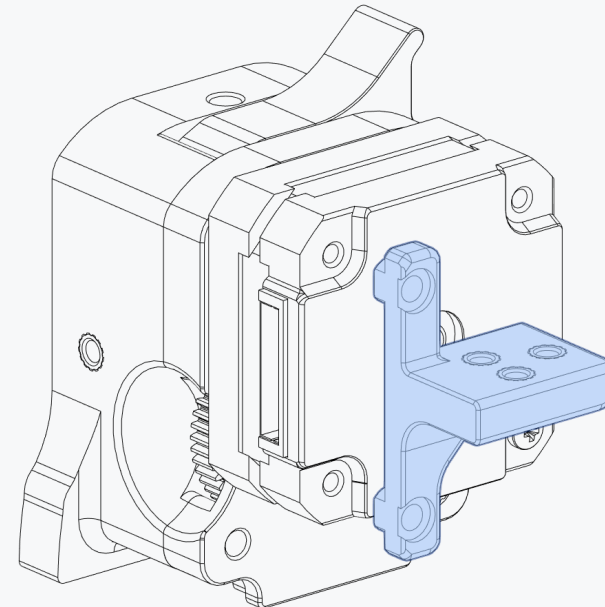
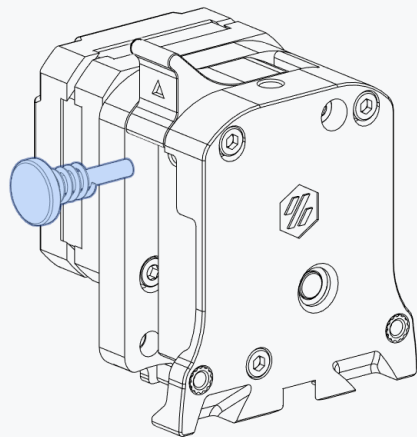
WWW.VORONDESIGN.COM

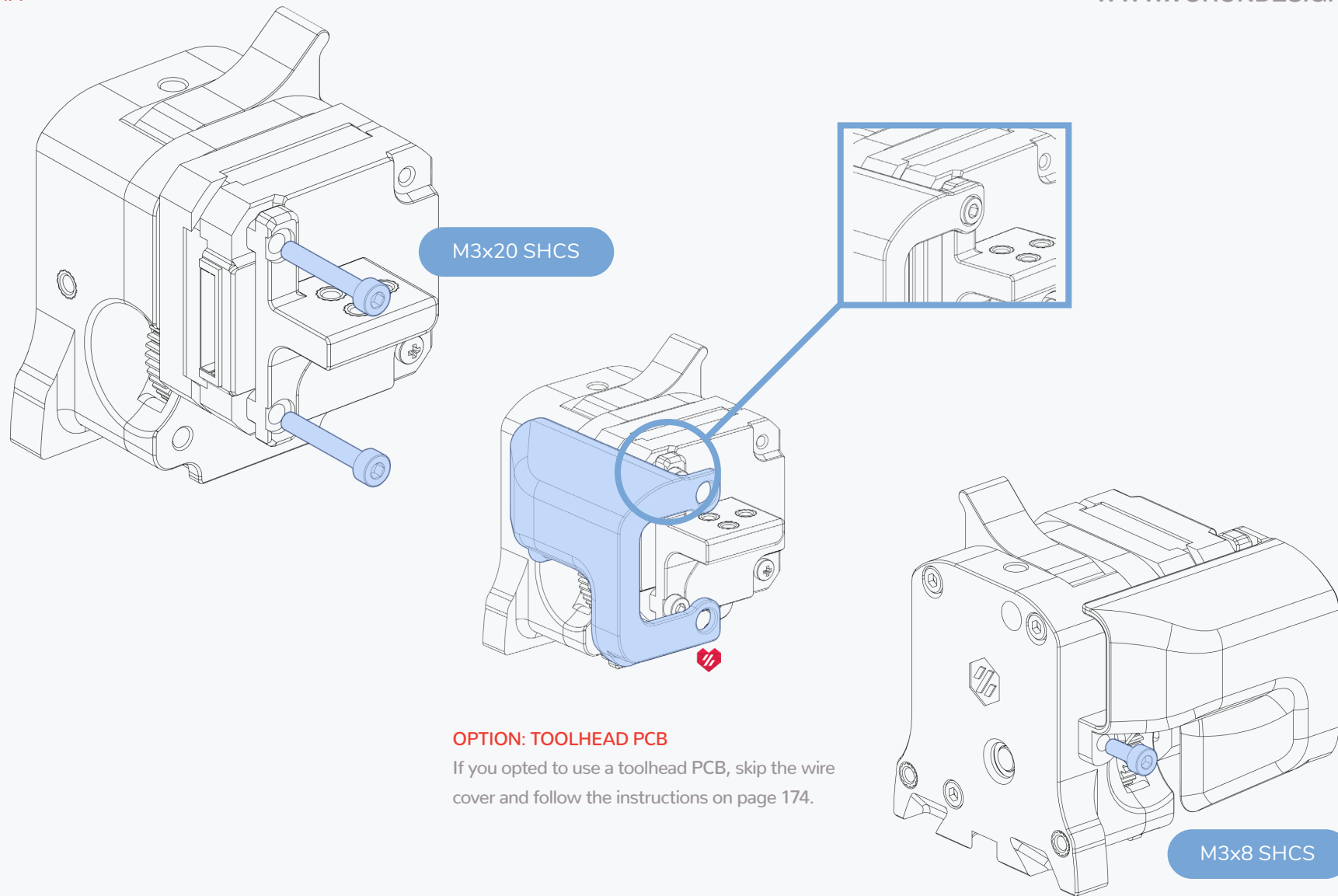
BMG Thumb Screw



REMOVE SCREWS

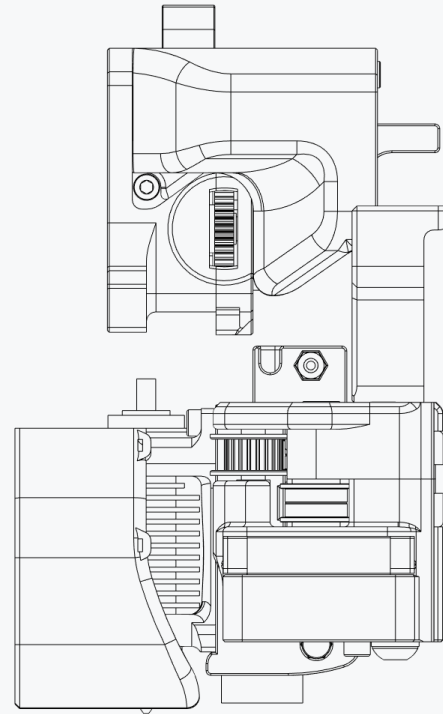
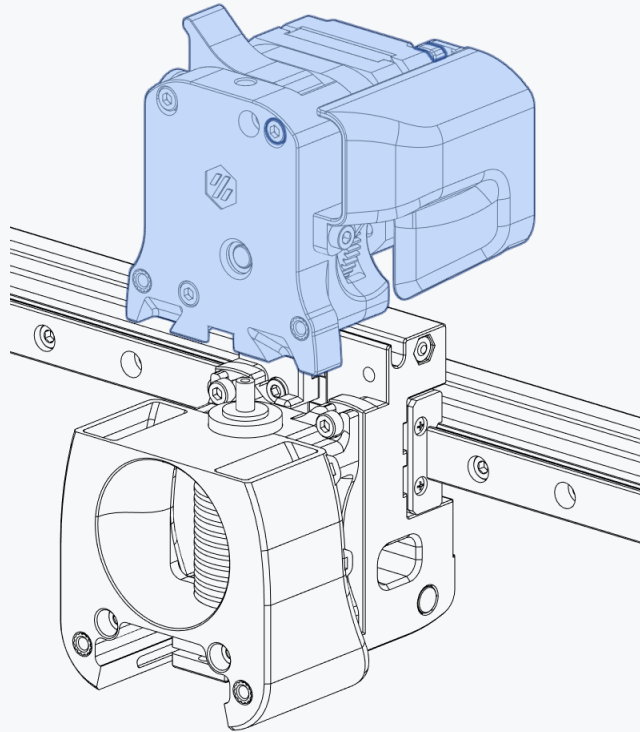
Carefully remove the screws from the left side of the motor. They will be replaced with new bolts in the next step.

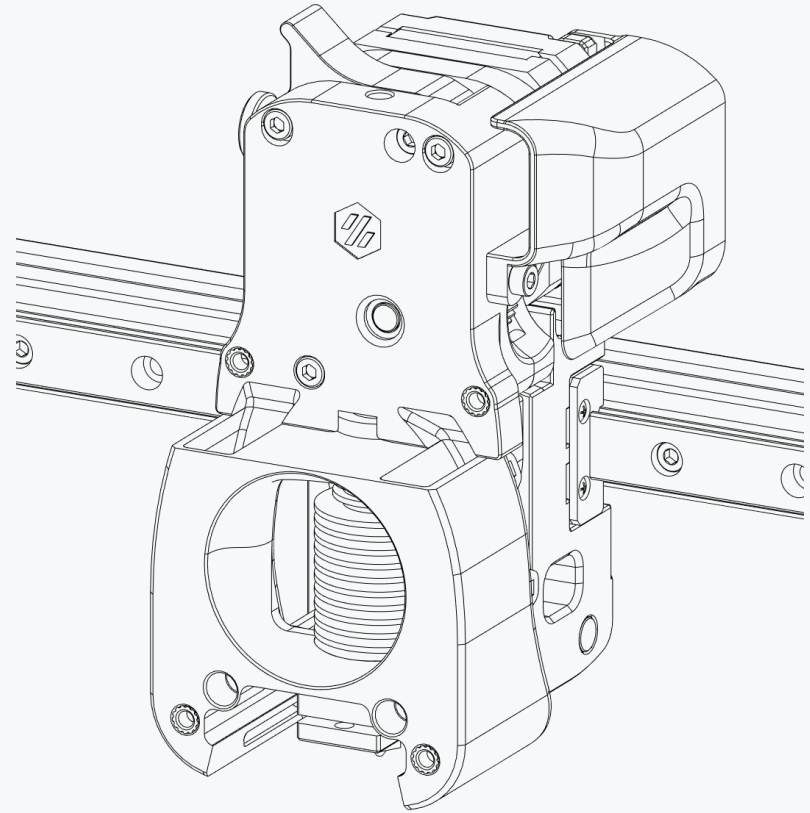
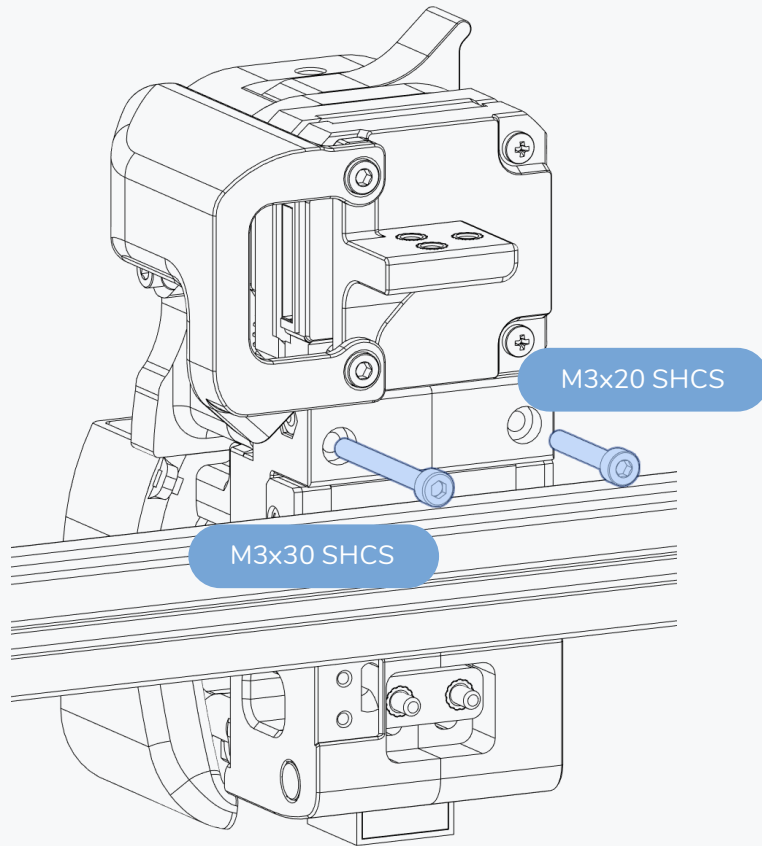


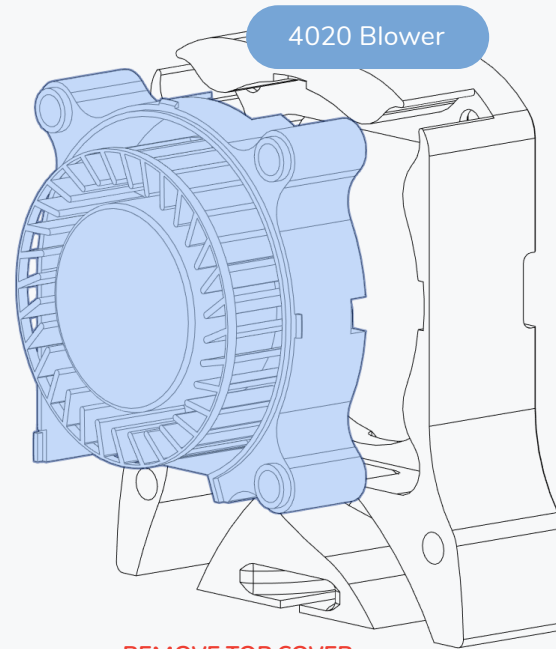
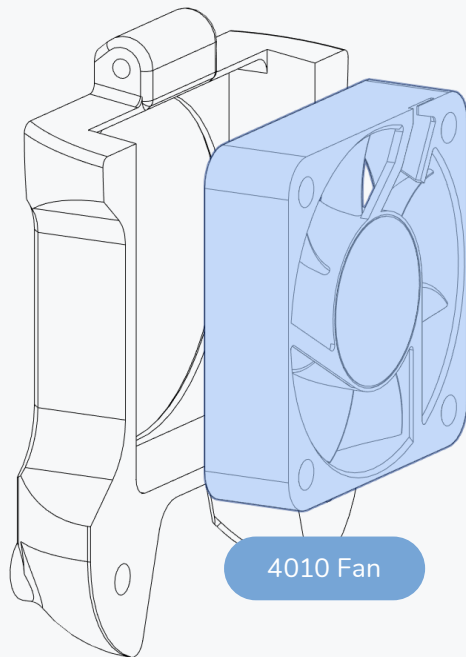


OPTION: TOOLHEAD PCB

If you opted to use a toolhead PCB, skip the wire cover and follow the instructions on page 174.





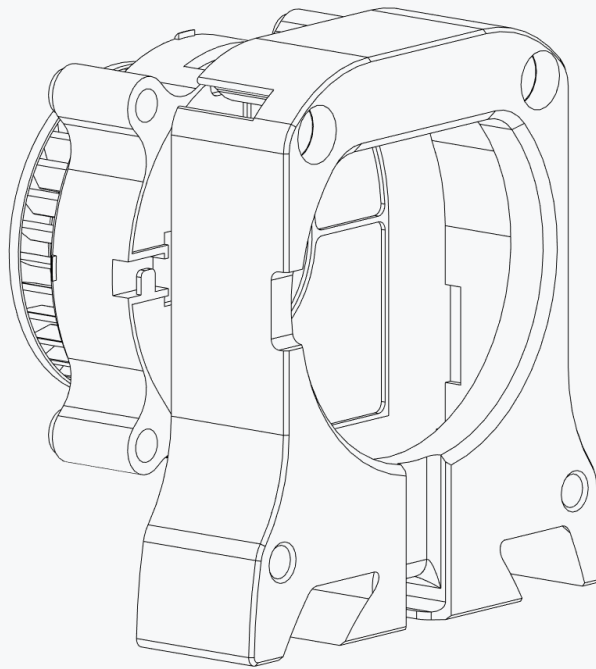


REMOVE TOP COVER

Split the fan open by bending the tabs on the side.

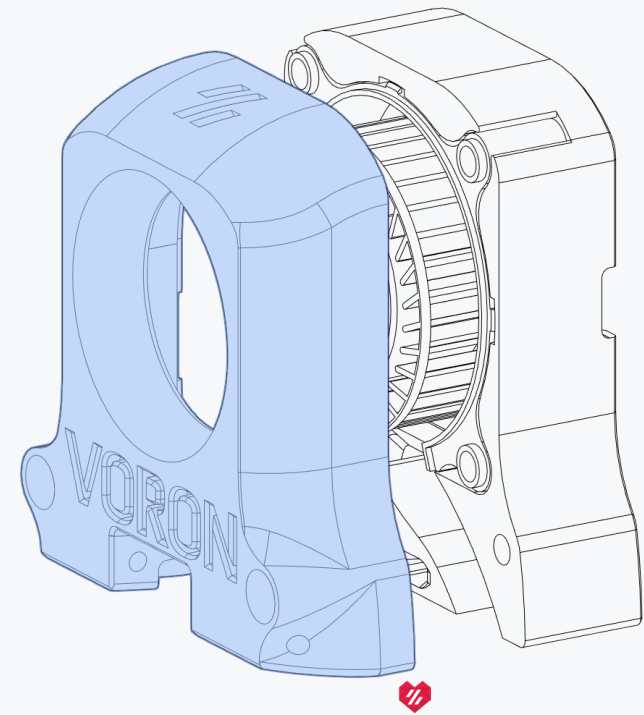


<https://voron.link/vyvtcpa>



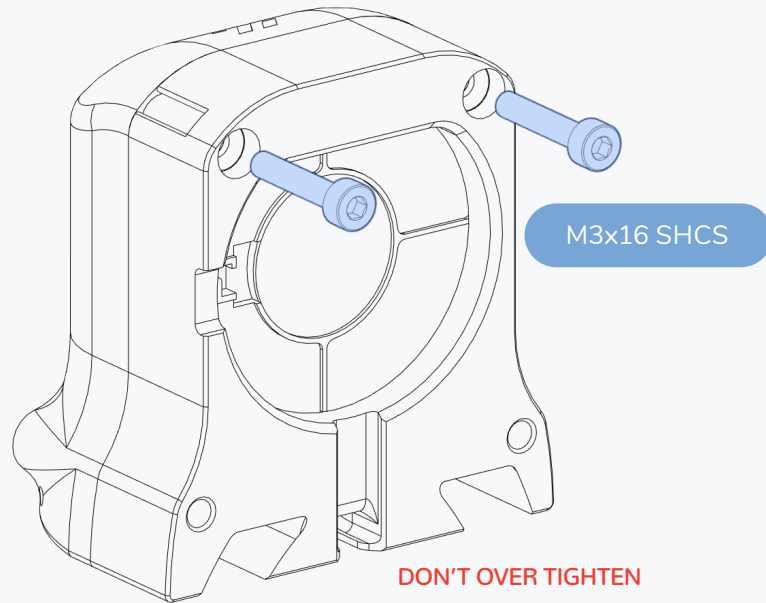
WIRING PATH

Route the wires through the large opening in the back.



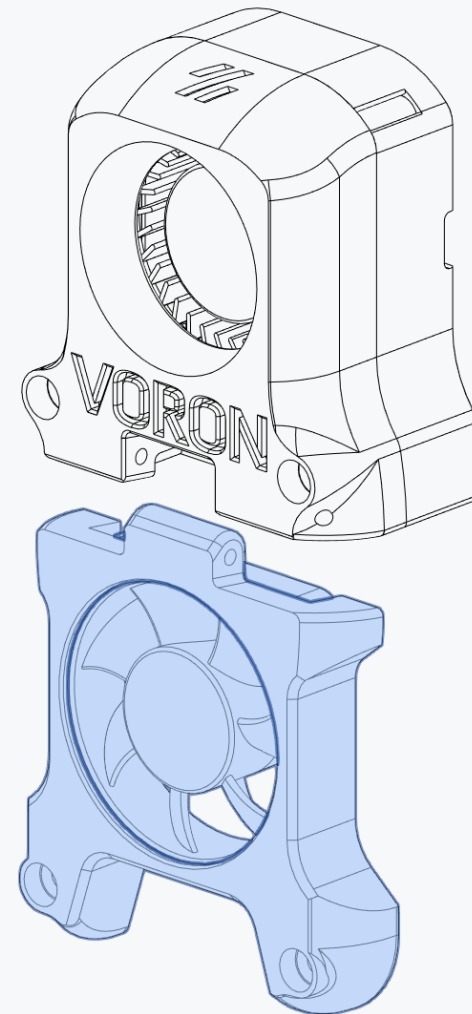
FAN ASSEMBLY

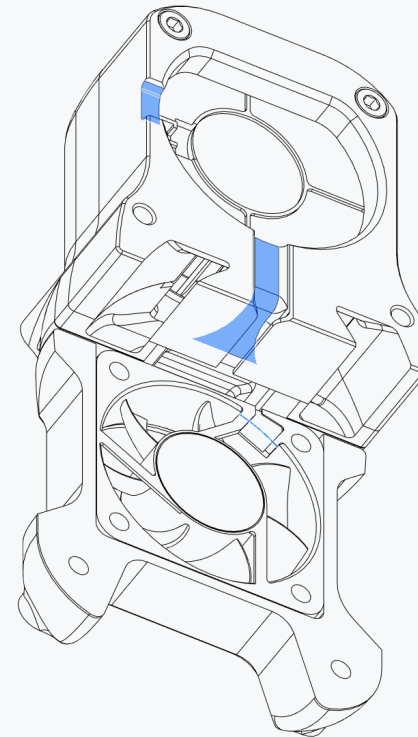
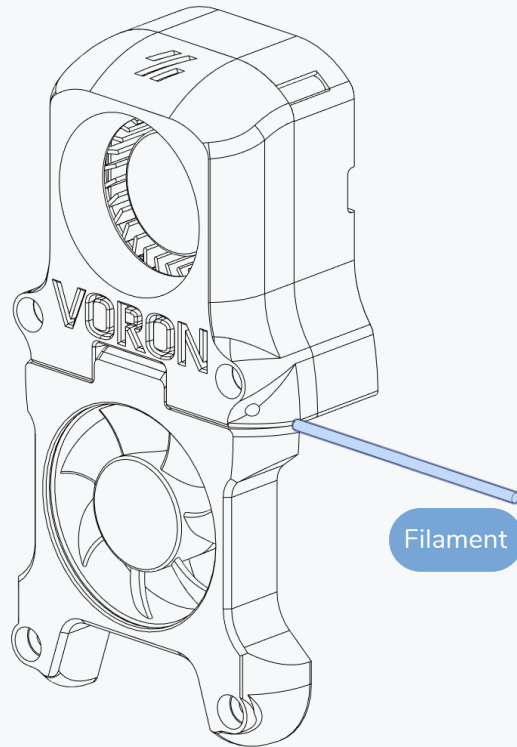
WWW.VORONDESIGN.COM



DON'T OVER TIGHTEN

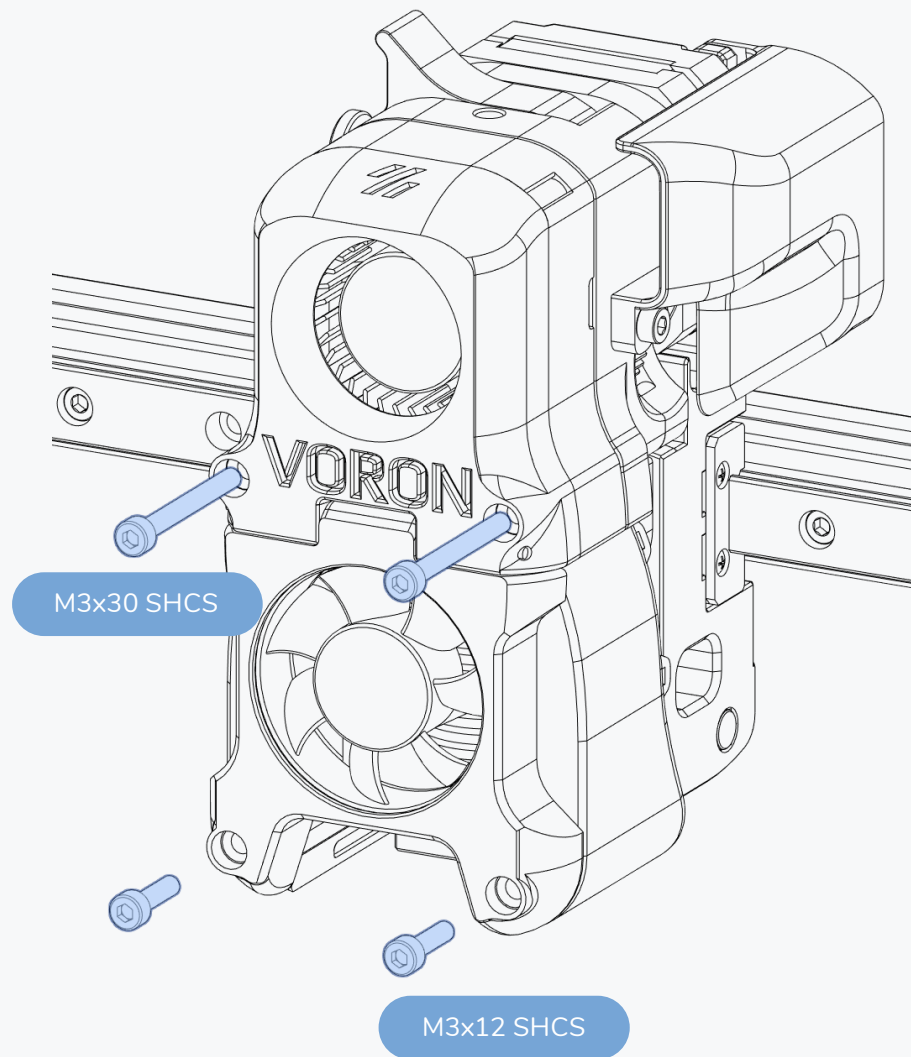
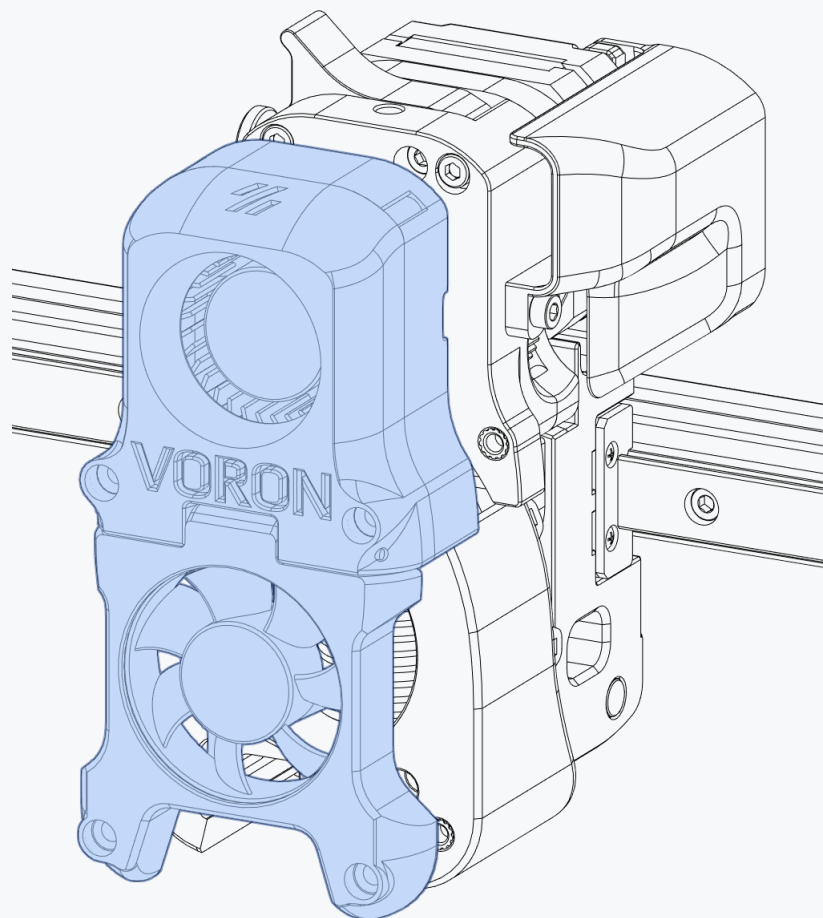
The bolts are threaded directly into plastic.





WIRING PATH

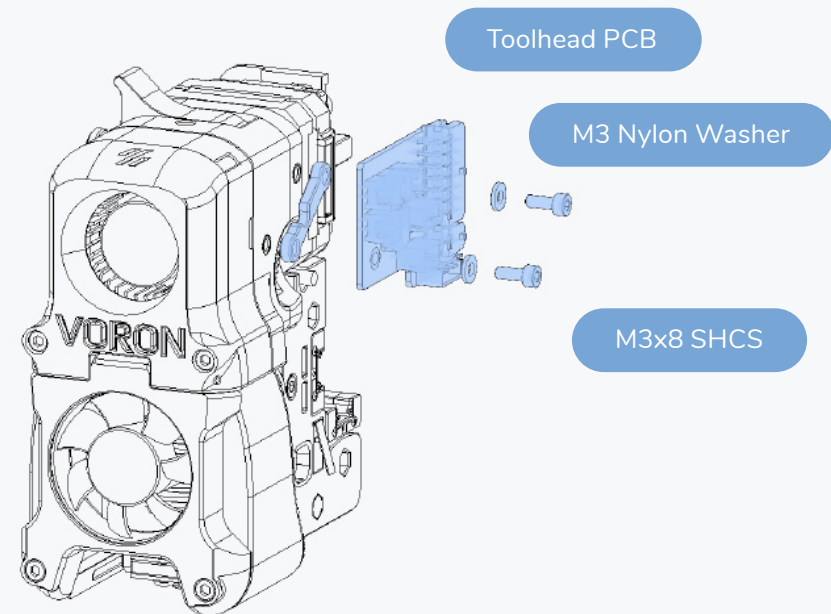
Guide the wires in the highlighted path.



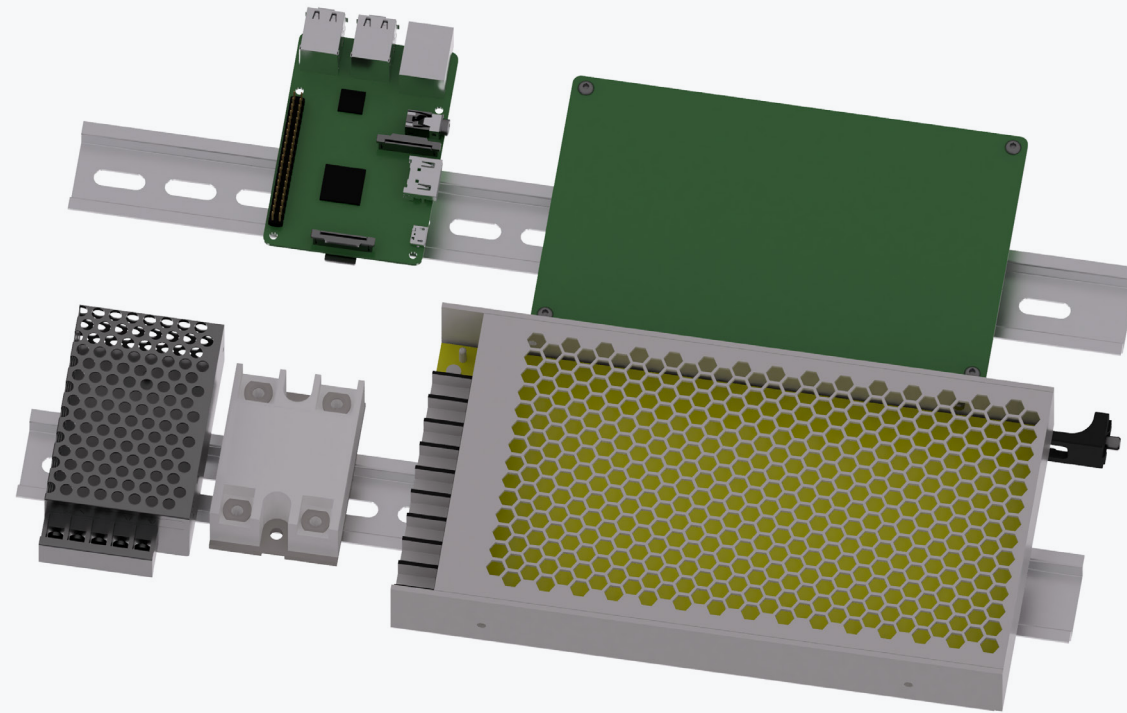
OPTION: TOOLHEAD PCB

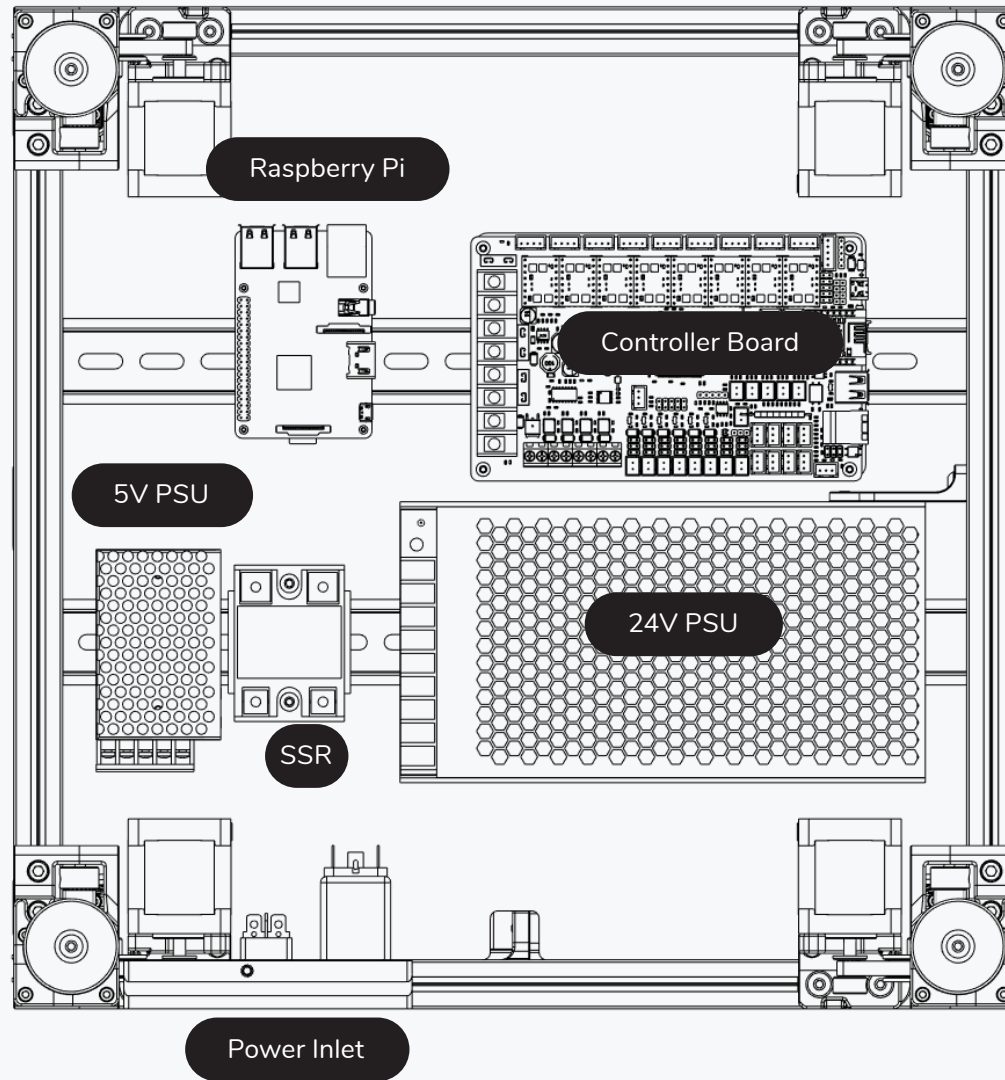
If you opted to use a toolhead PCB, install it instead of the cable cover.

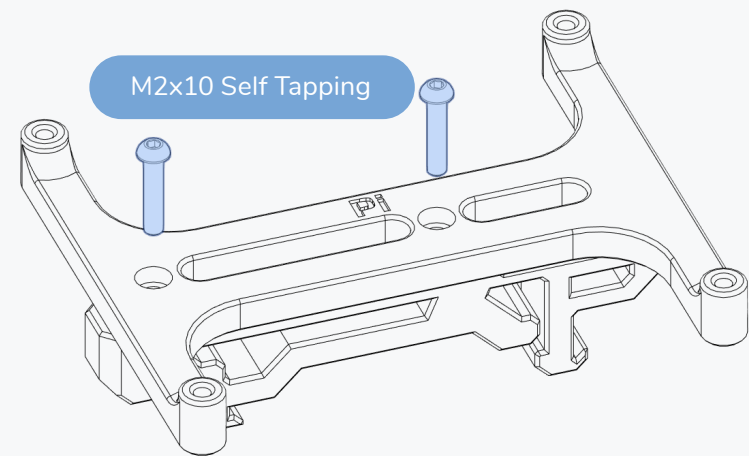
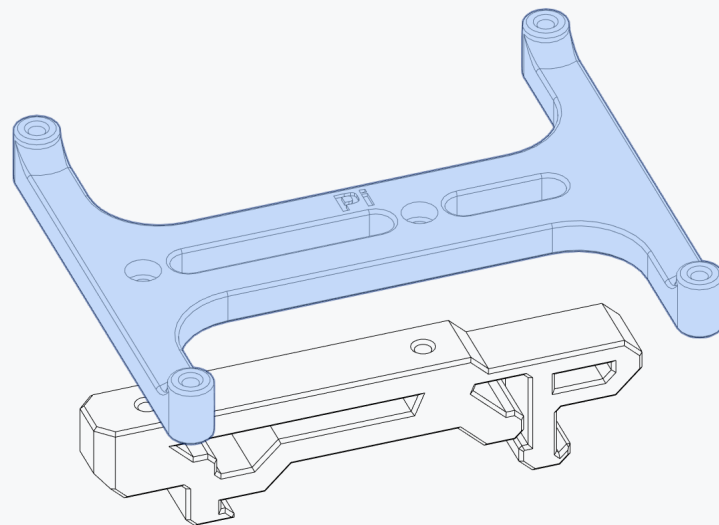
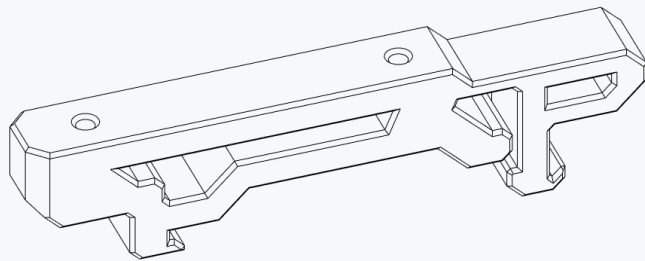
While not strictly required the use of plastic (e.g. nylon) washers is recommended.

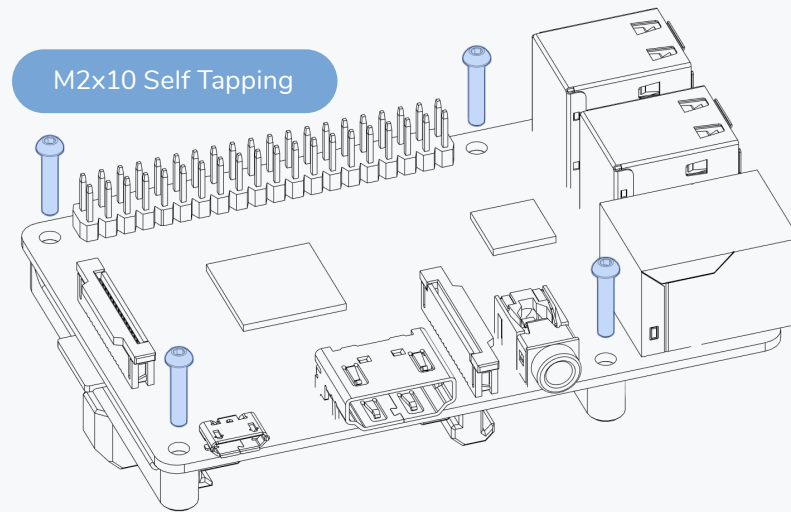
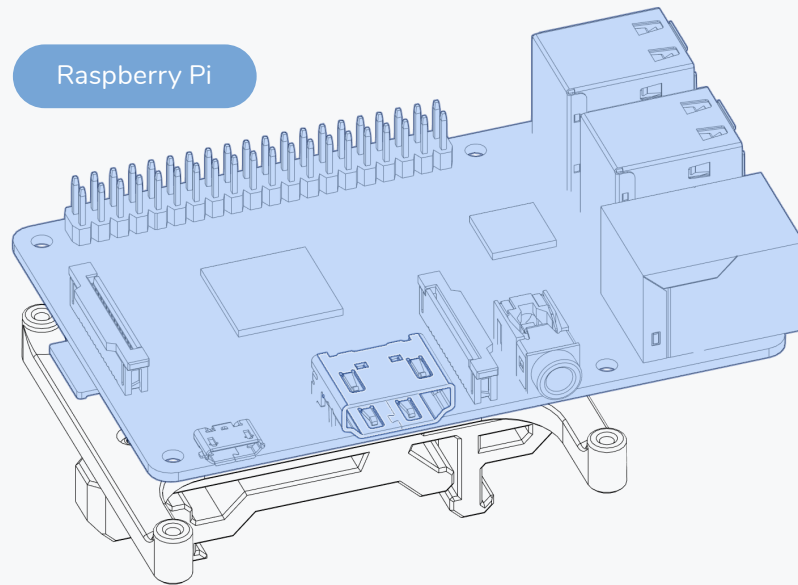


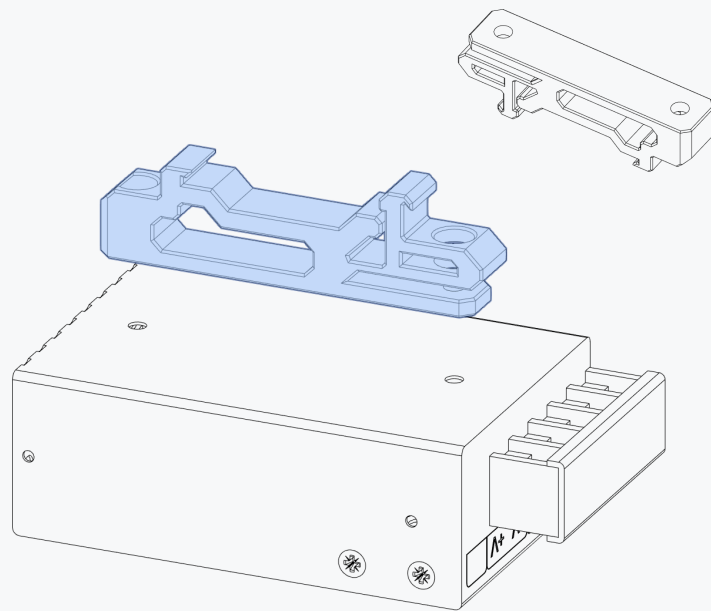
Voron2.1 was released on November 5 2018.



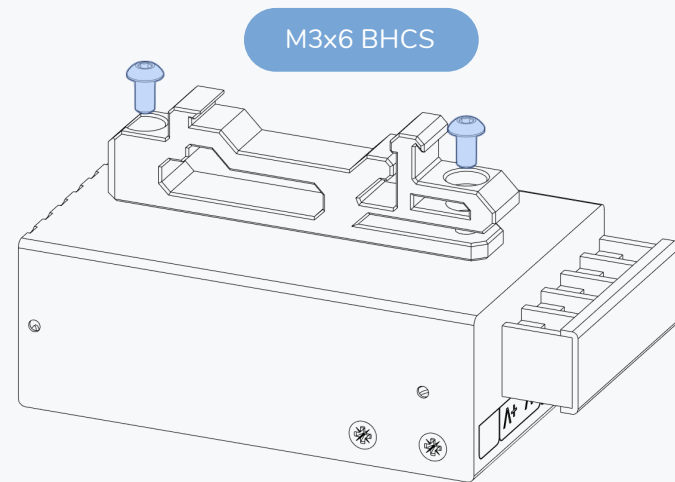




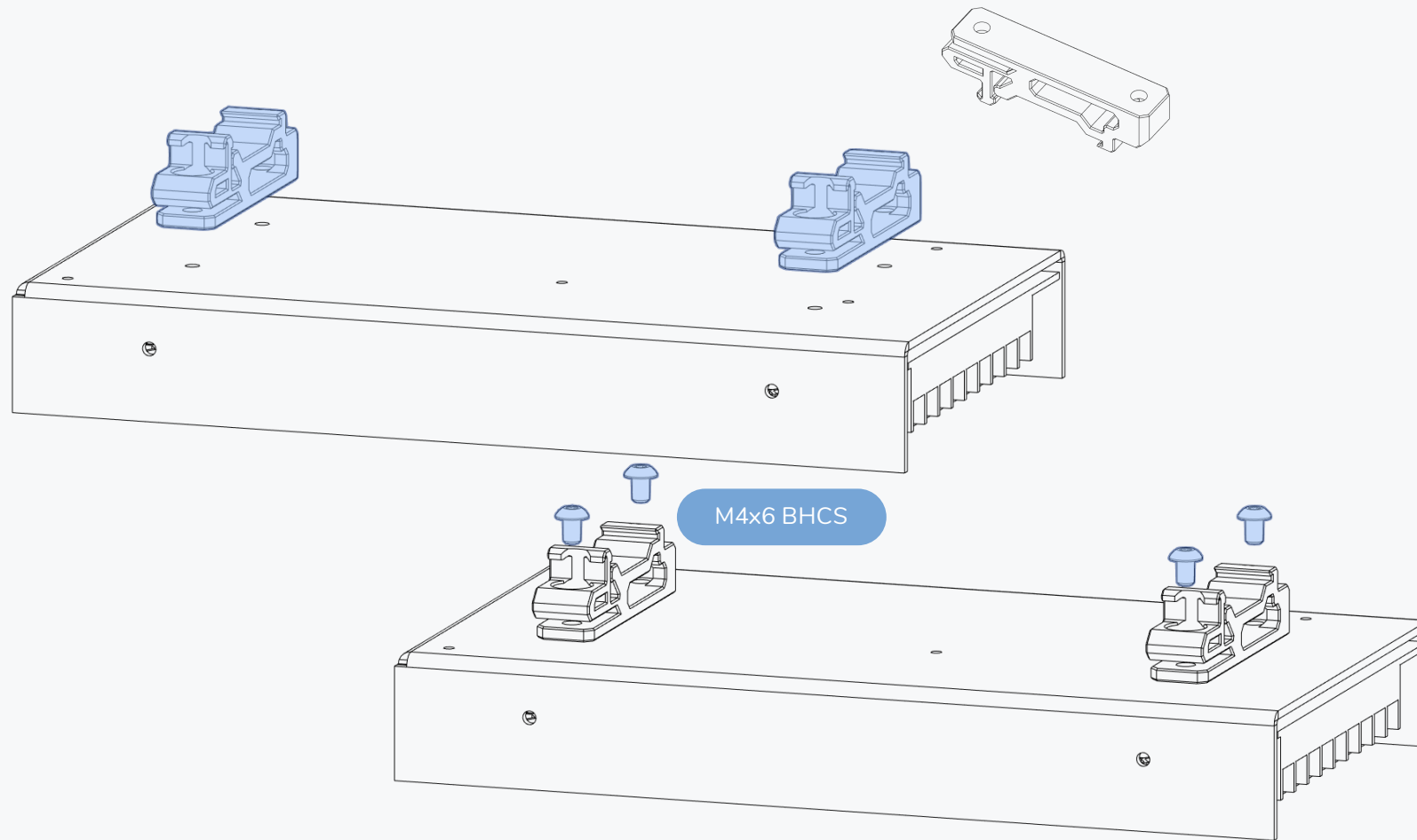


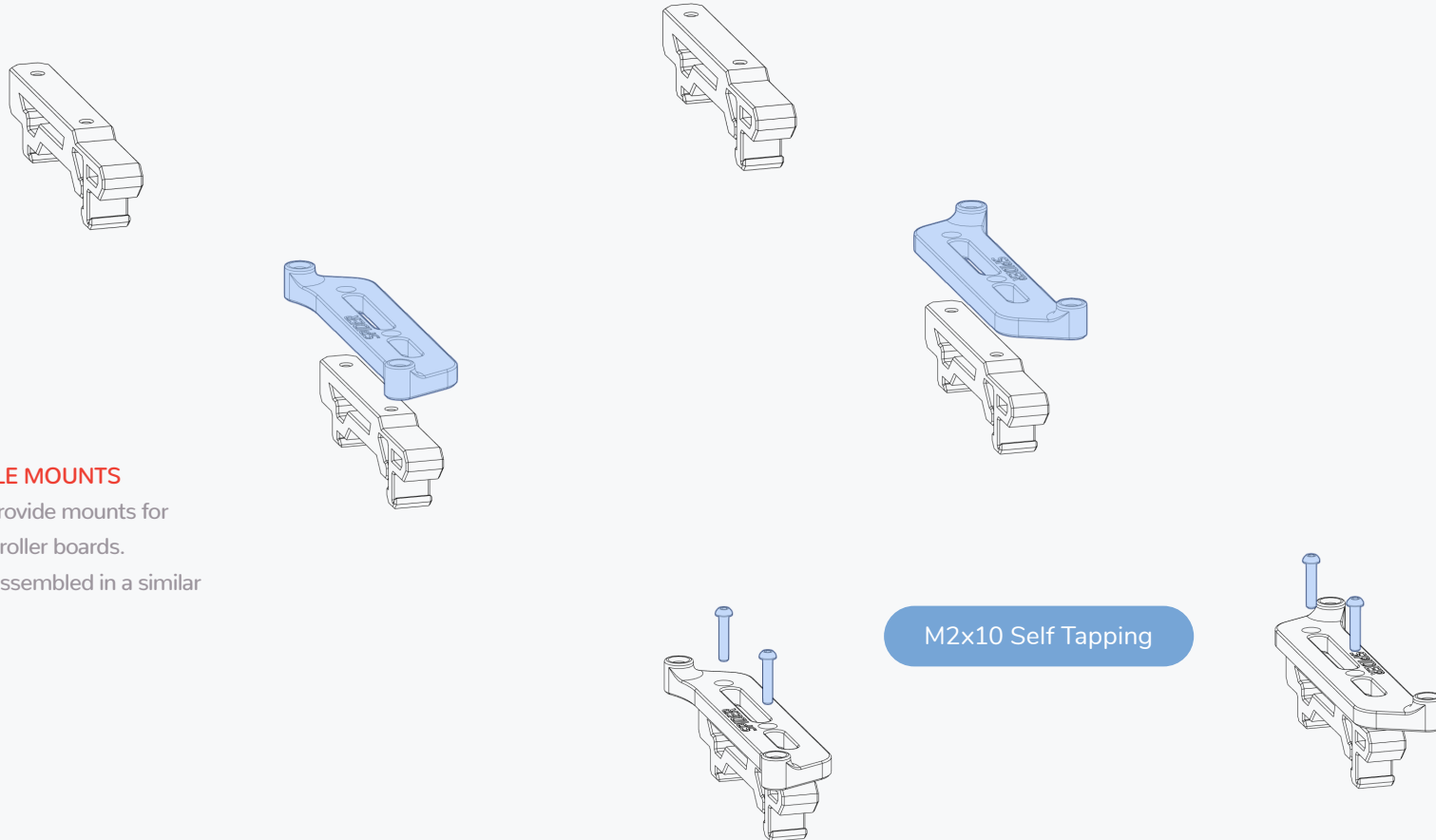


RS25-5 PSU



M3x6 BHCS

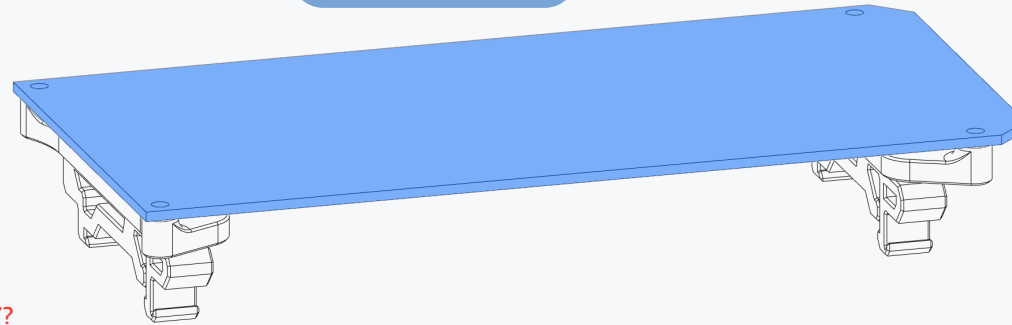




AVAILABLE MOUNTS

We also provide mounts for other controller boards. They are assembled in a similar manner.

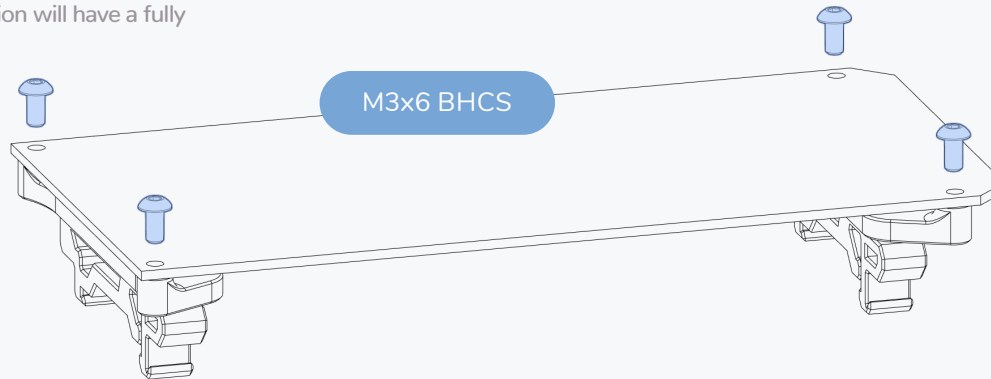
Controller Board



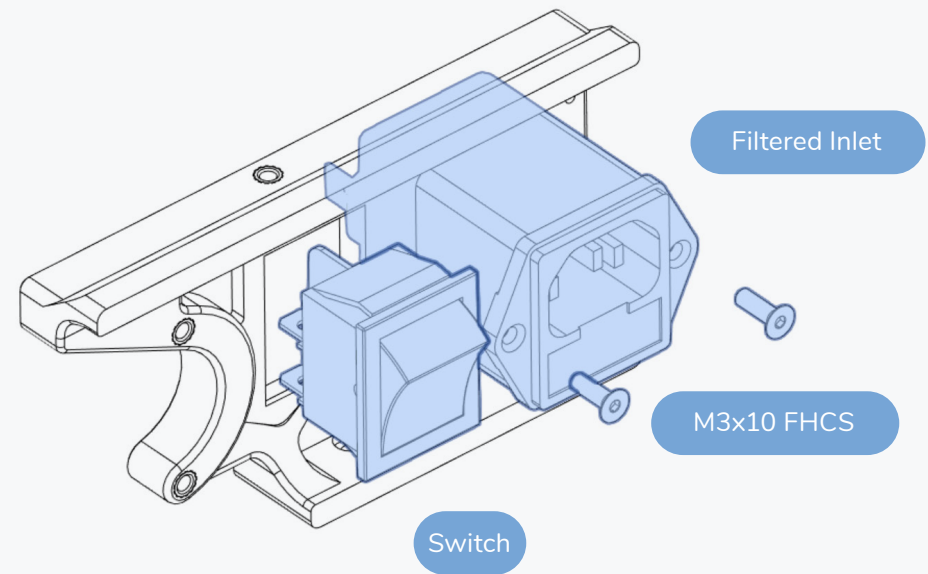
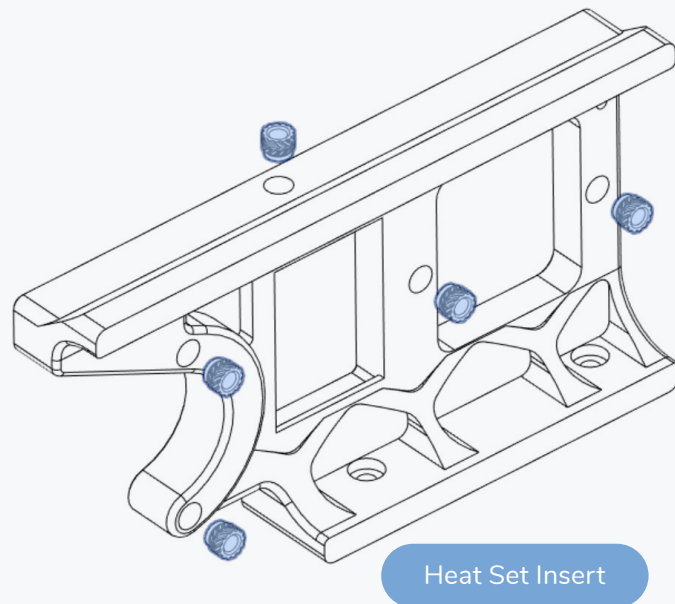
WHY DOES IT LOOK THAT WAY?

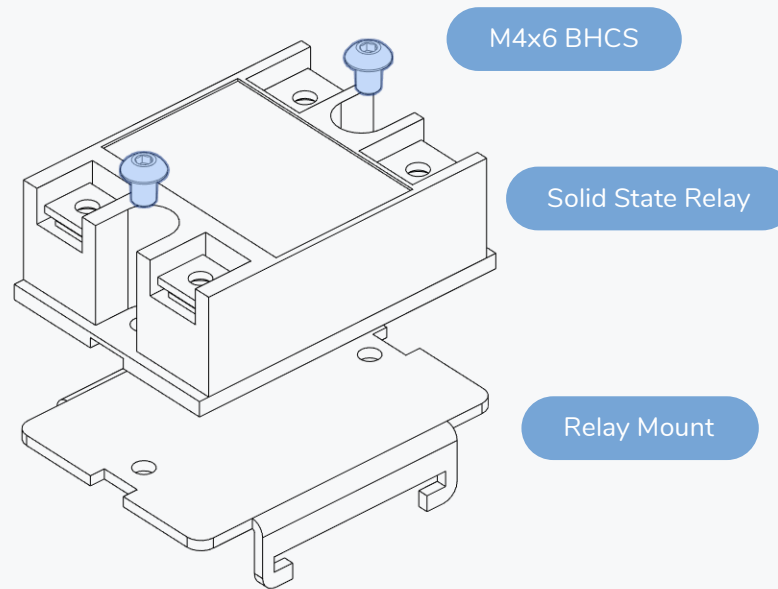
We used a dummy to keep the file size of the printers CAD manageable. The wiring section will have a fully featured image.

M3x6 BHCS



POWER INLET



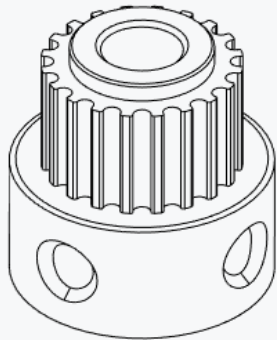


WHERE CAN I FIND THE RELAY MOUNT?

The SSR mount is an off the shelf part. Look for a metal bracket in your pile of parts.

There is no printed mount.

GT2 20 Tooth Pulley



REMOVE FLANGE & SET SCREWS

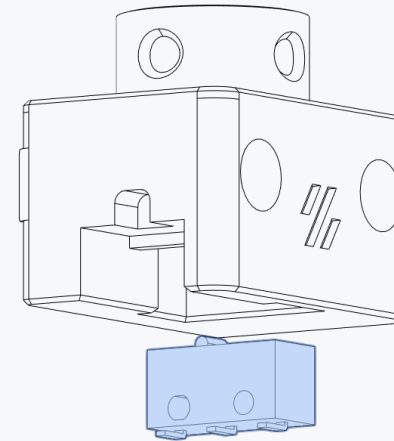
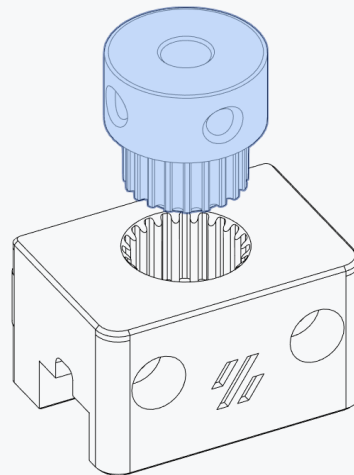
Use a bottle opener or some pliers to remove the top flange.



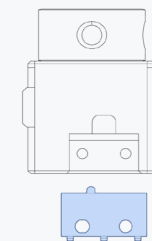
<https://voron.link/ict0j6x>

PRESS FIT

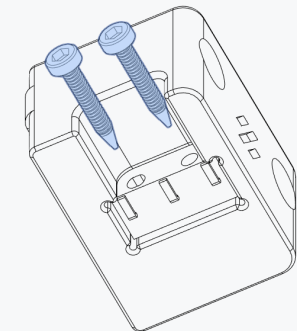
Apply the required force to fully seat the pulley in the printed part.



Microswitch



M2x10 Self Tapping

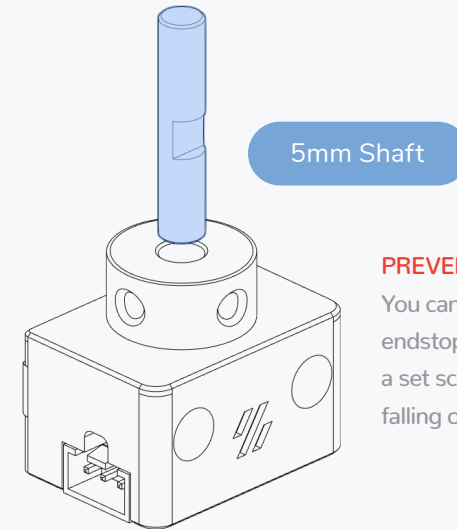
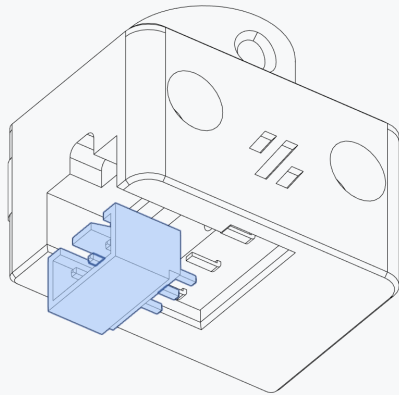


SWITCH W/OUT LEVER

This part requires a switch without lever to be installed in the shown orientation. You can remove the lever from microswitches by gently pressing on the lever's hinge point.

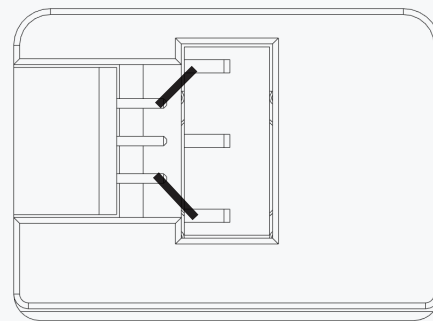
Z ENDSTOP

WWW.VORONDESIGN.COM



PREVENTING MISHAPS

You can add a notch to the Z endstop point and capture it with a set screw to prevent it from falling out.



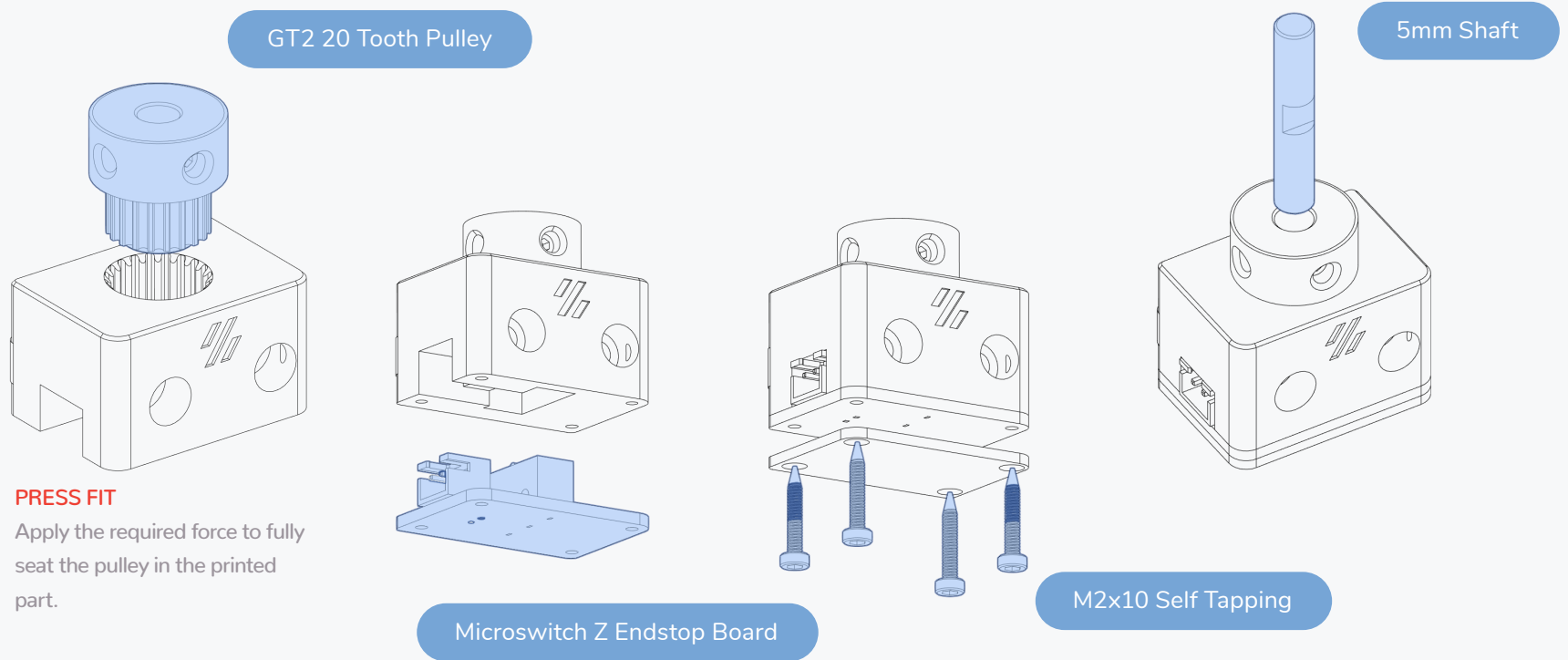
SOLDER CONNECTOR

Solder a connection from the outer two terminals of the microswitch to the connector.

ALTERNATE Z ENDSTOP

WWW.VORONDESIGN.COM

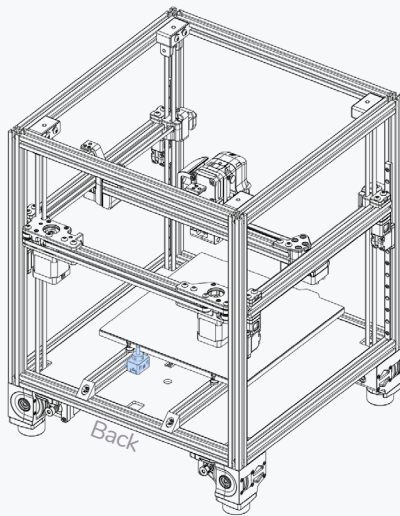
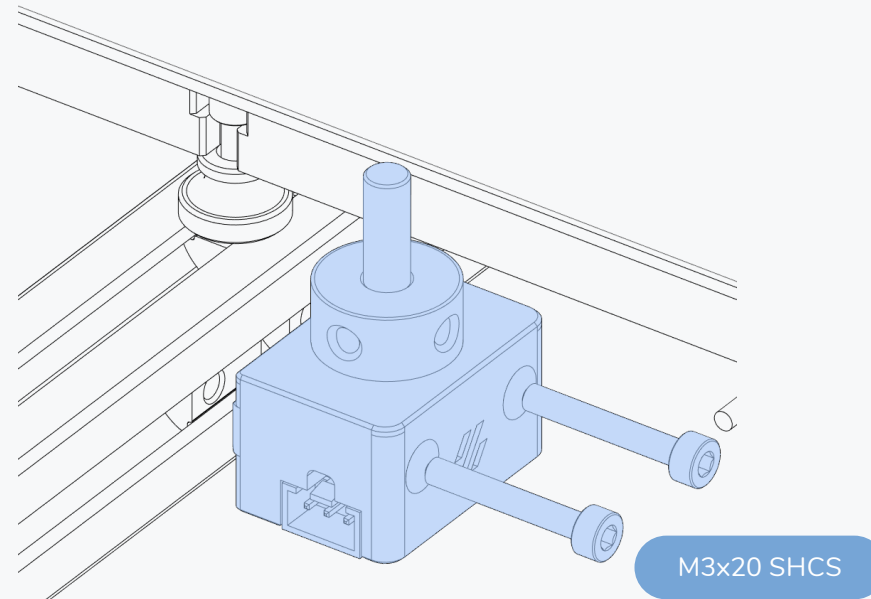
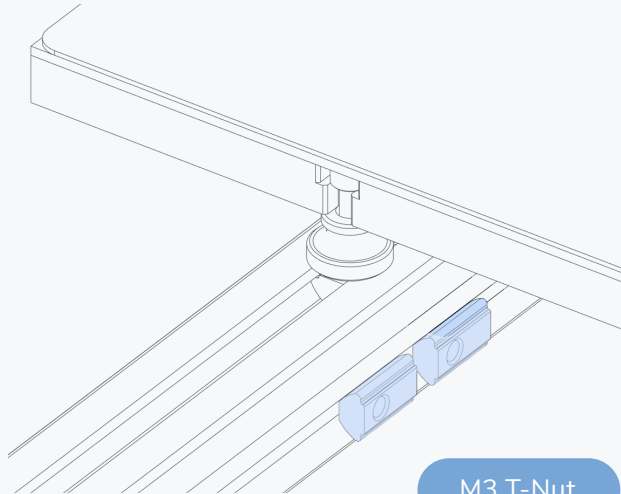
OPTION: Z ENDSTOP BOARD



ADDITIONAL INFORMATION

Visit voron.link/3bwvngy for design files and BOM.

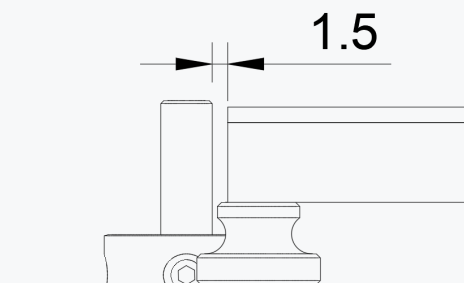
Z ENDSTOP



ADJUST Z ENDSTOP POSITION

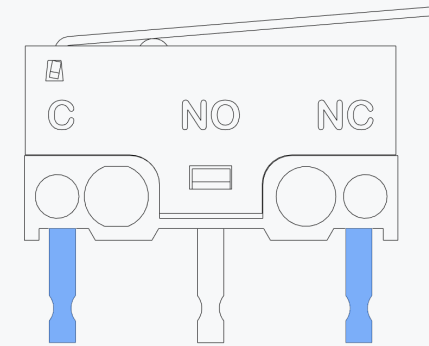
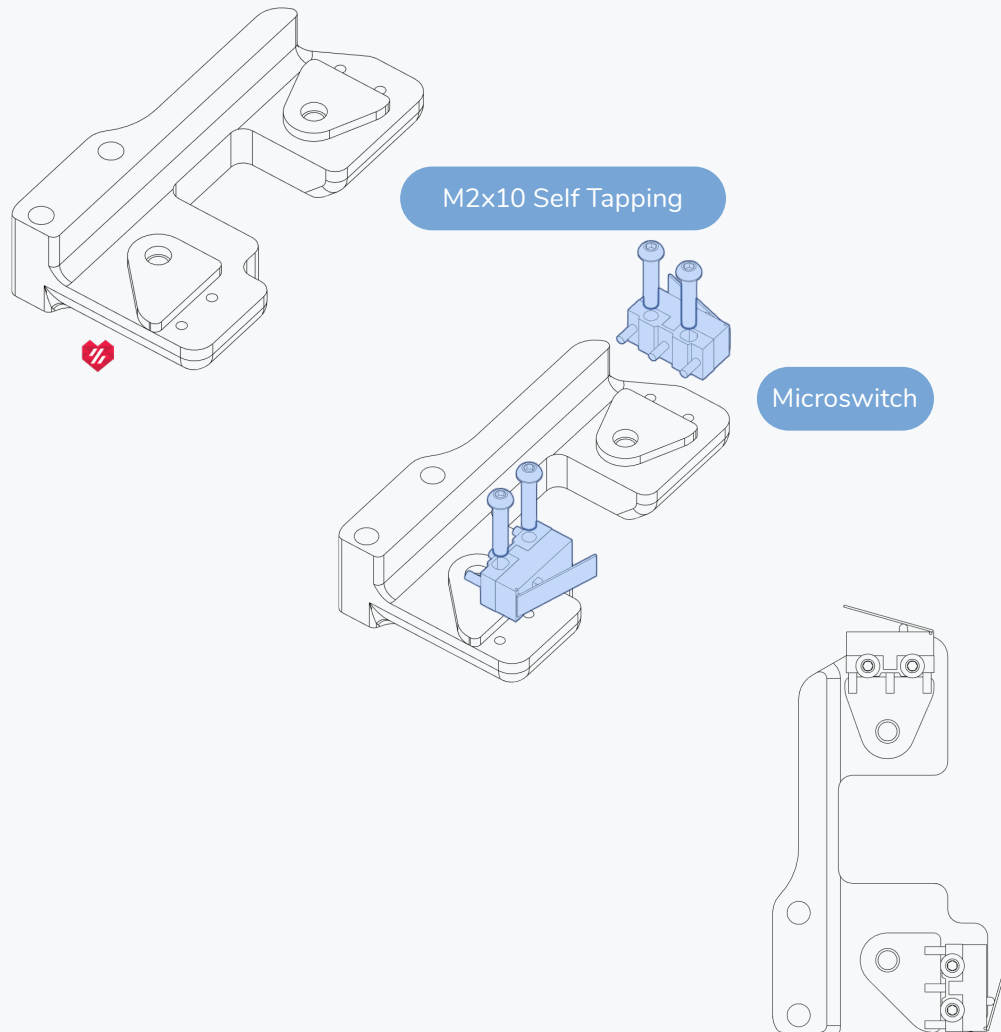
The shaft of the Z Endstop must not touch the print bed.

Adjust the position if required.



X/Y ENDSTOP

WWW.VORONDESIGN.COM



END-STOP SWITCHES FOR X AND Y

End-stops are wired in a "Normally Closed" configuration.

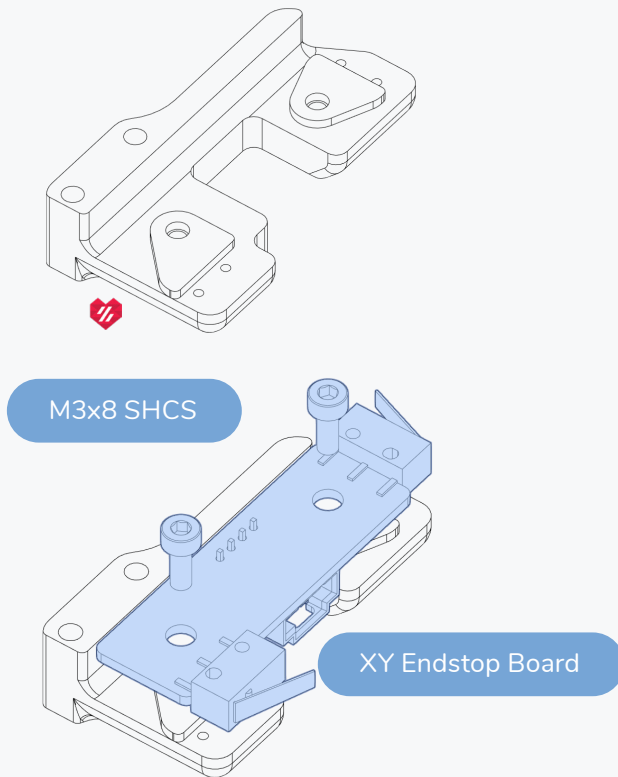
On microswitches those are the 2 outer terminals indicated by C and NC.

Prepare the switches for X and Y by soldering 150mm of wire to each of the outer terminals.

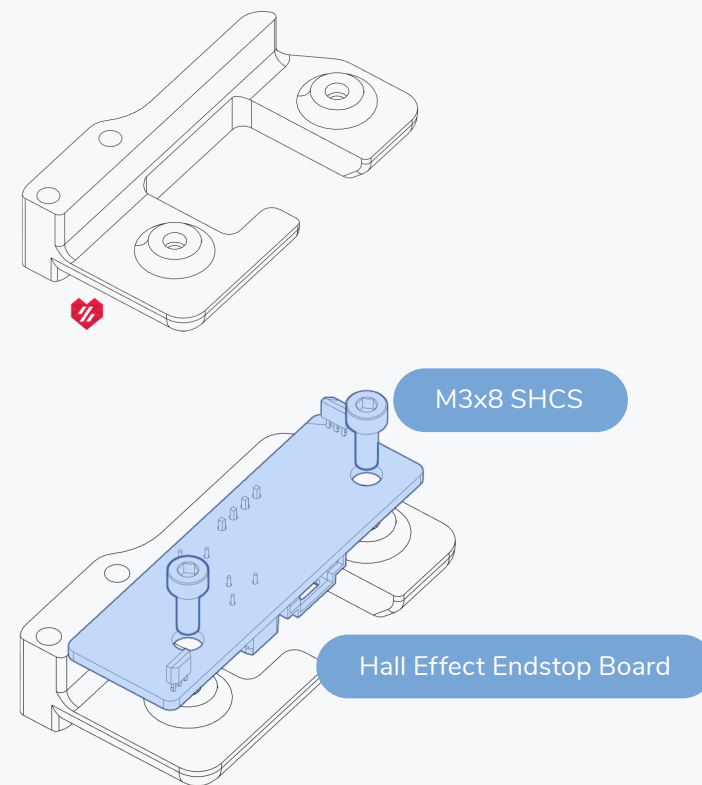
ALTERNATE X/Y ENDSTOPS

WWW.VORONDESIGN.COM

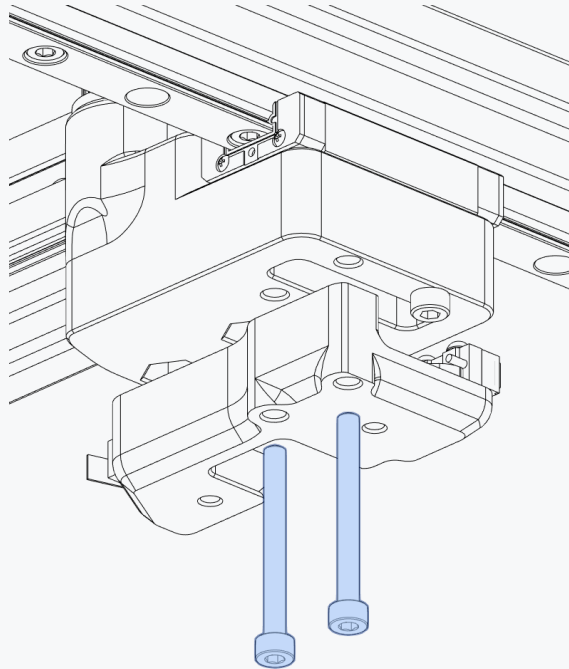
OPTION: XY ENDSTOP BOARD



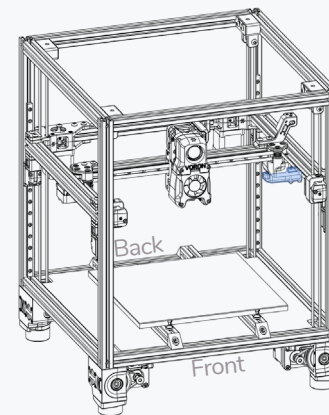
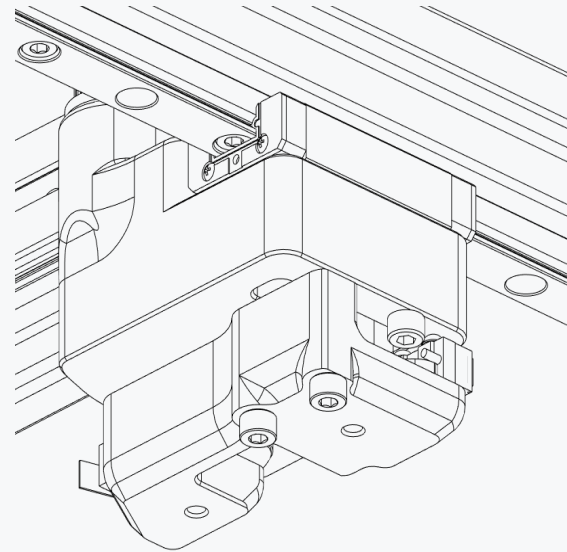
OPTION: HALL EFFECT ENDSTOP BOARD



X/Y ENDSTOP



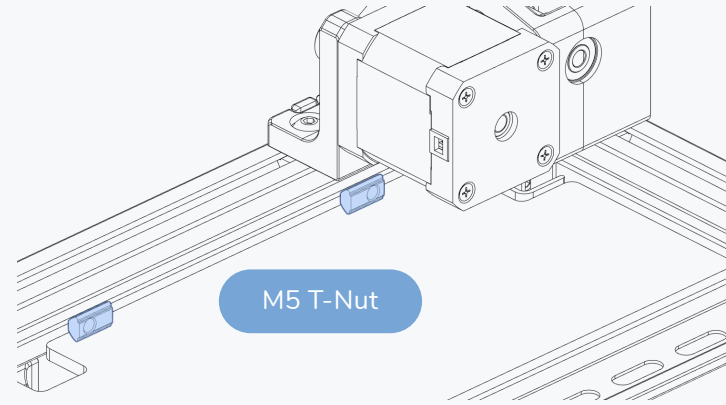
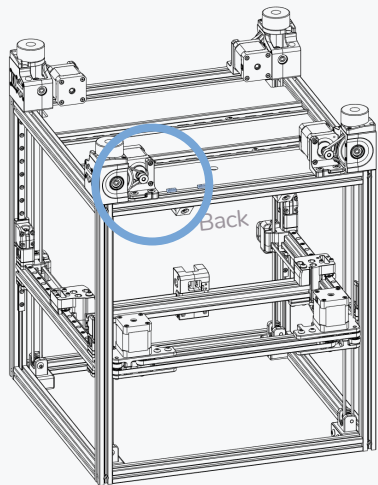
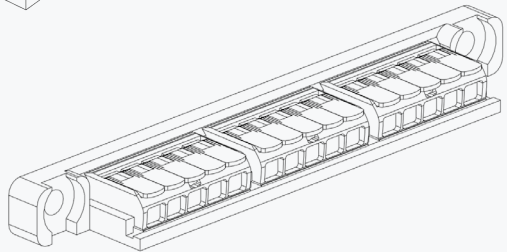
M3x30 SHCS



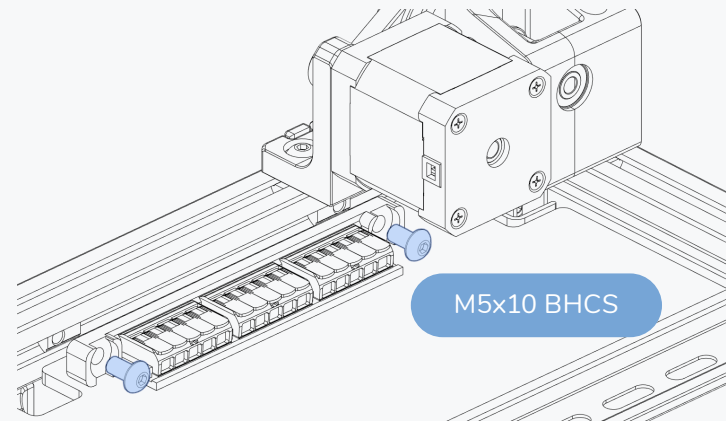
ALTERNATE MAINS DISTRIBUTION - WAGO



WAGO 221 415 Clamps



M5 T-Nut



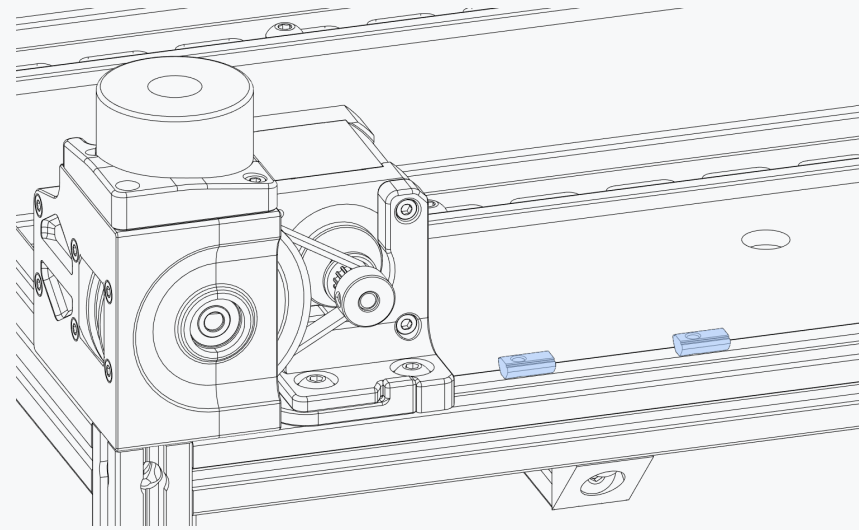
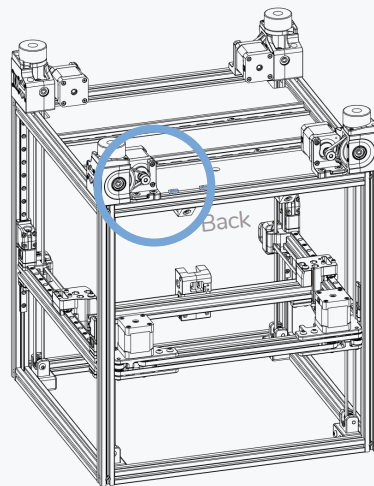
M5x10 BHCS

POWER INLET

WWW.VORONDESIGN.COM

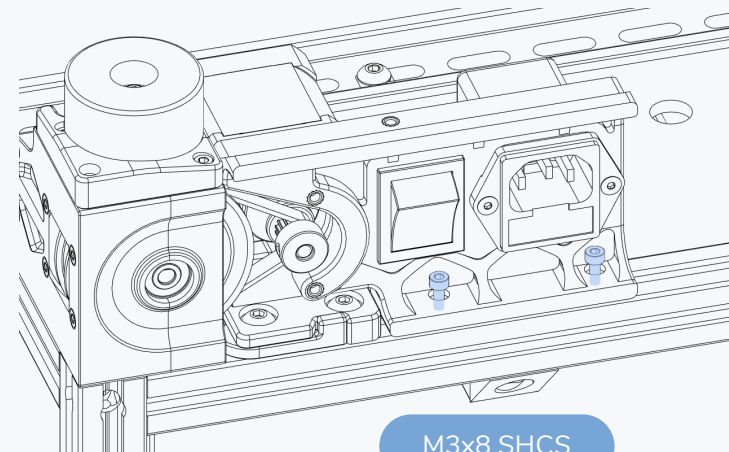
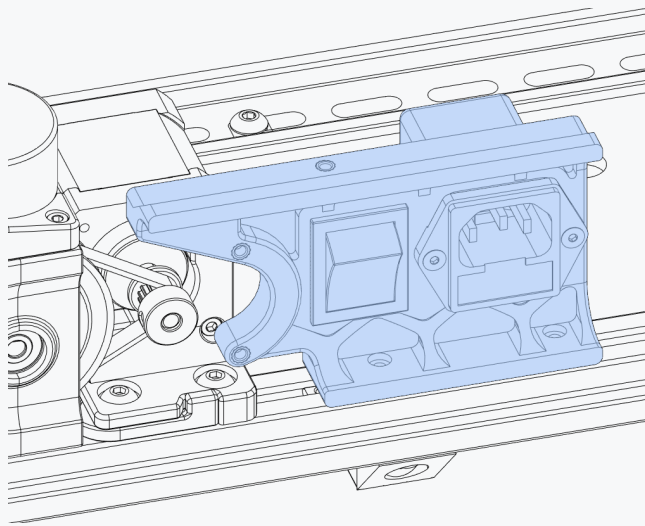
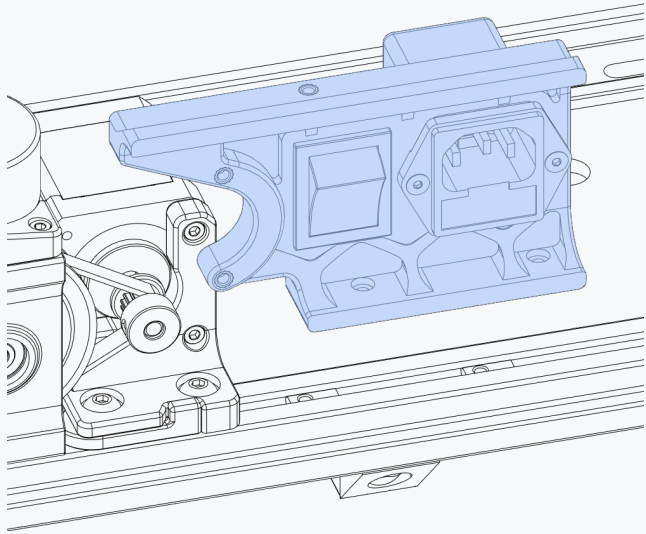
UPSIDE DOWN ASSEMBLY

For ease of assembly we recommend to flip the printer on its head for the next steps. Hope you don't regret building a 350.

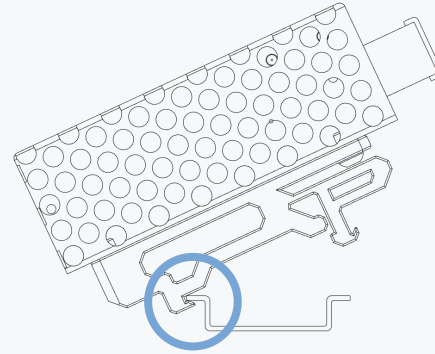
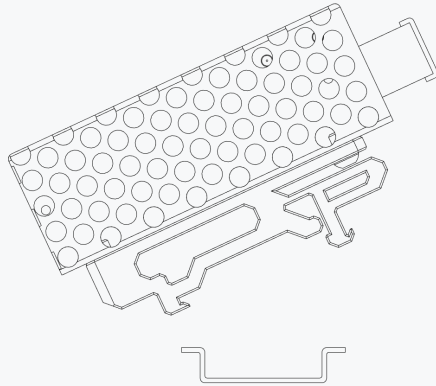


M3 T-Nut

POWER INLET

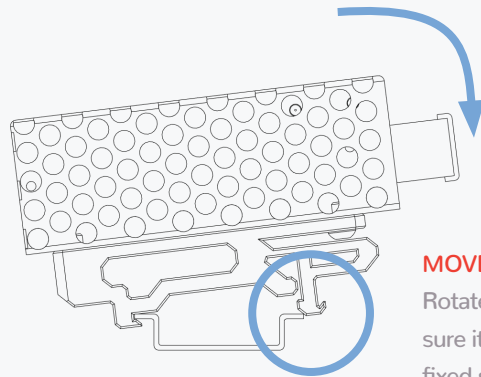


M3x8 SHCS



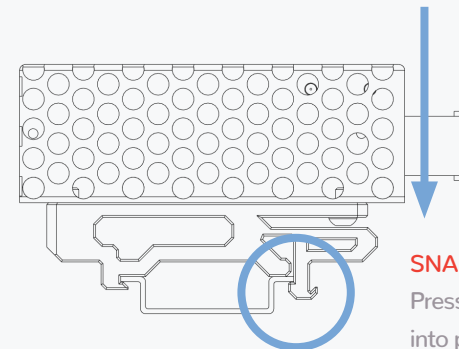
HOOK FIXED SIDE

Hook the fixed side of the printed mount on side of DIN rail.



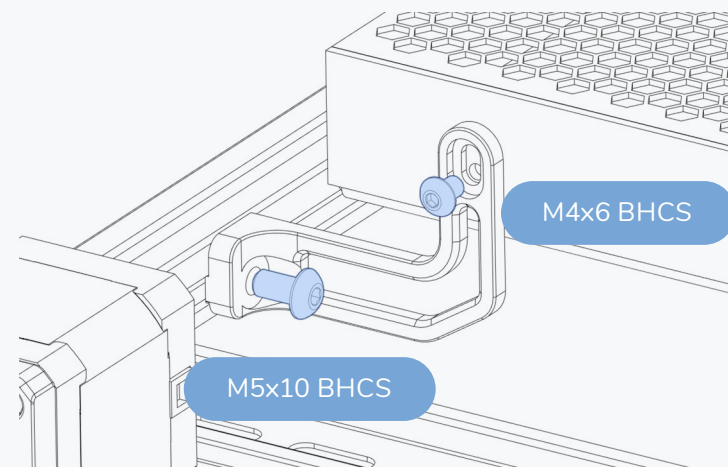
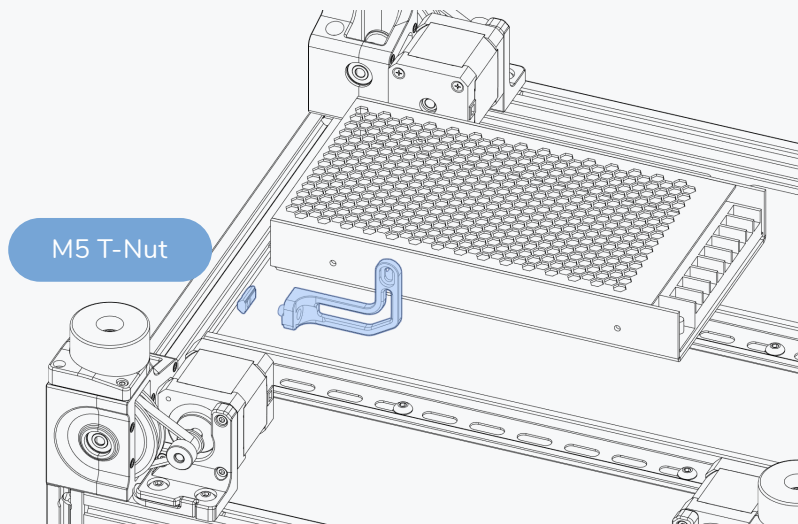
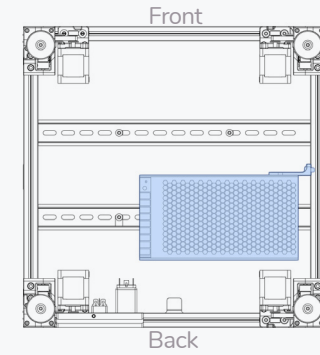
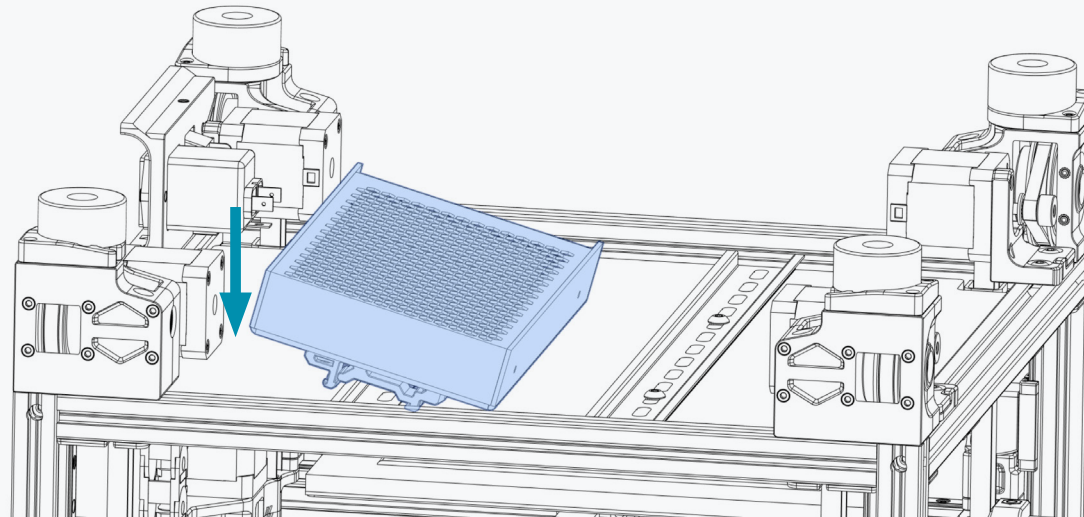
MOVE INTO POSITION

Rotate the part into place, make sure it does not unhook from the fixed side.



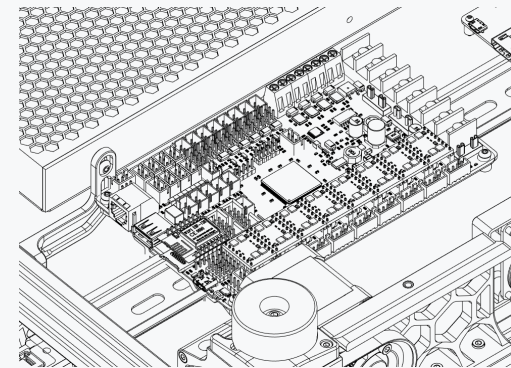
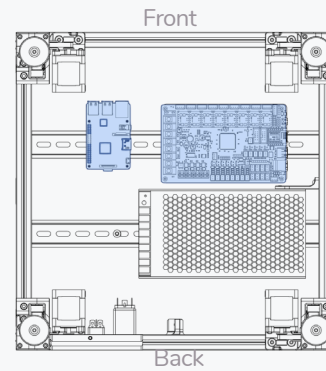
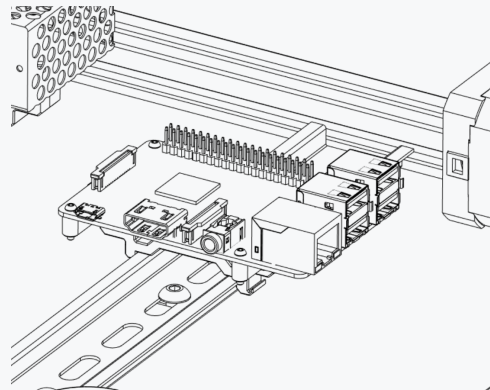
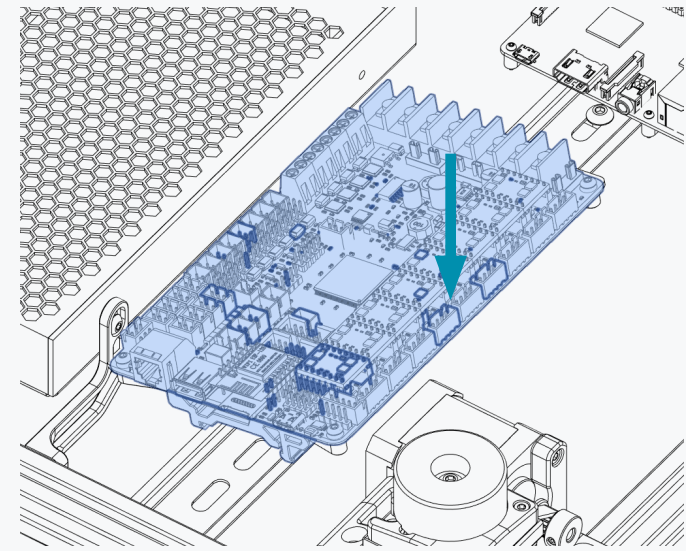
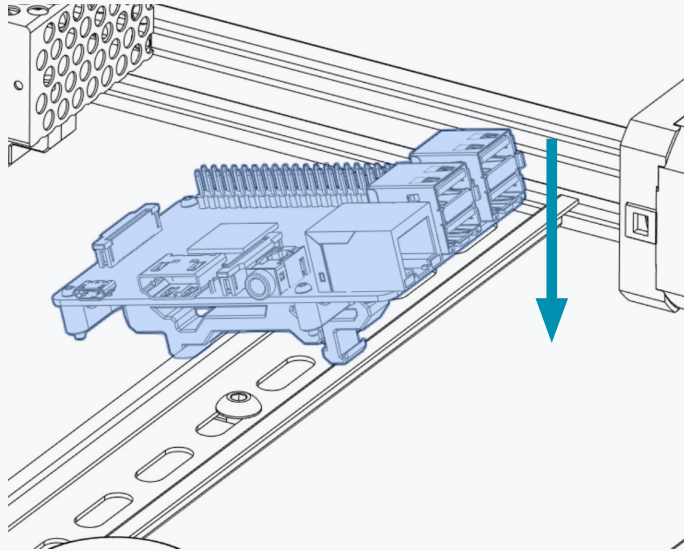
SNAP INTO PLACE

Press to snap the free side into place. The part should now sit securely on the DIN rail.



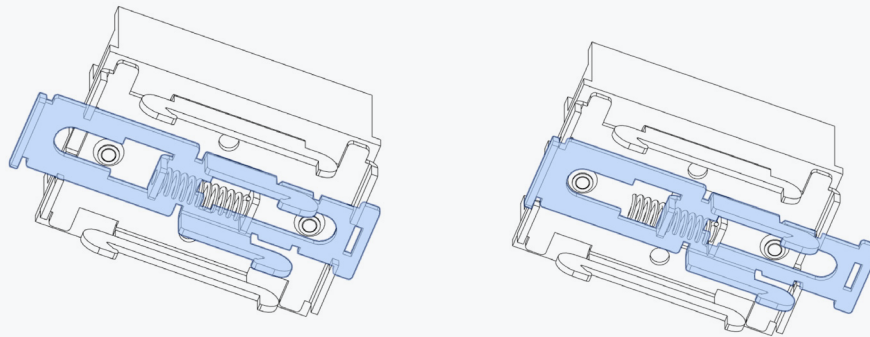
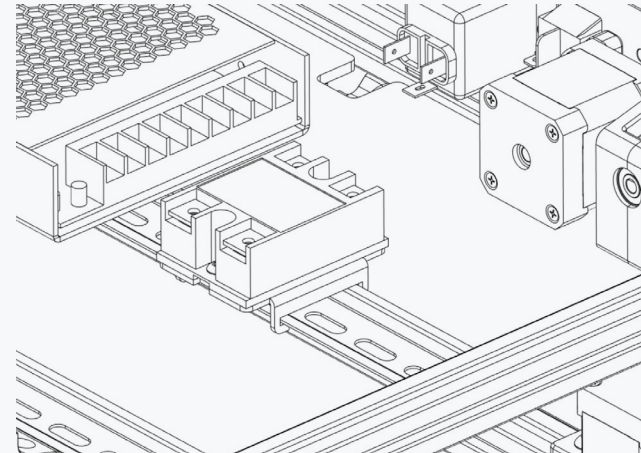
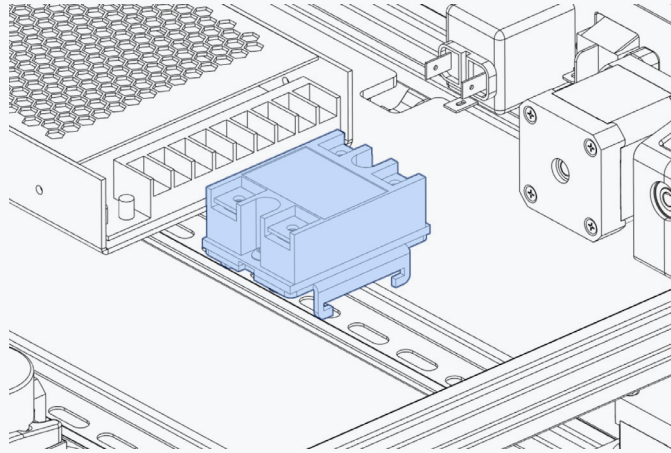
PI & CONTROLLER

WWW.VORONDESIGN.COM



SOLID STATE RELAY

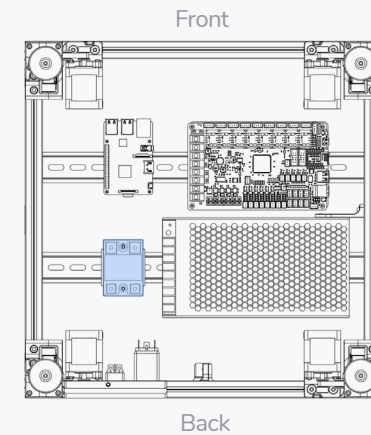
WWW.VORONDESIGN.COM

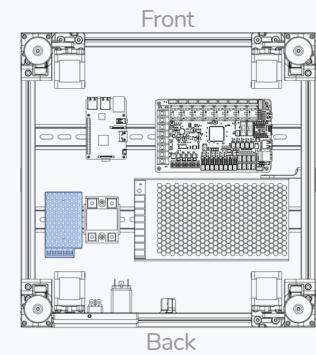
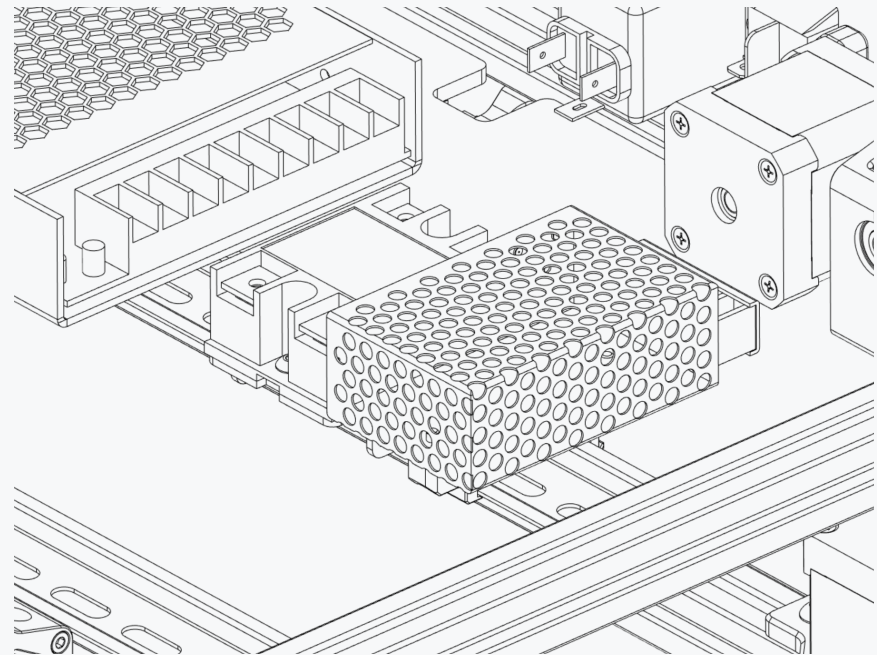
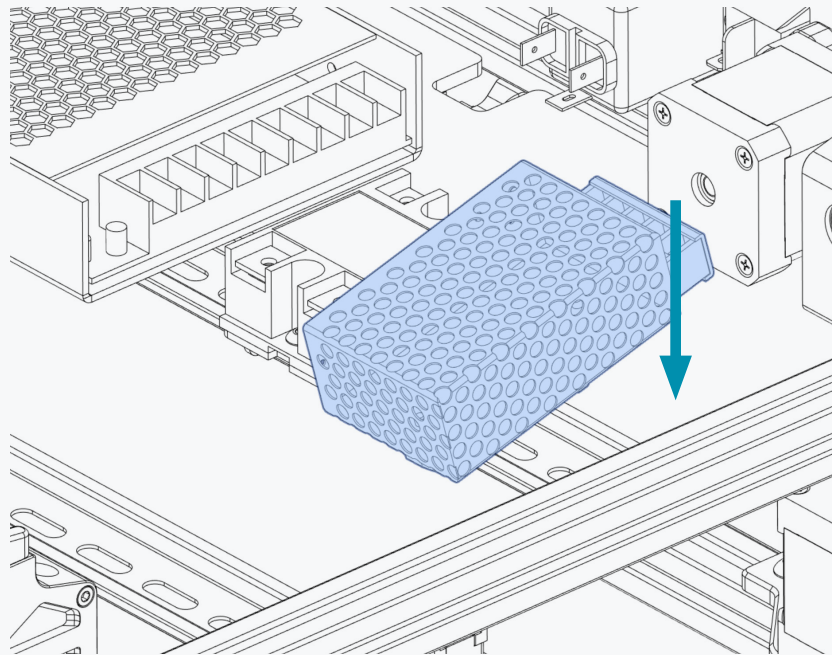


SPRING-LOADED

Use a flat head screw driver to pull the latch open. It will lock open.

Be careful when releasing the latch, it will snap back into place. Mind your fingers.

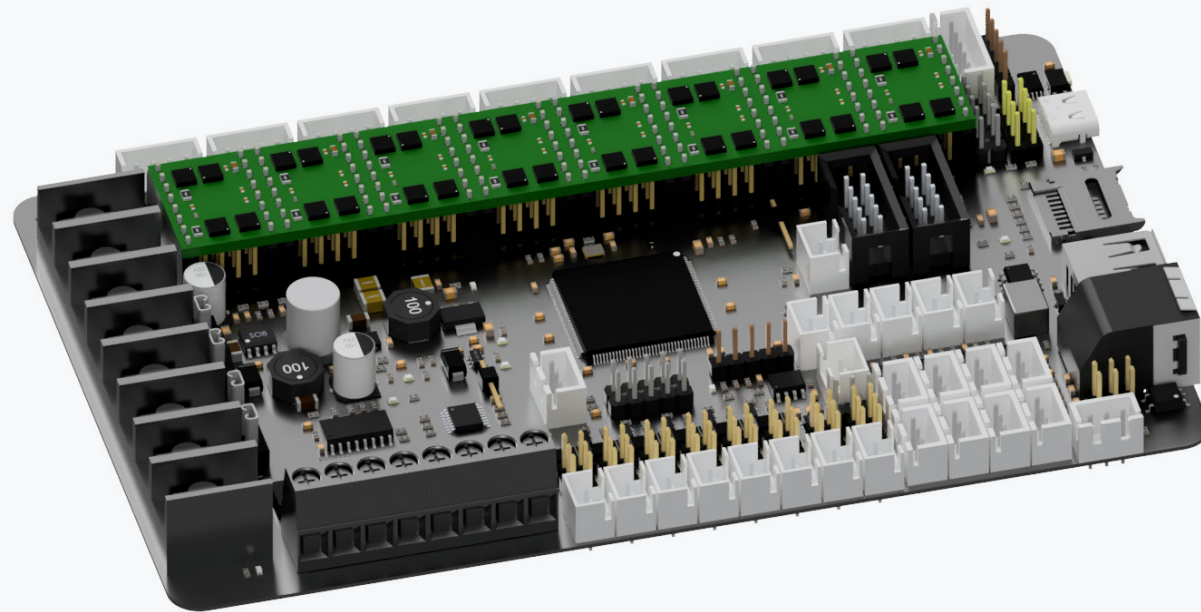




By February 2019 over 100 Voron2 printers had been built and serialized.

CONTROLLER BOARD

WWW.VORONDESIGN.COM



CONTROLLER BOARD

CONTROLLER BOARD

The assembly manual will outline the wiring for a Bigtreetech Octopus V1.1 board. You can find additional documentation and alternative configurations on docs.vorondesign.com

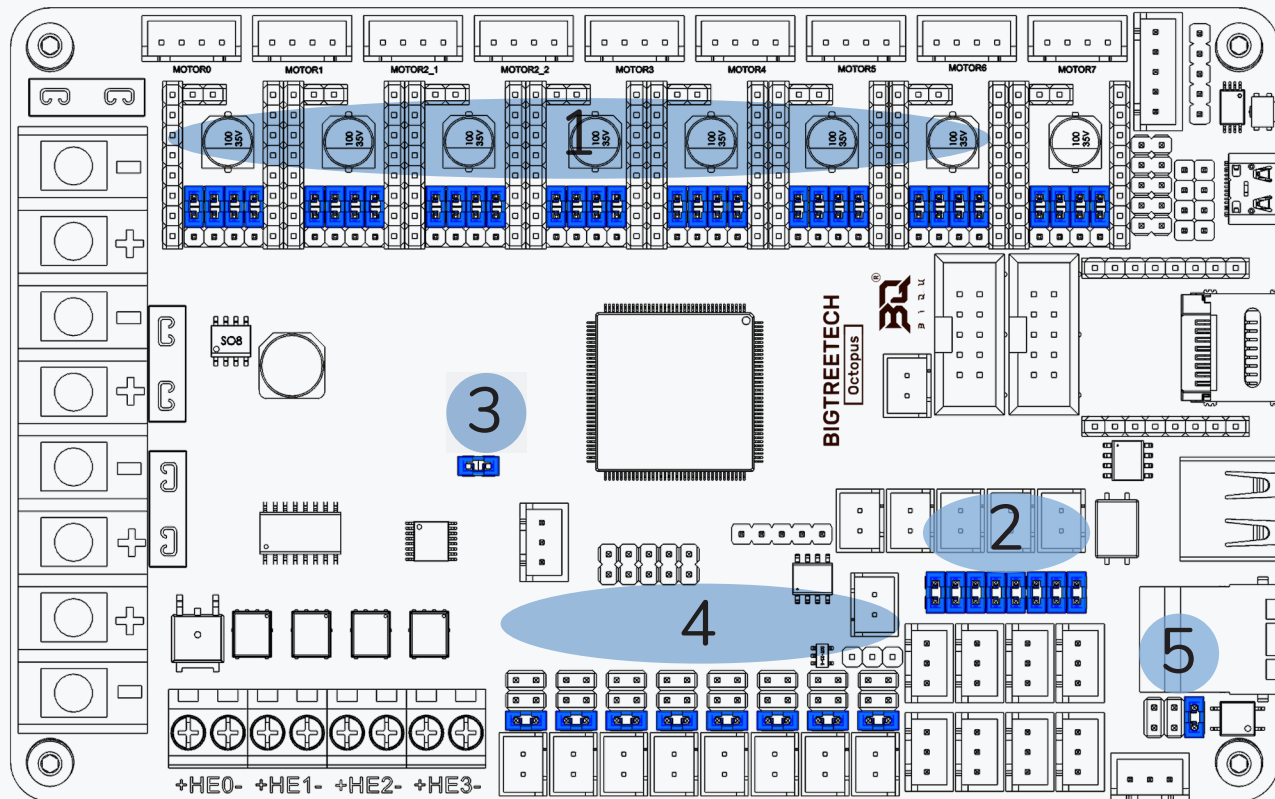
JUMPERS

Several jumpers need to be configured on the controller board. We will begin by **removing all the JUMPERS** from the controller board (MCU).

1) Remove the jumpers in the “driver sockets”.

2) Remove all the jumpers in the “DIAG” header when using microswitch or Hall Effect endstops.

3) Remove the “USB 5V power supply” jumper to avoid the interaction between the USB 5V of Raspberry Pi and the 5V of the MCU.



4) Remove all the jumpers on the “Fan Voltage Selection” headers so that you can set the correct supply voltage.

5) Remove the jumper in “Probe Voltage Selection” header so that you can set it to the correct supply voltage.

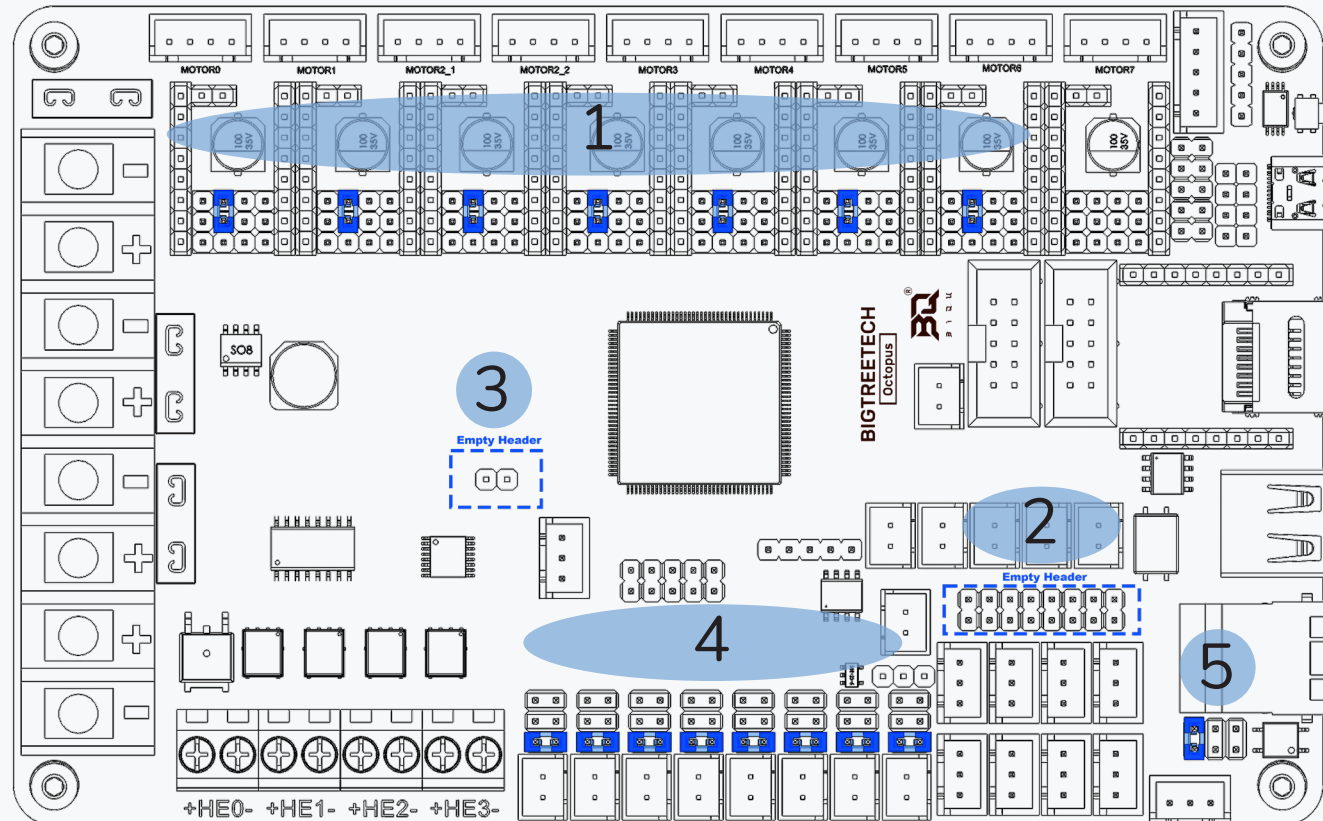
Diagram courtesy of @GadgetAngel

JUMPERS

Several jumpers need to be set on the MCU.

Add the following **JUMPERS** to the controller board (MCU).

- 1) Set the jumpers in the “driver sockets” as shown to set TMC2209 UART mode.
- 2) Ensure all the jumpers in the “DIAG” header are removed.
- 3) Ensure the Power Selection header is empty.
- 4) Set the Jumpers for the “Fan Voltage Selection” header so they match your fan’s voltage. Shown here are the settings for 24VDC.



- 5) Set the jumper in “Probe Voltage Selection” header to 24VDC.

Diagram courtesy of @GadgetAngel

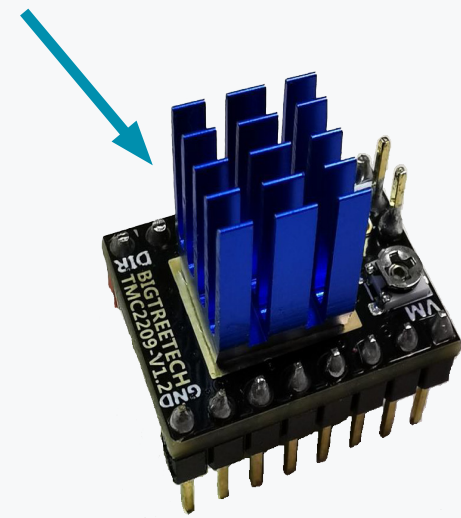
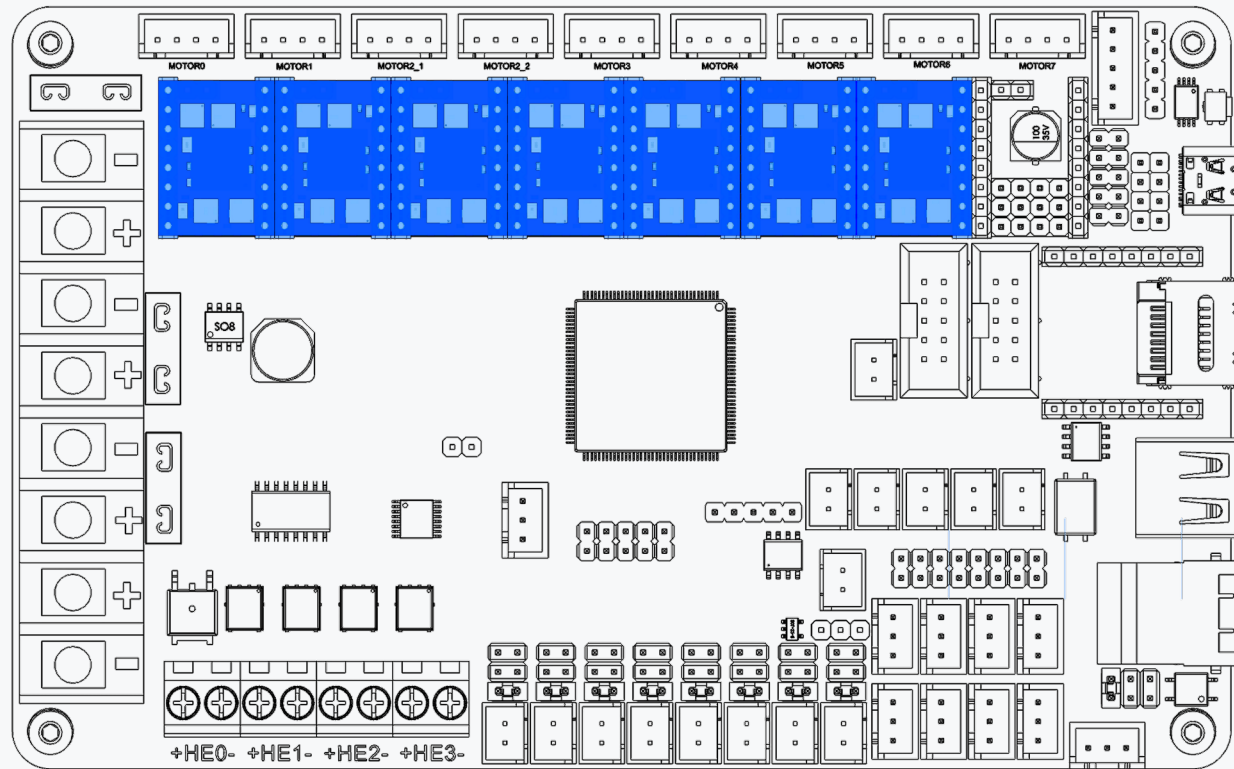


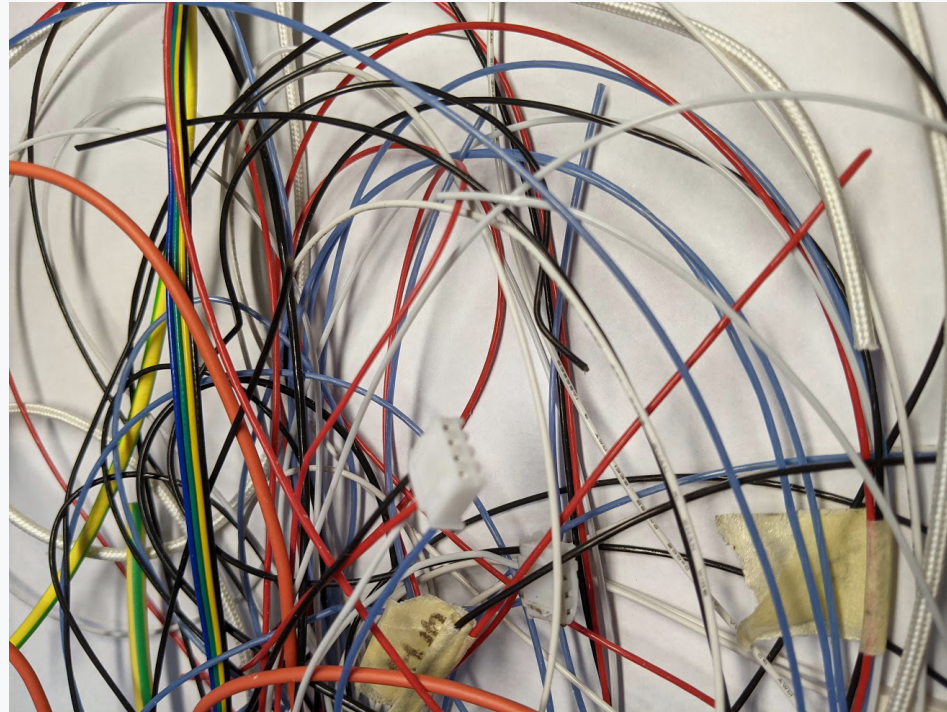
Diagram courtesy of @GadgetAngel

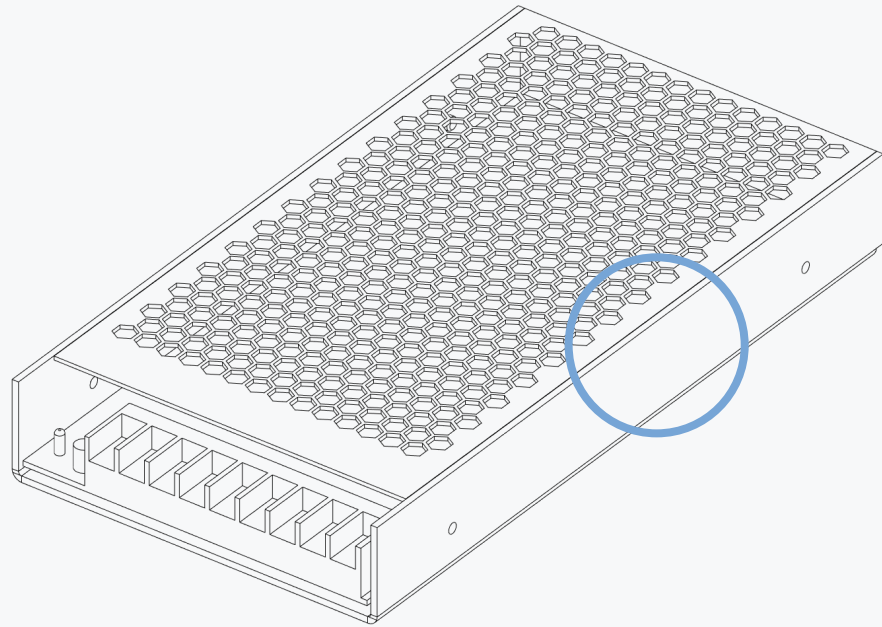
OCTOPUS PINOUT REFERENCE

This [Coloured PIN diagram](#) can be found on [GadgetAngel's GitHub repository](#) for the Octopus V1.1

The [original PIN diagram](#) can be found on [Bigtreetech's GitHub repository](#) for Octopus V1.1 (preview friendly version)

A year later this figure grew to 350 Voron2 printers.





INPUT VOLTAGE SWITCH

Check the input voltage switch of the power supply. It is located in the highlighted area.

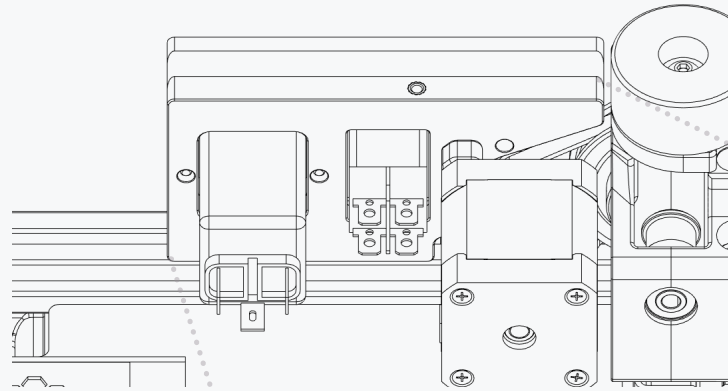
Make sure the selection matches your local mains voltage. Refer to the Mean Well LRS-200 datasheet for possible settings ([voron.link/e0szdyh](https://www.voron.link/e0szdyh)).

POWER INLET

WWW.VORONDESIGN.COM

ATTACH 250MM OF WIRE

Cables should be at least 1mm² (AWG18) or thicker depending on local regulations.

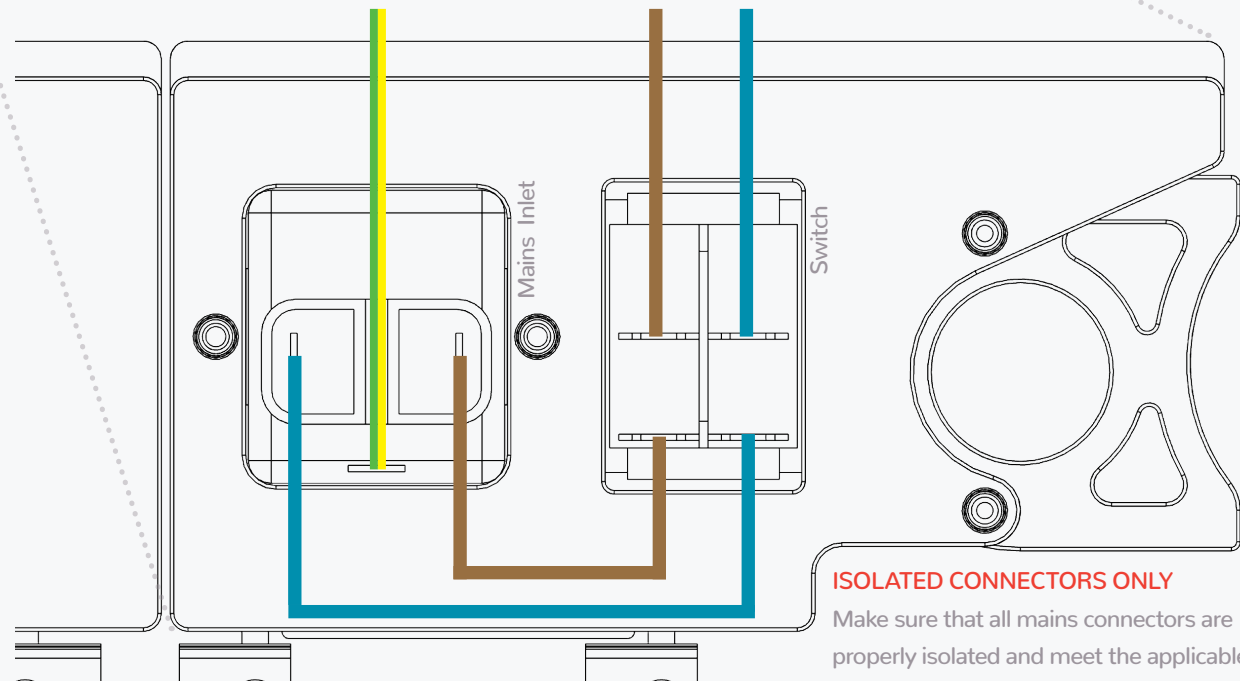


MAINS INLET WIRING

We show the wiring in the IEC colour scheme. Depending on your region the colour scheme and wiring standards will differ.

Mains wiring should only be done by qualified personnel trained in local regulations and safety standards. Depending on your local regulations you may be forbidden from wiring the mains side and/or putting the printer into operation; seek professional assistance.

Failure to observe those could result in bodily harm.



ISOLATED CONNECTORS ONLY

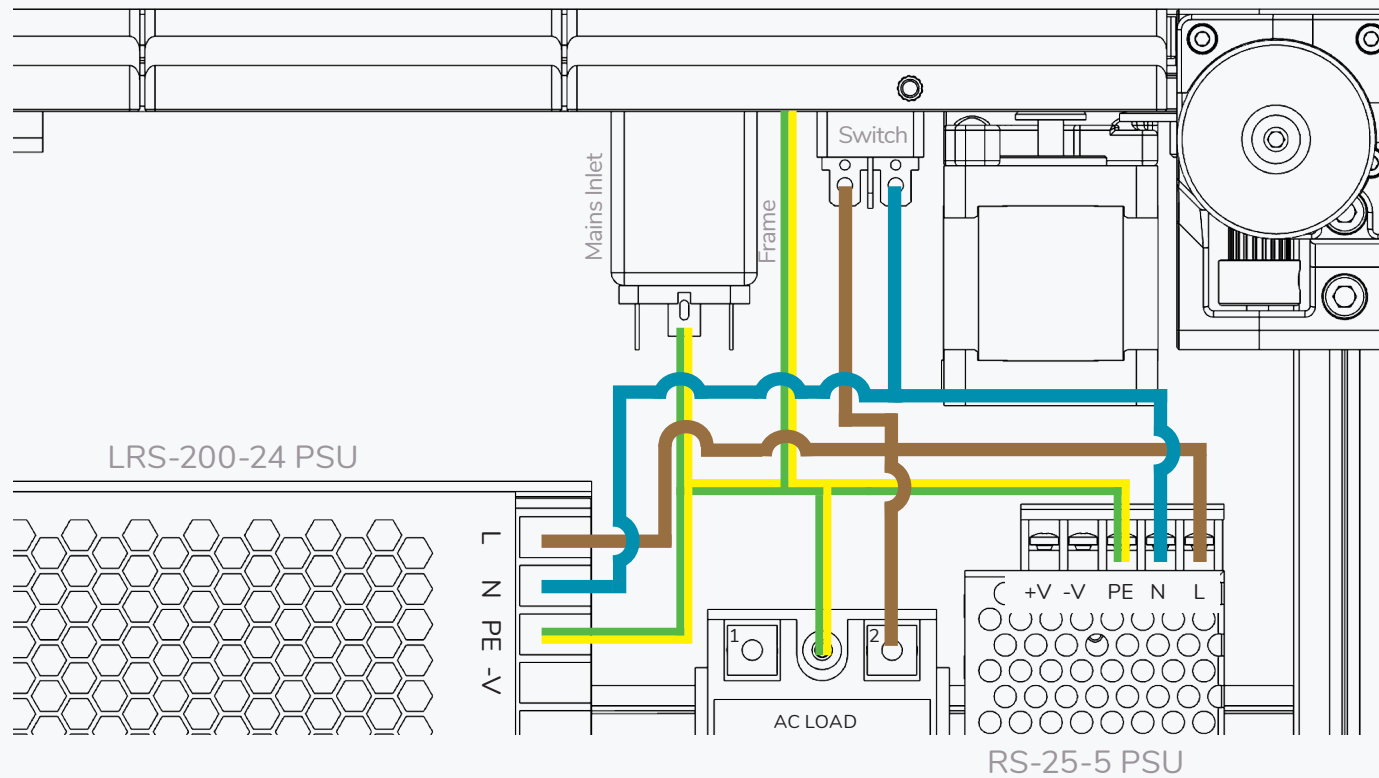
Make sure that all mains connectors are properly isolated and meet the applicable safety standards.

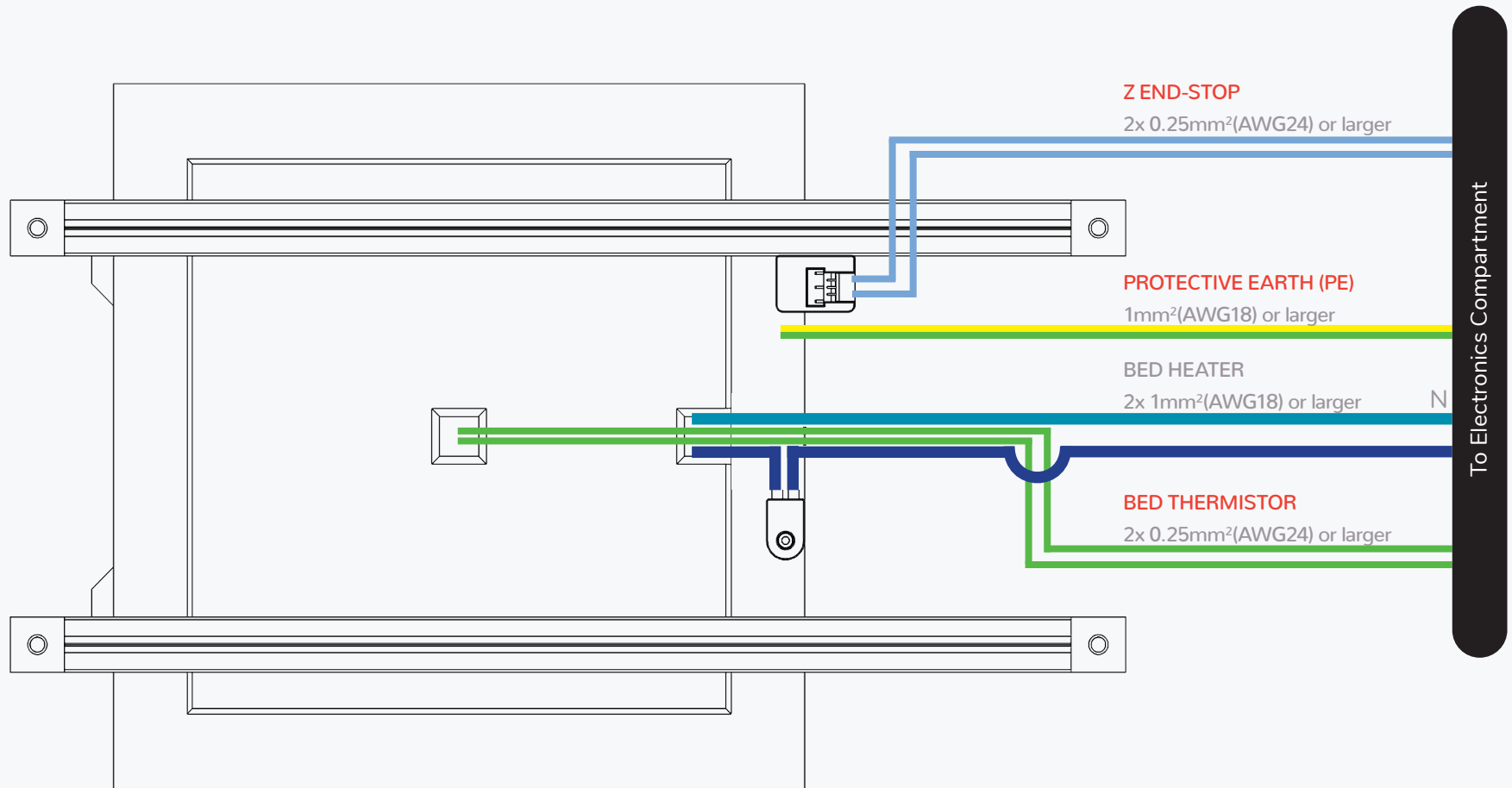
MAINS WIRING CONTINUED

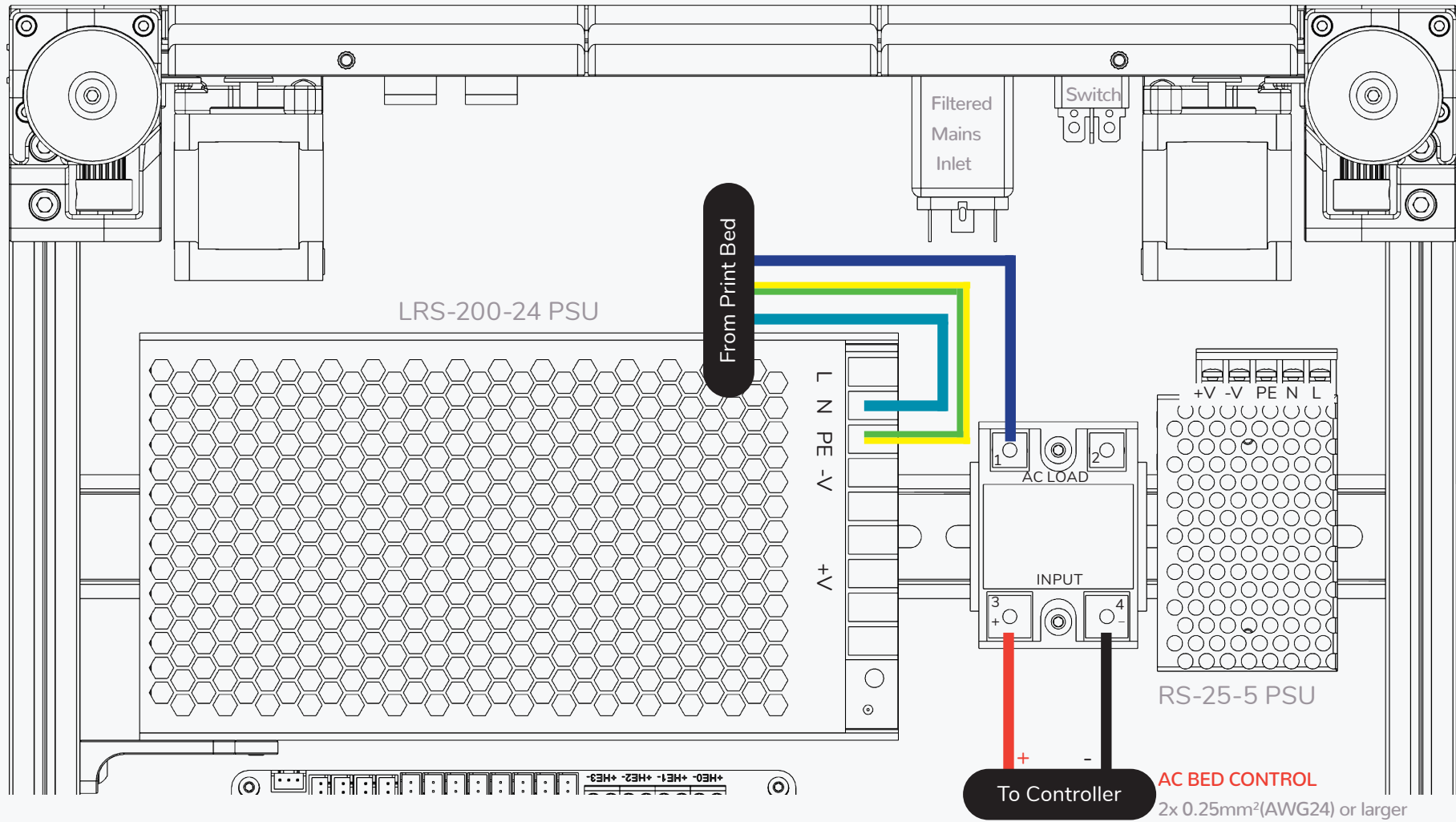
Secure the wires with cable clips / cable tie anchors.

The bed heater is powered by AC voltage and receives its PE in a later step.

Observe your local regulations in regards to the Protective Earth connections for the frame/other components.



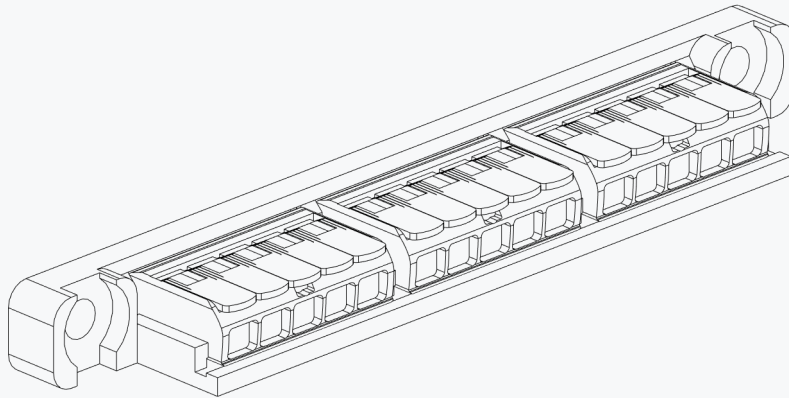




AC BED CONTROL
2x 0.25mm²(AWG24) or larger

ALTERNATE MAINS WIRING - WAGO CLAMPS

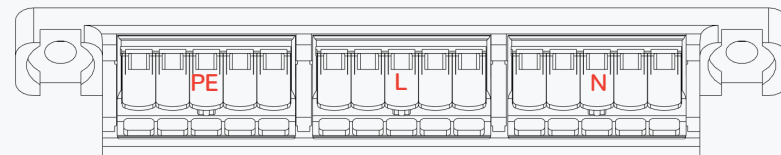
WWW.VORONDESIGN.COM



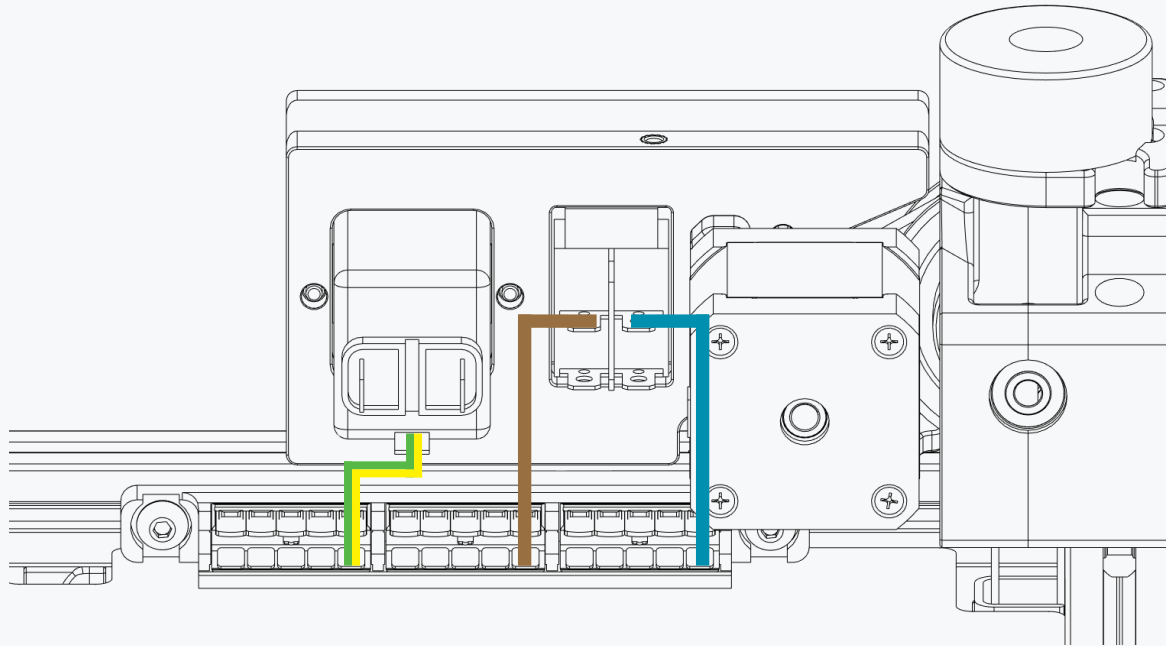
OPTION: WAGO CLAMPS FOR MAINS

WAGO wire clamps allow for a clean and easy wiring of the mains side.

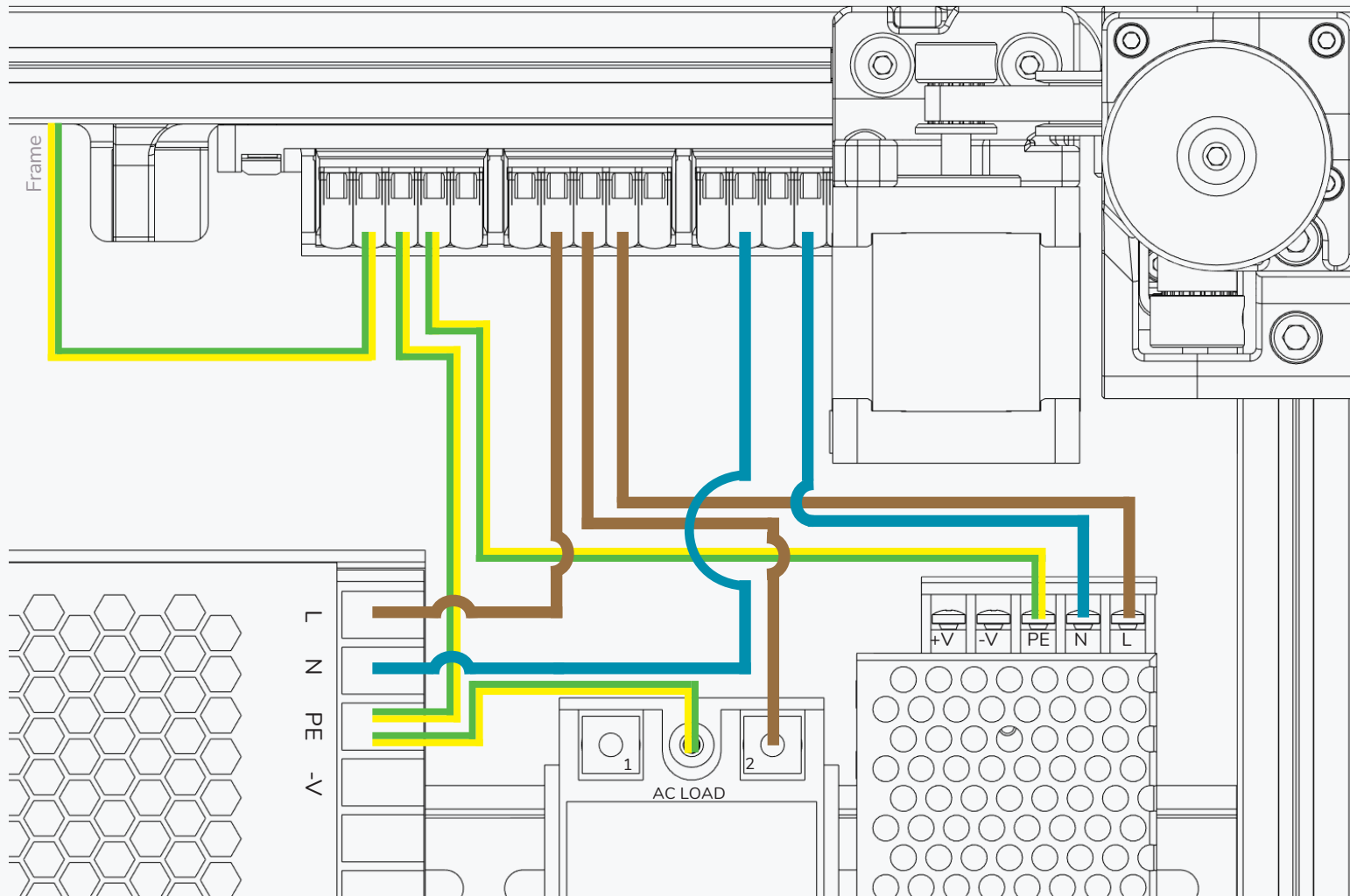
You may want to label your clamps as shown below.



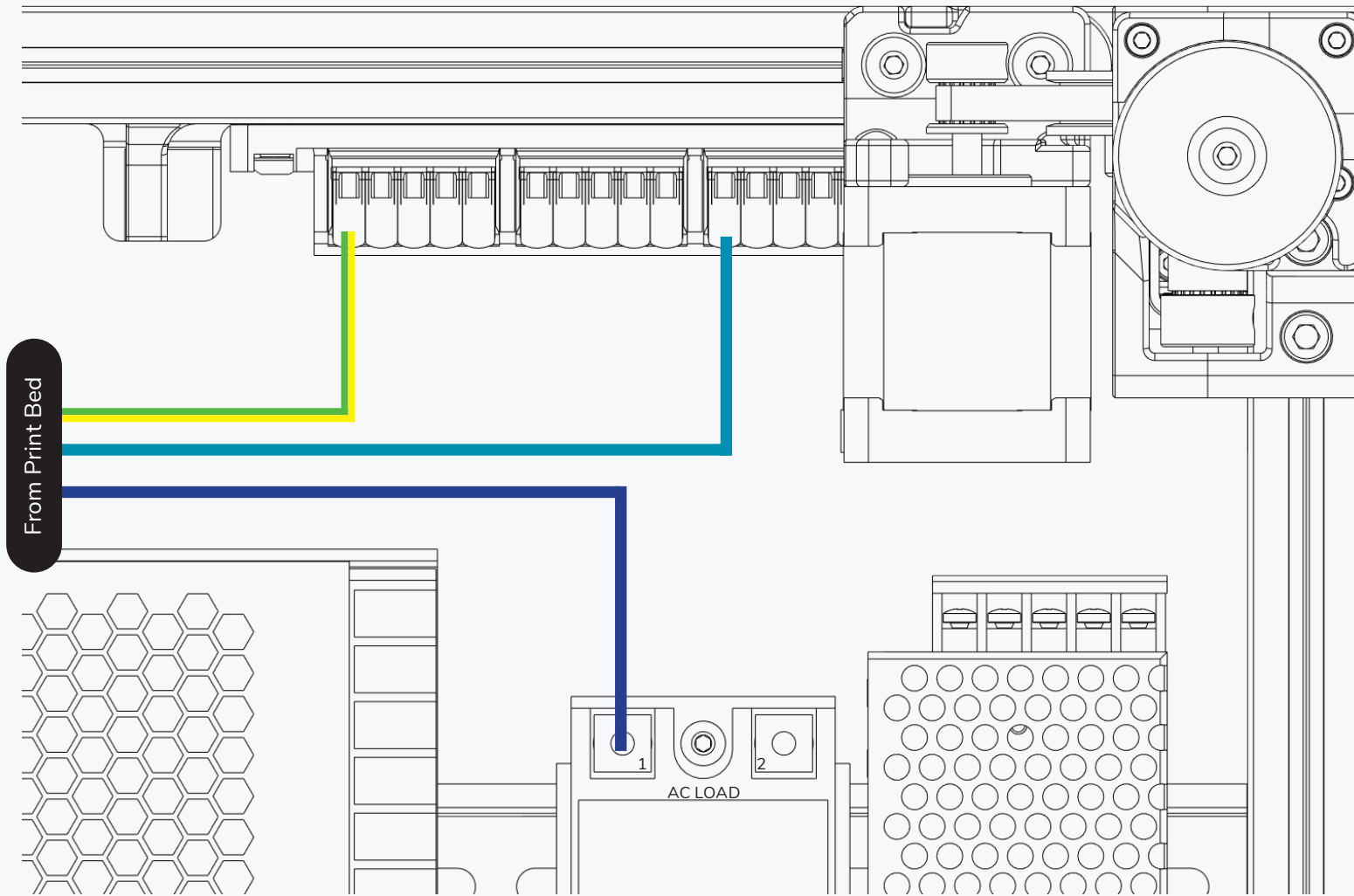
ALTERNATE MAINS WIRING - WAGO CLAMPS

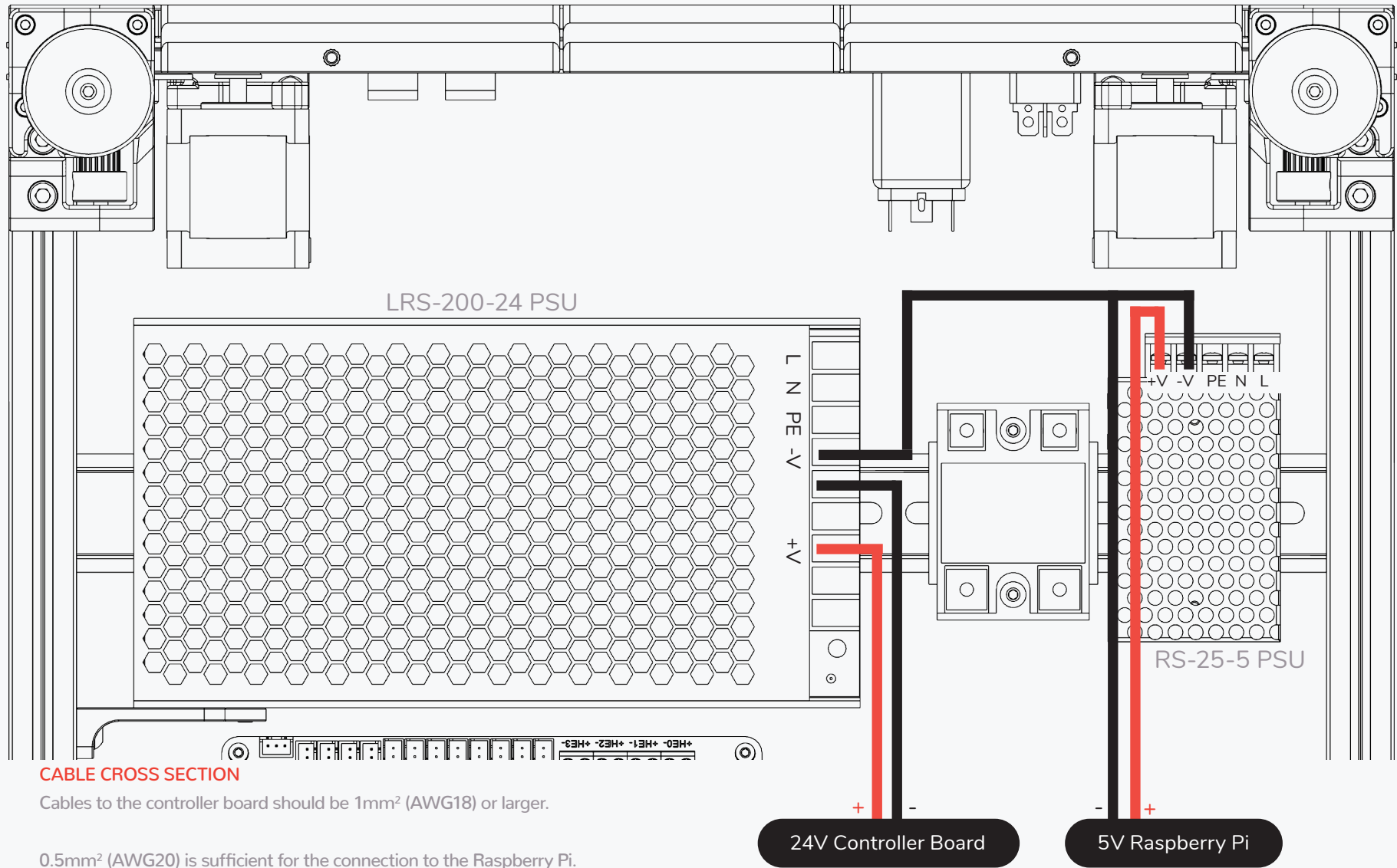


ALTERNATE MAINS WIRING - WAGO CLAMPS



ALTERNATE MAINS WIRING - WAGO CLAMPS

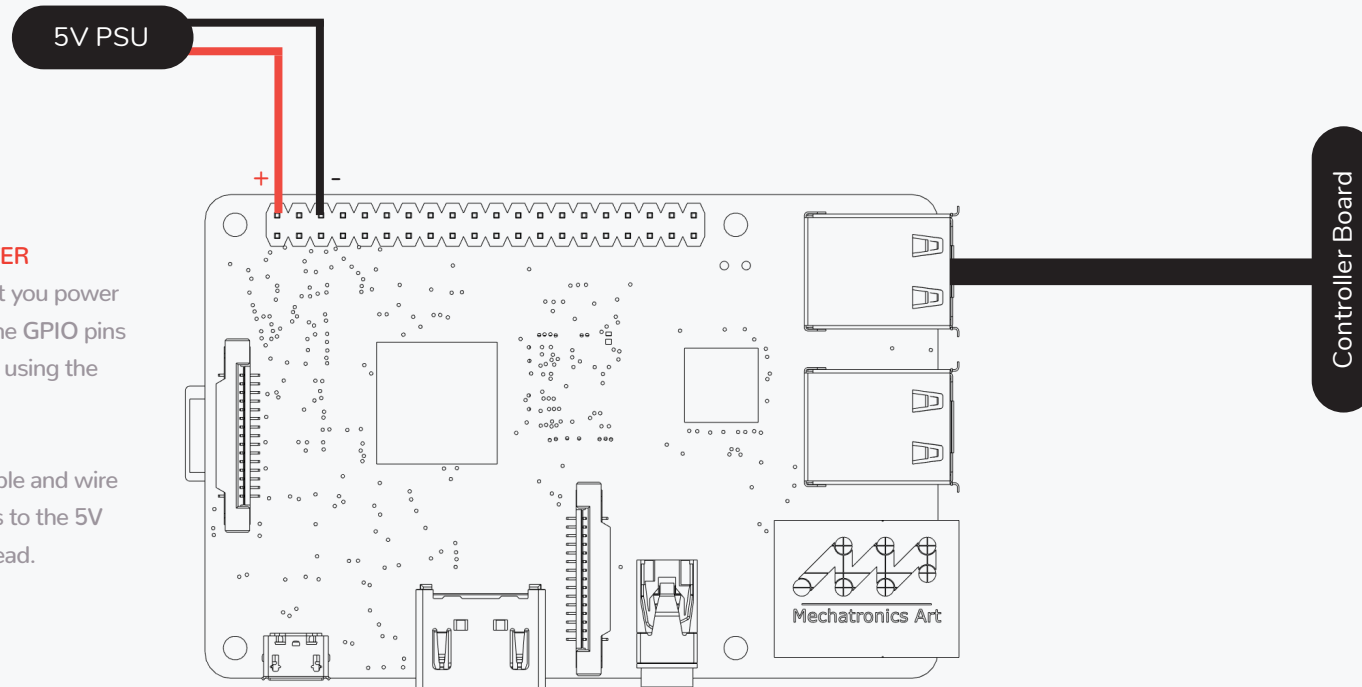




RASPBERRY PI POWER

While we suggest that you power the Raspberry Pi via the GPIO pins you may also power it using the "Power-In" USB port.

Cut a suitable USB cable and wire the + and ground lines to the 5V DC/DC converter instead.



CONTROLLER BOARD

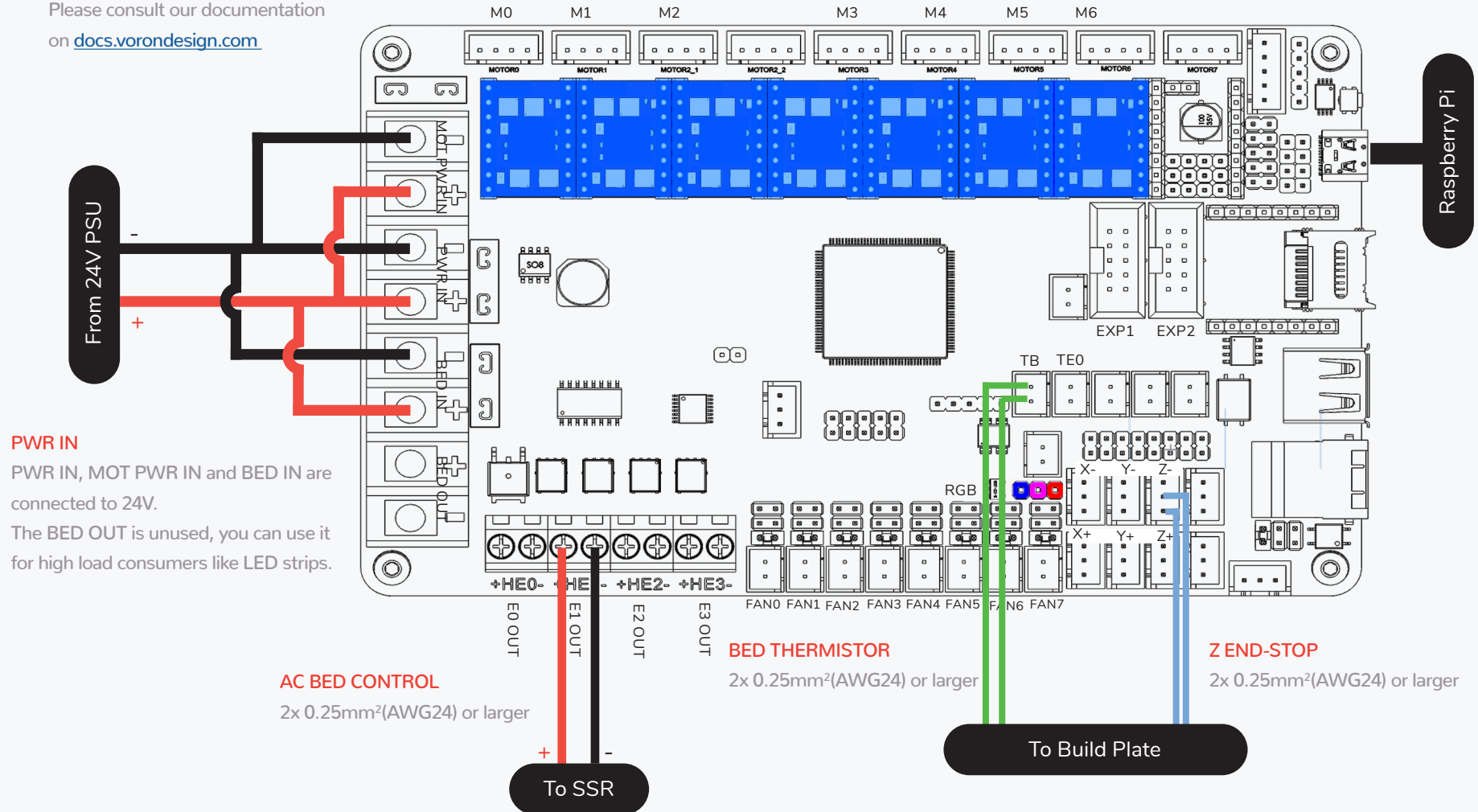
JUMPERS

Several jumpers may need to be configured on the controller board. Please consult our documentation on docs.vorondesign.com

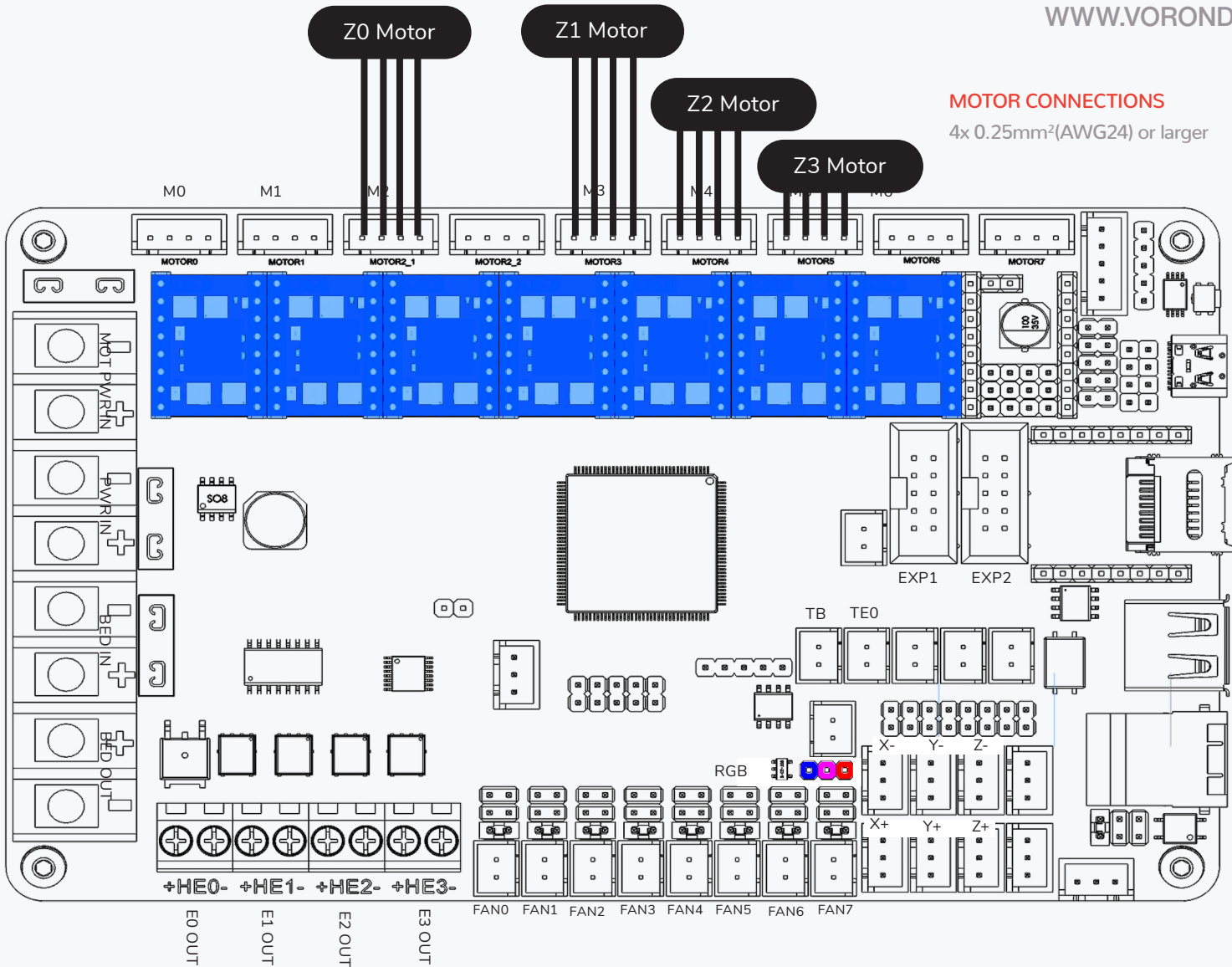
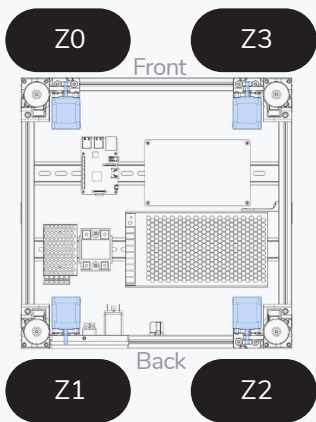
CONTROLLER BOARD

The assembly manual will outline the wiring for a Bigtreetech Octopus V1.1. You can find additional documentation and alternative configurations on docs.vorondesign.com

WWW.VORONDESIGN.COM



CONTROLLER BOARD



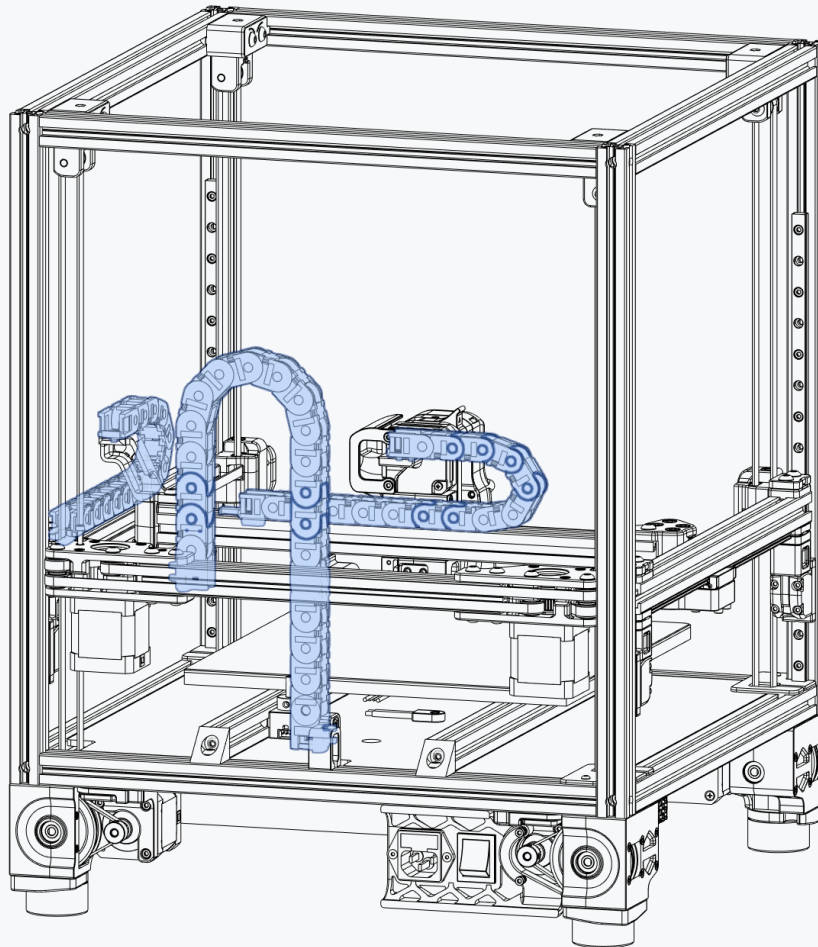
MOTOR CONNECTIONS
4x 0.25mm²(AWG24) or larger

BLACK MOTOR WIRES?

There is no standardized stepper wire colouring scheme. Each manufacturer implements their wires colours slightly different.

Please consult the datasheet of your stepper motors for the correct order.

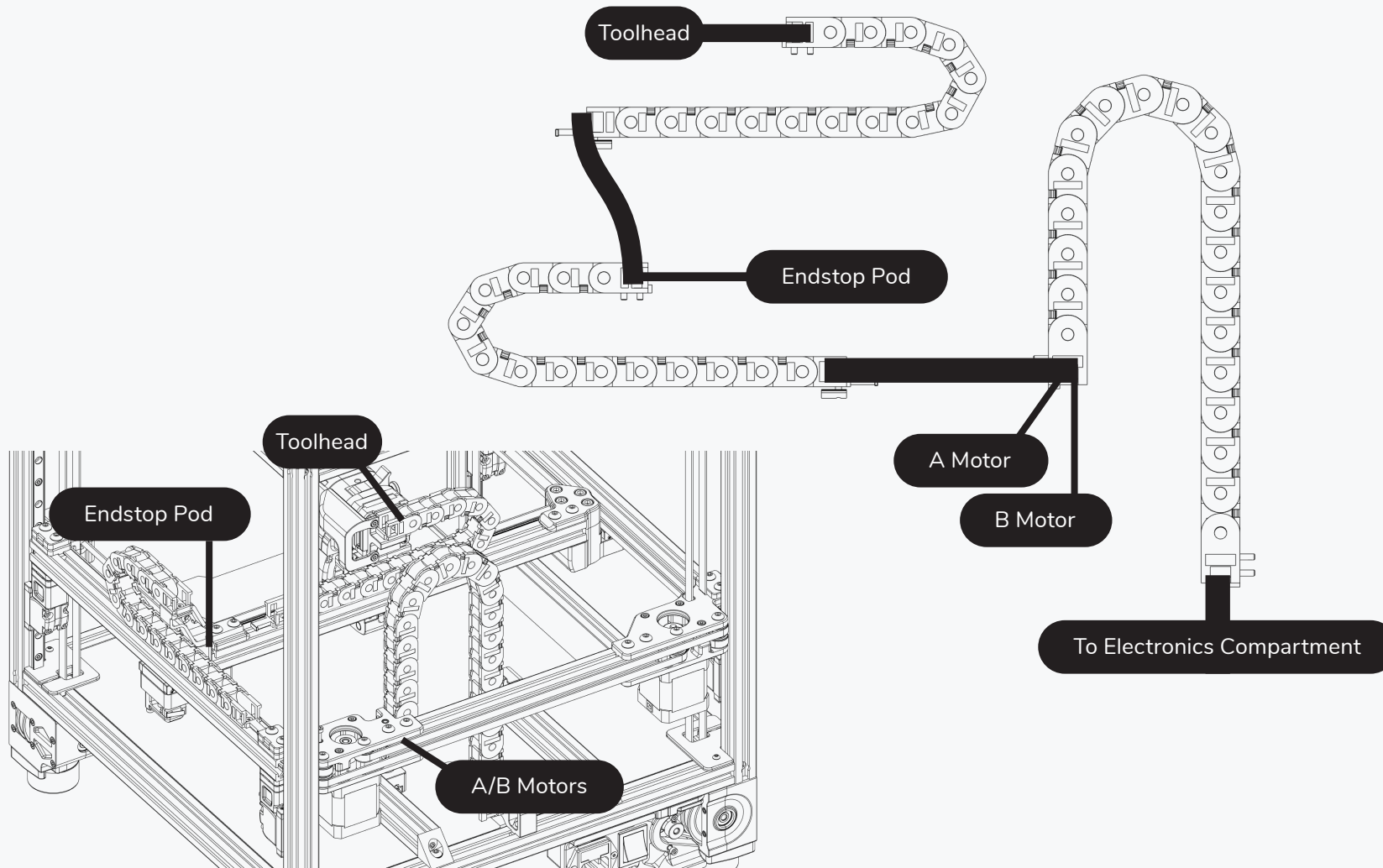
If your motors came with plugs it's usually safe to assume that this order is correct.

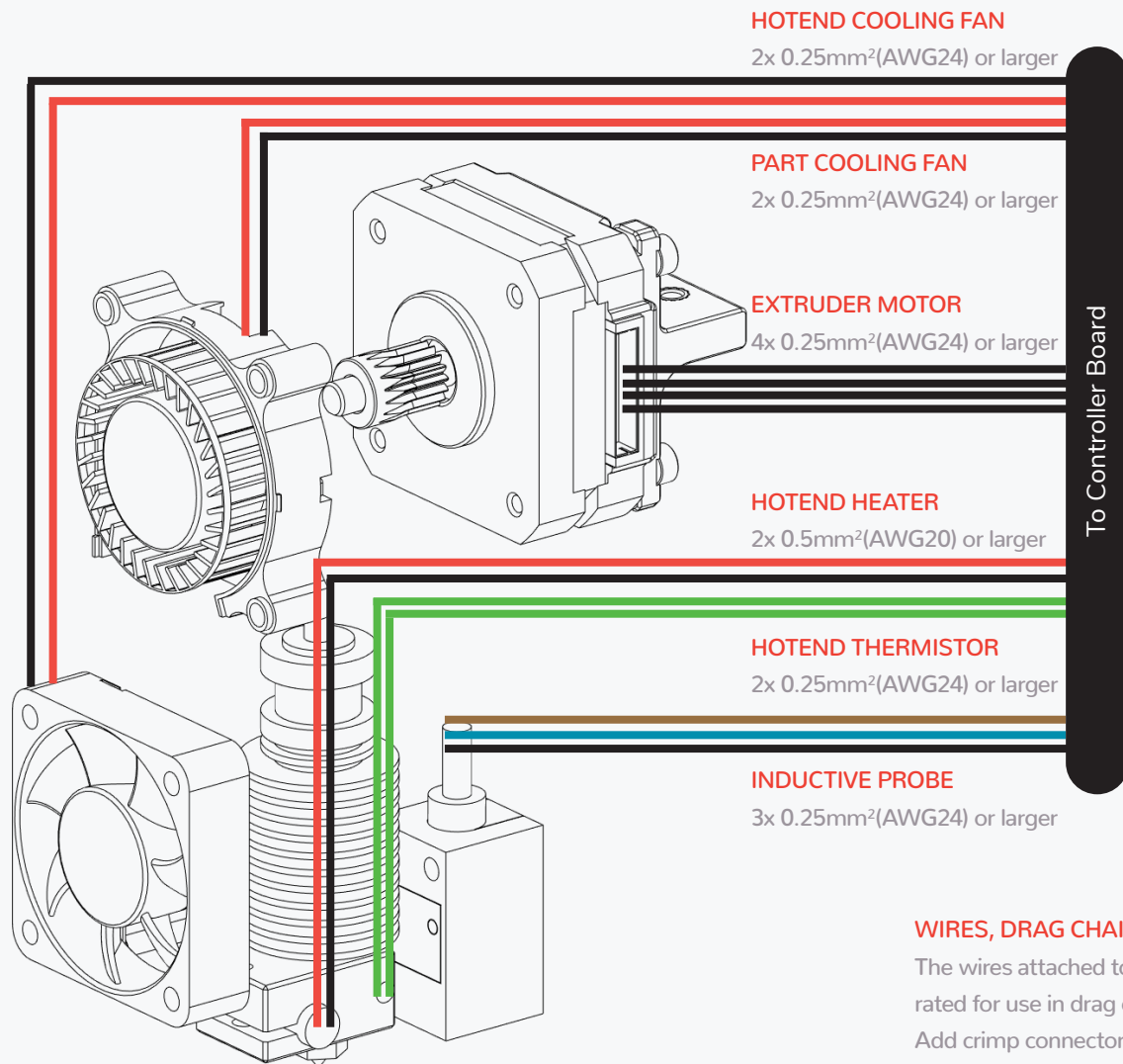


CABLE CHAINS INSTALL

You can opt to install the chains now and fish the wires through the chains or build the complete harness outside of the printer and install it in one go. Either approach does work.

If you sourced a pre-built wire harness completing the harness outside of the printer is recommended.



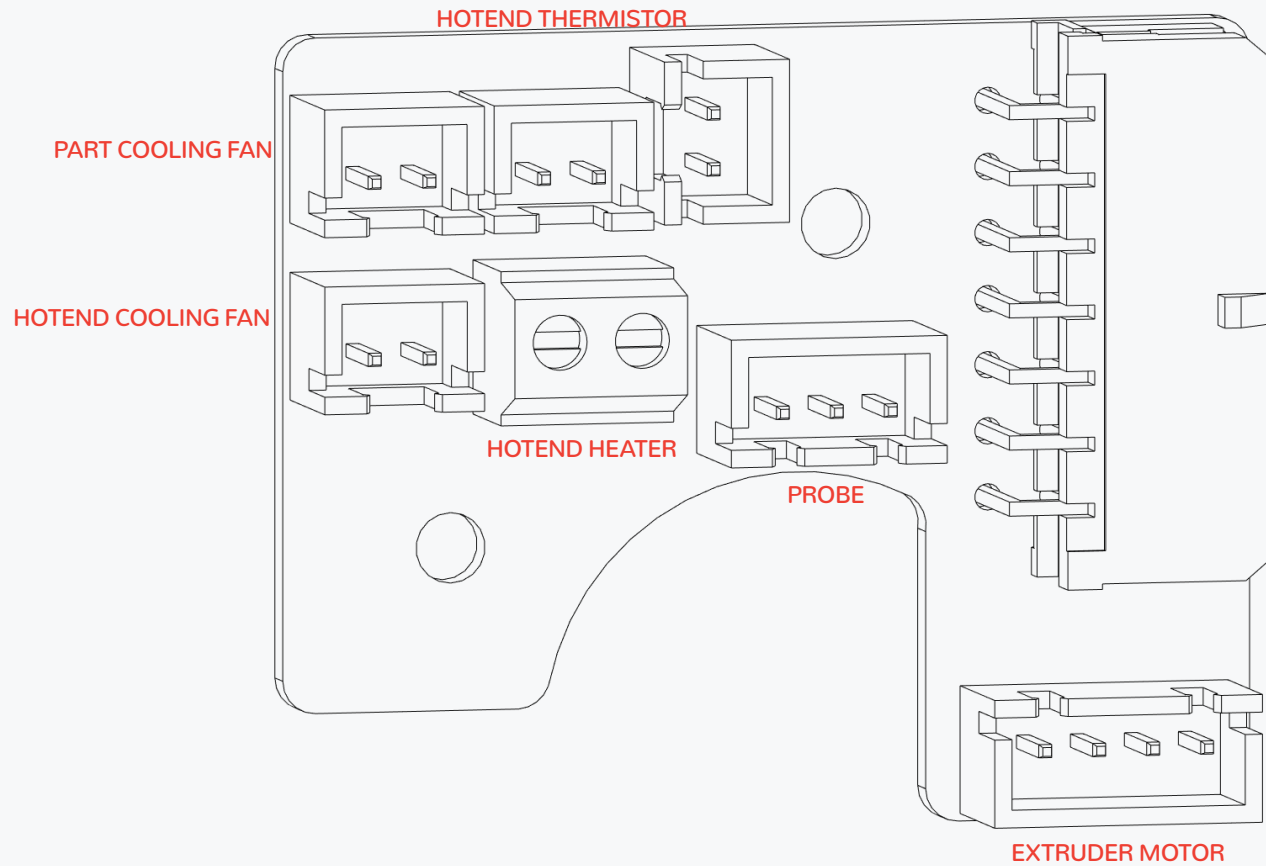


WIRES, DRAG CHAINS AND CRIMPS

The wires attached to the probe, fans, heater, etc. are usually not rated for use in drag chains. Add crimp connectors at the toolhead and run suitable wire down the drag chains. Refer to the sourcing guide for options.

ALTERNATE HOTEND WIRING - TOOLHEAD PCB

WWW.VORONDESIGN.COM

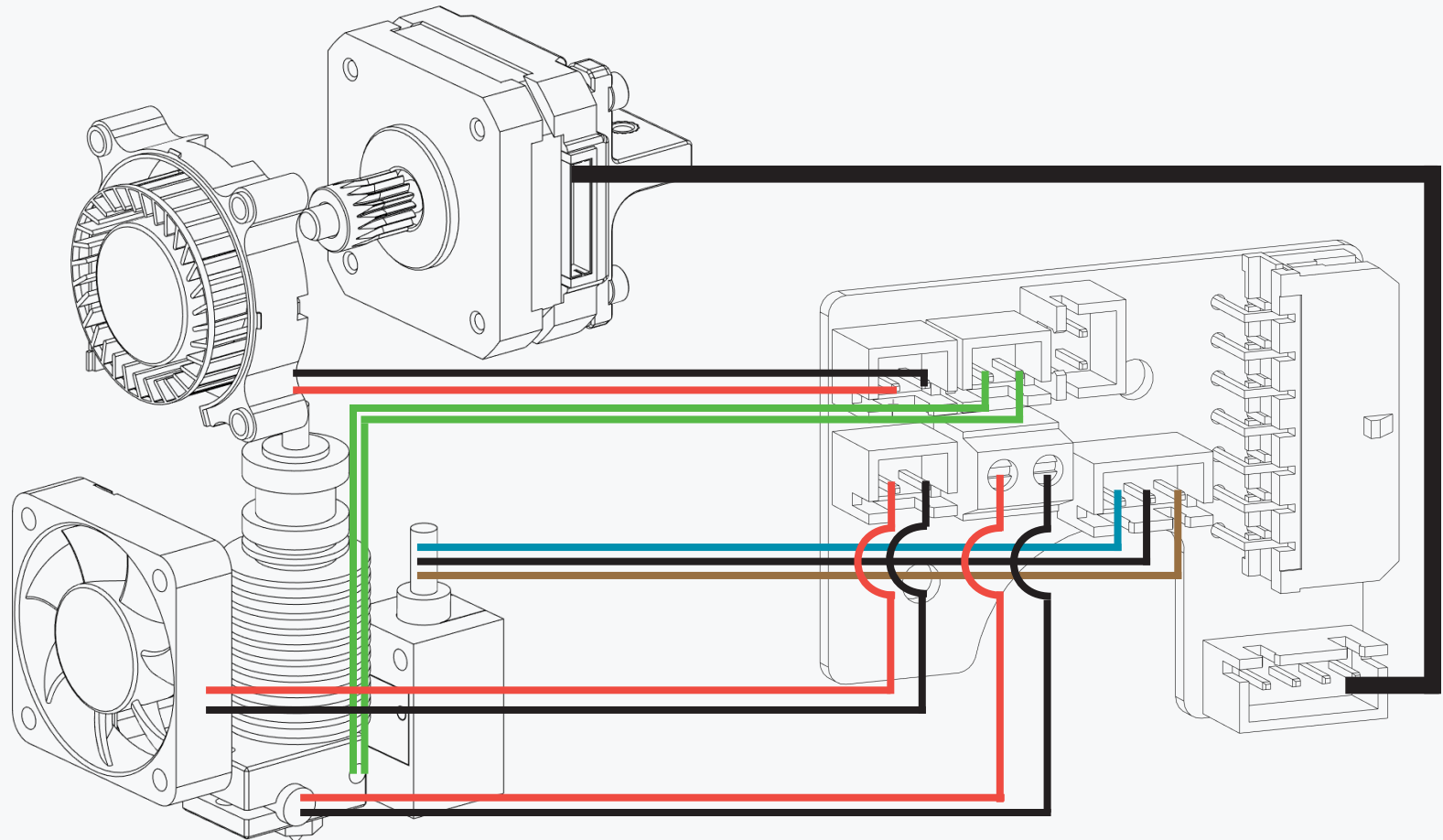


OPTION: TOOLHEAD PCB

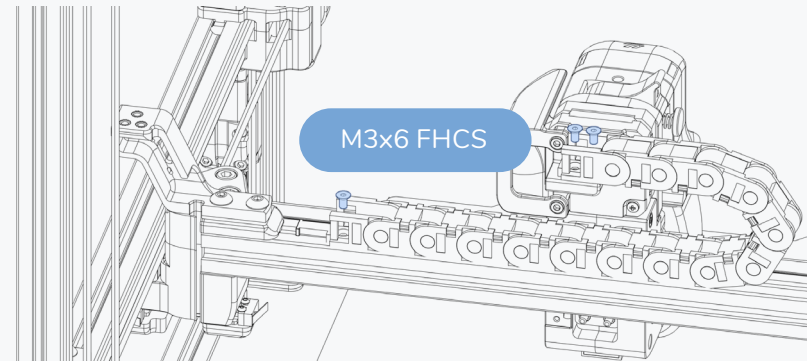
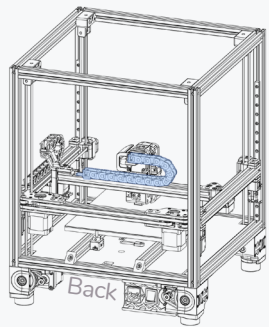
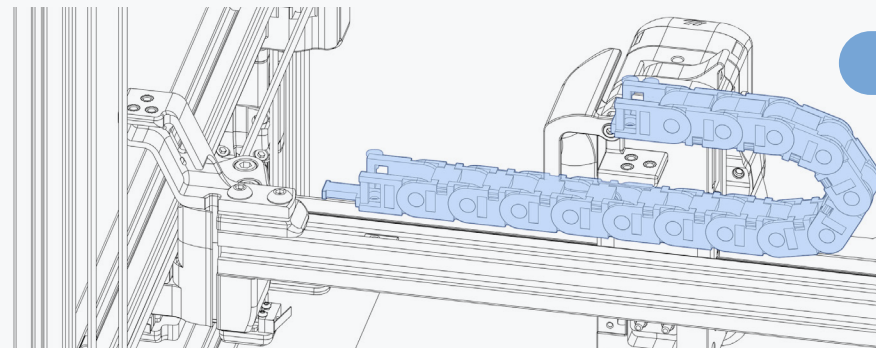
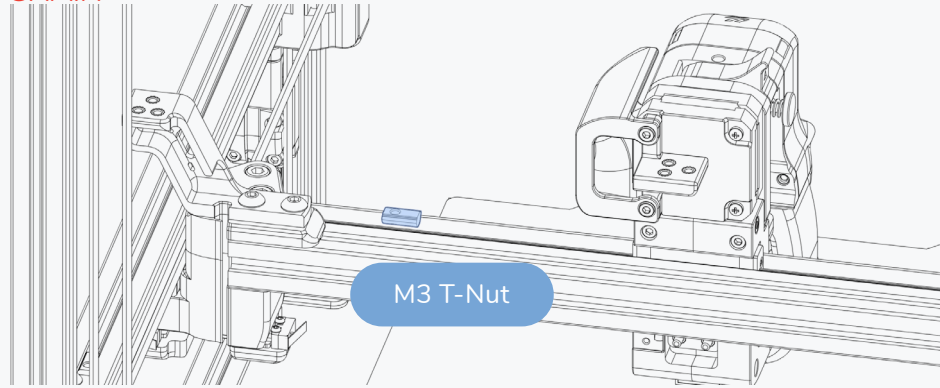
The layout of the toolhead pcb changed over the versions. For a full breakdown visit the link below.

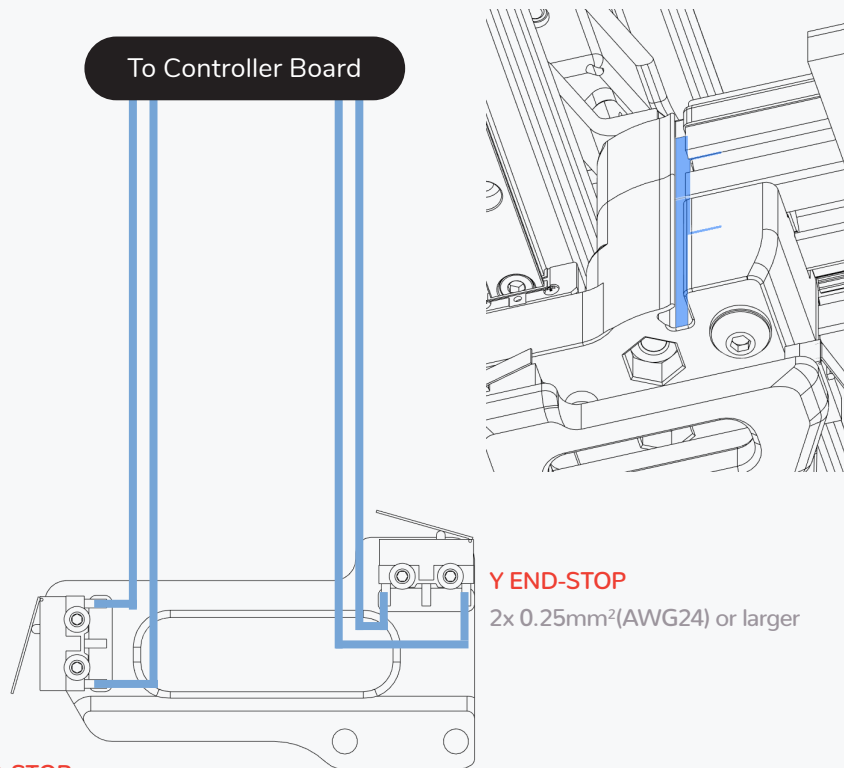


<https://voron.link/zopduze>



X CABLE CHAIN



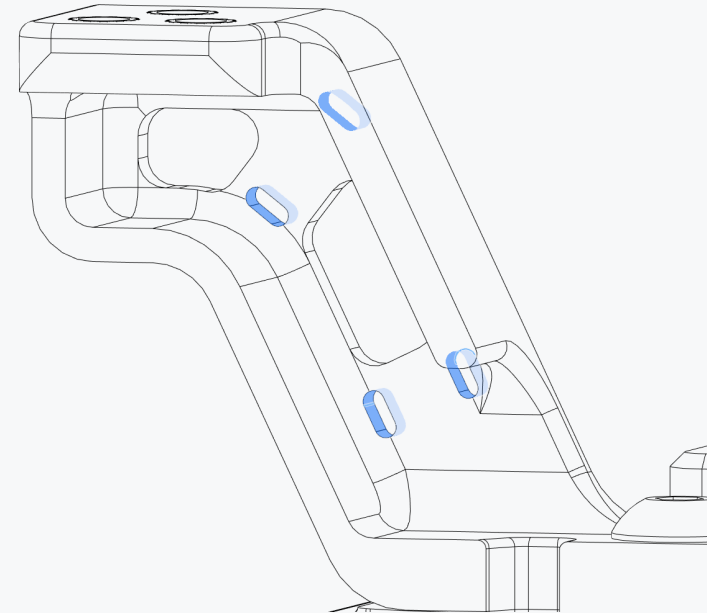


X END-STOP
2x 0.25mm²(AWG24) or larger

Y END-STOP
2x 0.25mm²(AWG24) or larger

OPTION: ENDSTOP BOARD/HALL EFFECT BOARD

Those boards utilize a 4 pin connector instead. Please refer to <https://voron.link/djhygu> and <https://voron.link/d6qb7o6> for details.

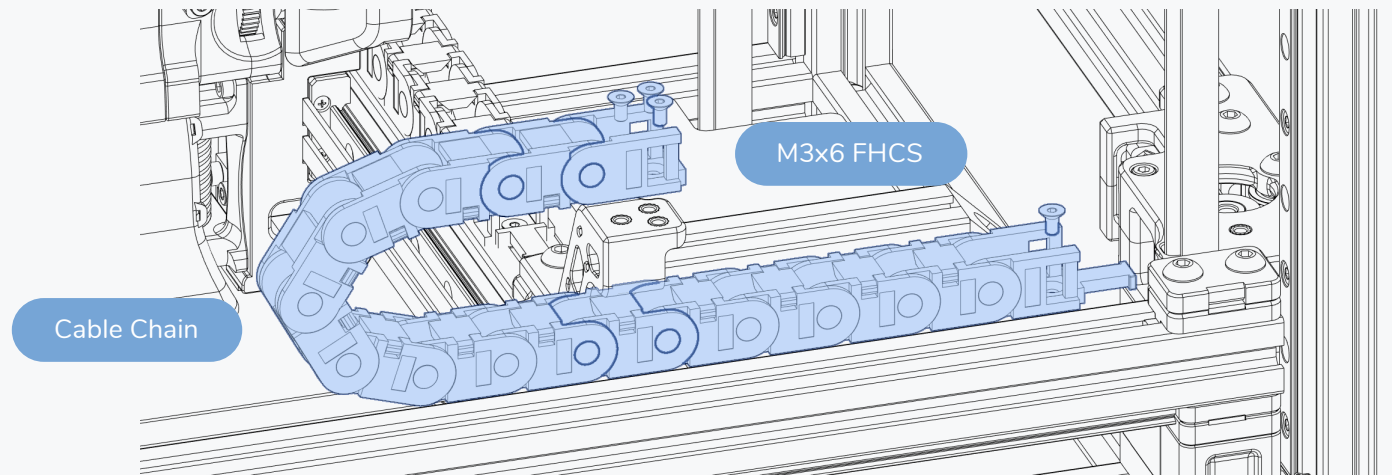
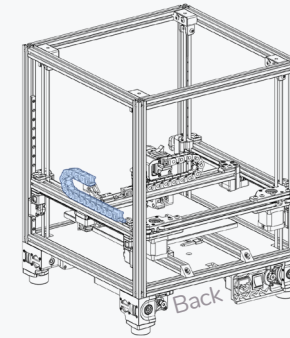
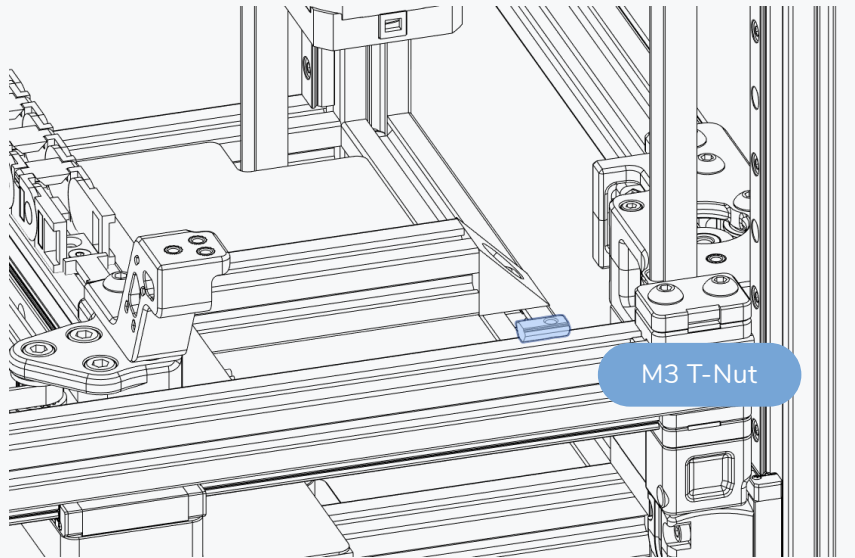


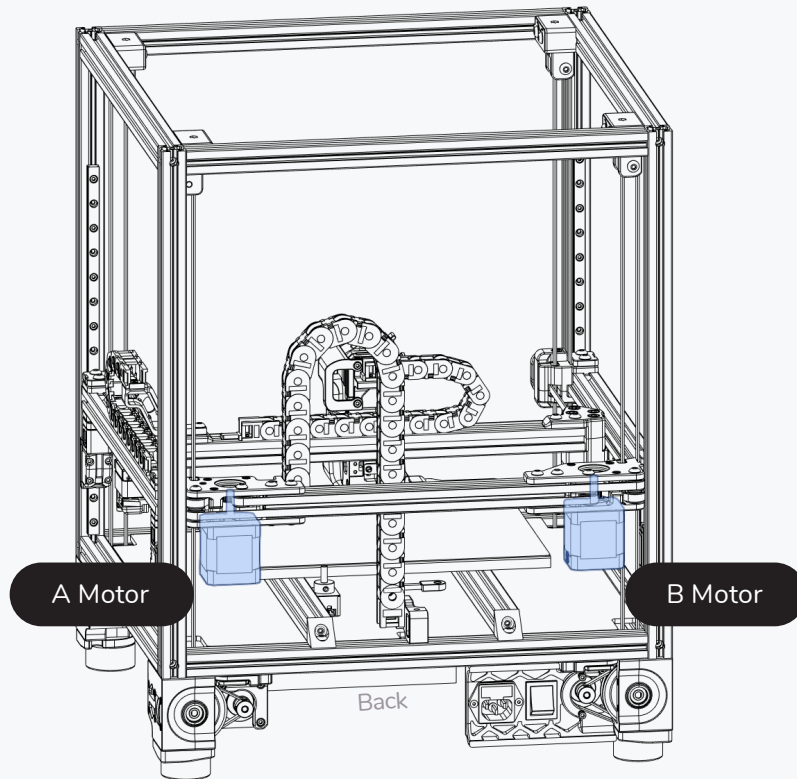
ZIP TIE LOOPS

Secure the wire bundle to the strain relief using small zip ties.

Y CABLE CHAIN

WWW.VORONDESIGN.COM

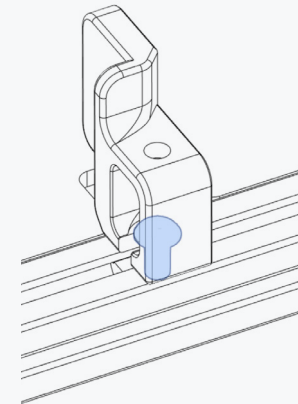
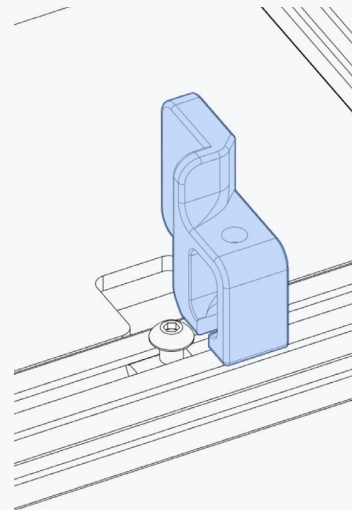
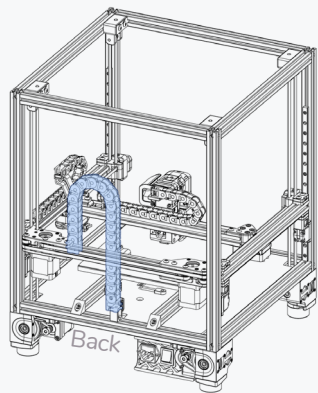
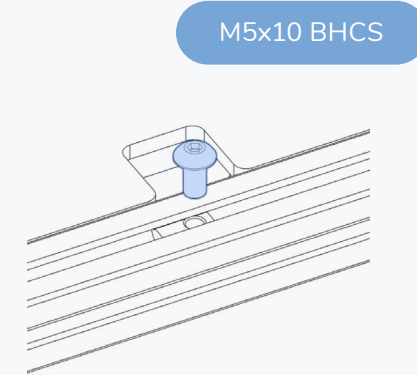
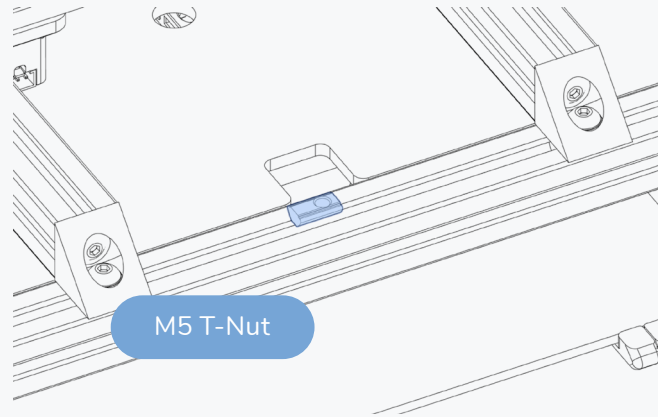
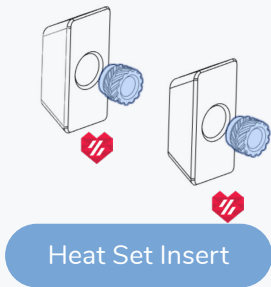




SECURING MOTOR CABLES

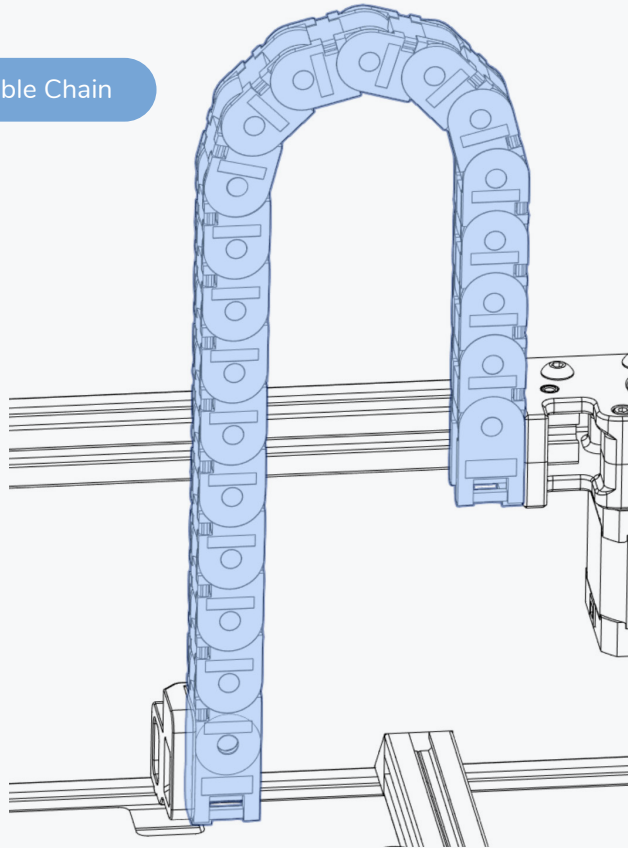
Secure the wire bundles along the small extrusion that sits between the drives with small zip ties.

Z CABLE CHAIN

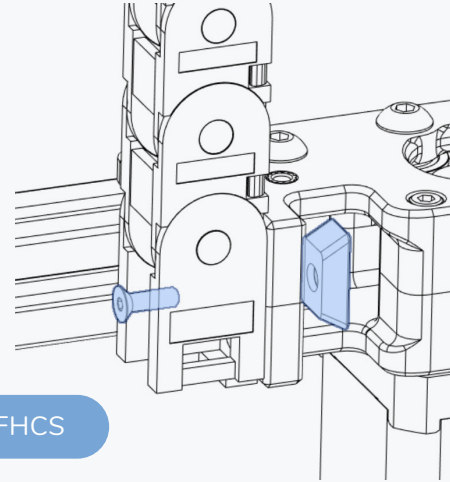


Z CABLE CHAIN

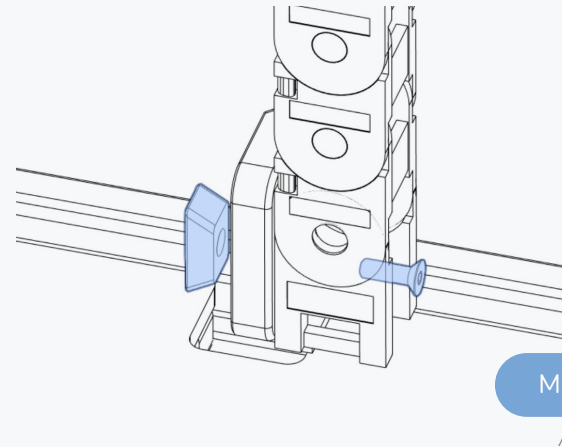
Cable Chain



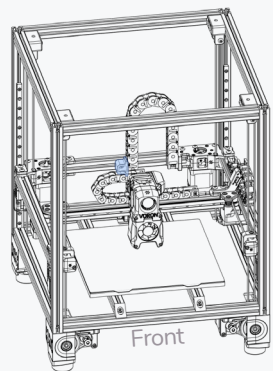
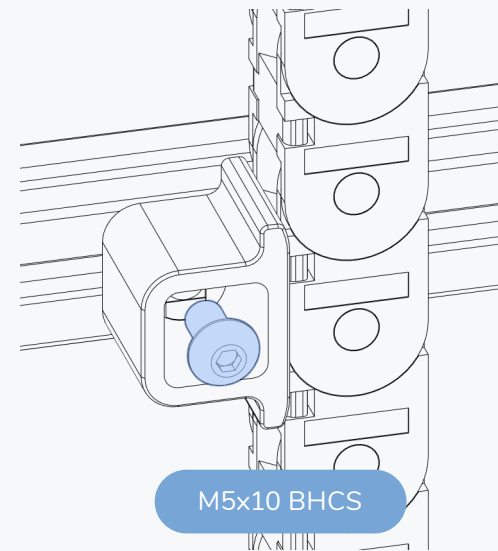
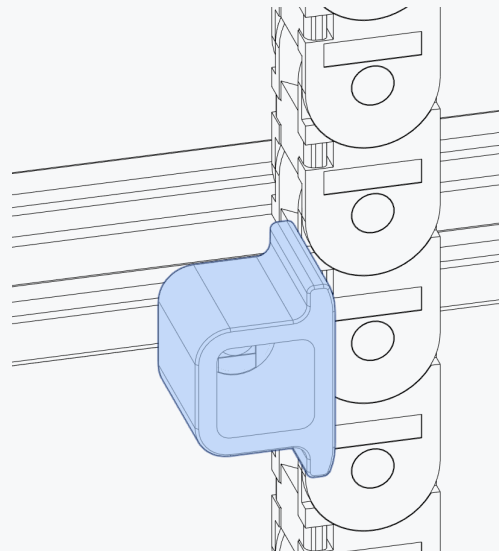
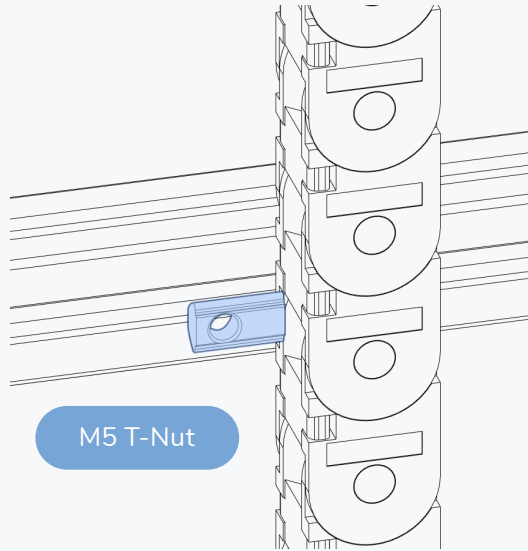
M3x10 FHCS



M3x10 FHCS

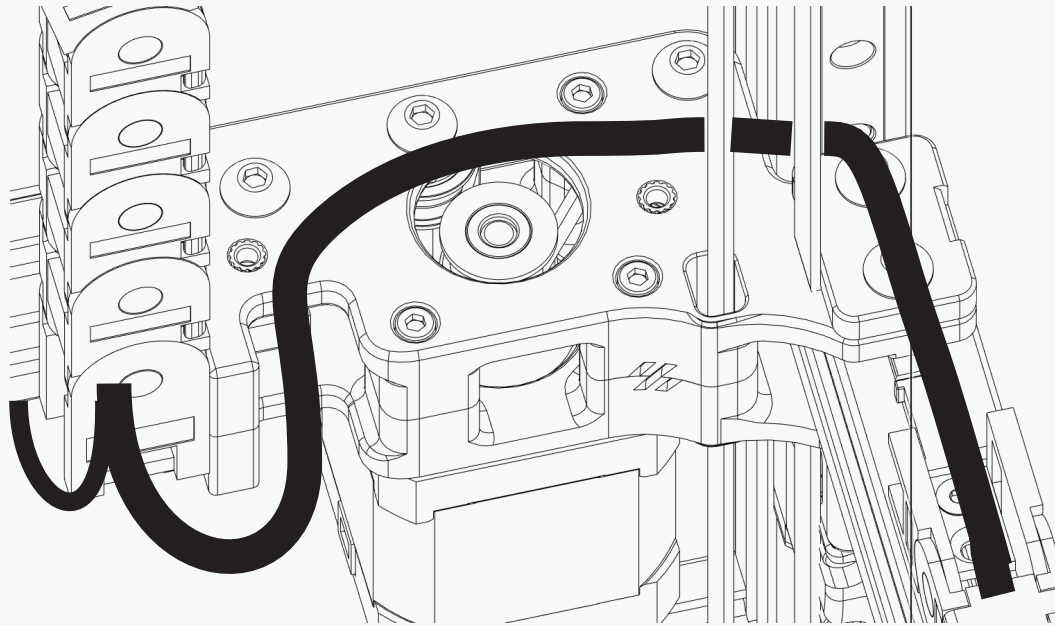


Z CABLE CHAIN



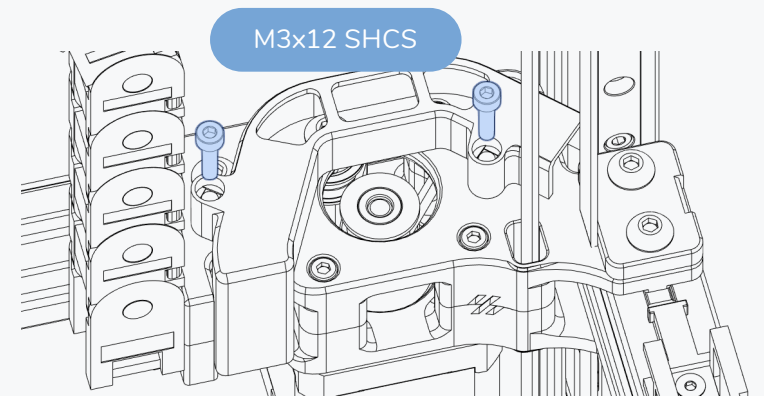
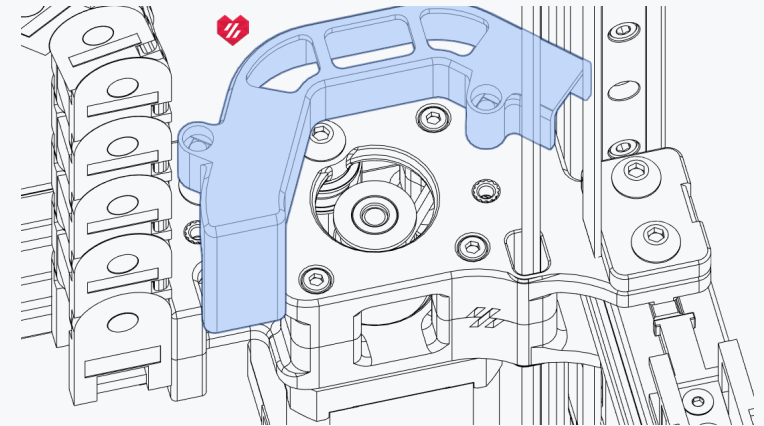
Z CABLE CHAIN

WWW.VORONDESIGN.COM



WIRE PATH

Guide the wire bundle behind the Z belt and over the A drive as shown above. Secure it with zip ties on the strain relief of the cable chains.



CONTROLLER WIRING

B MOTOR

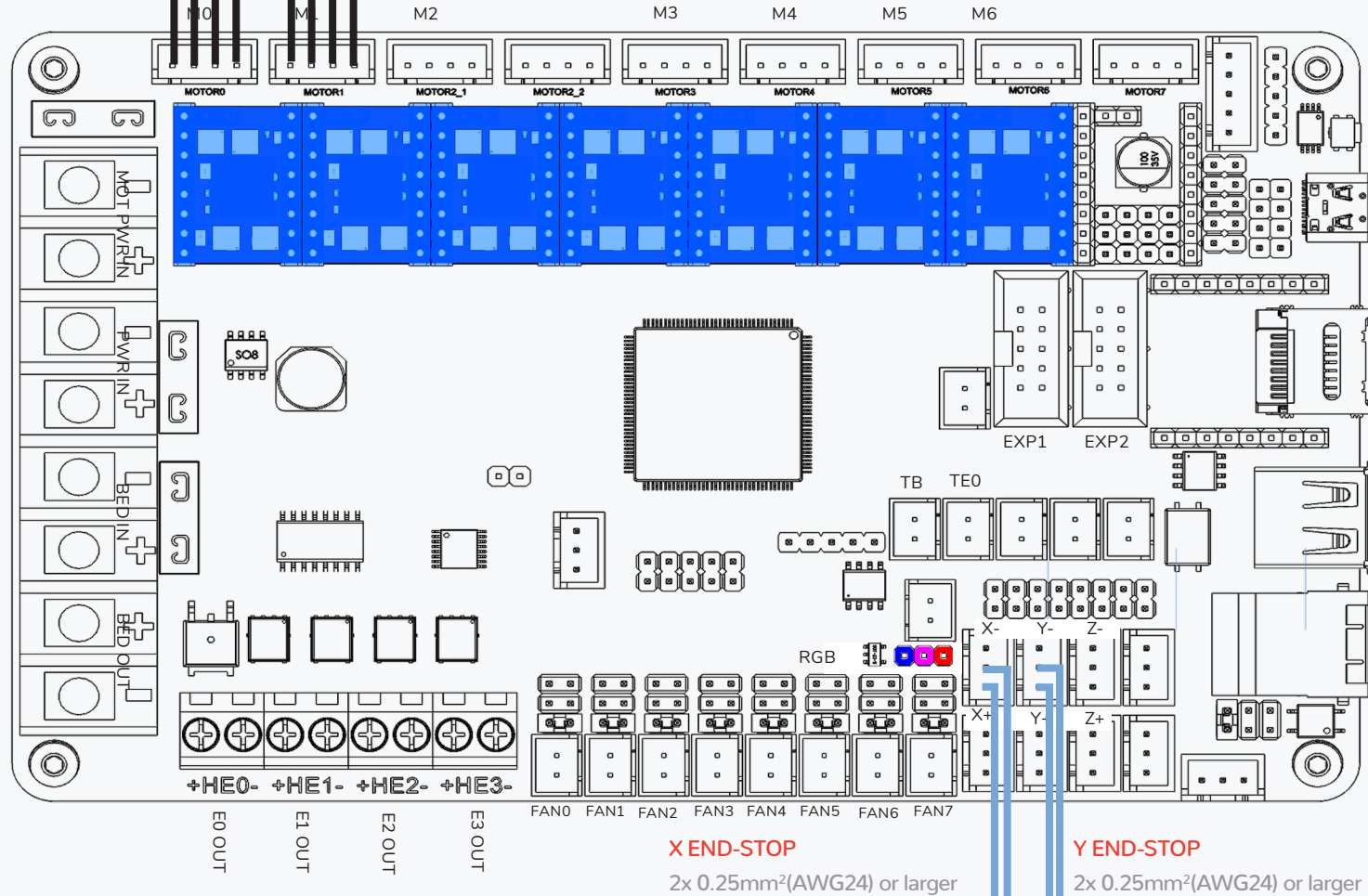
4x 0.25mm²(AWG24) or larger

B Motor

A Motor

A MOTOR

4x 0.25mm²(AWG24) or larger



X END-STOP

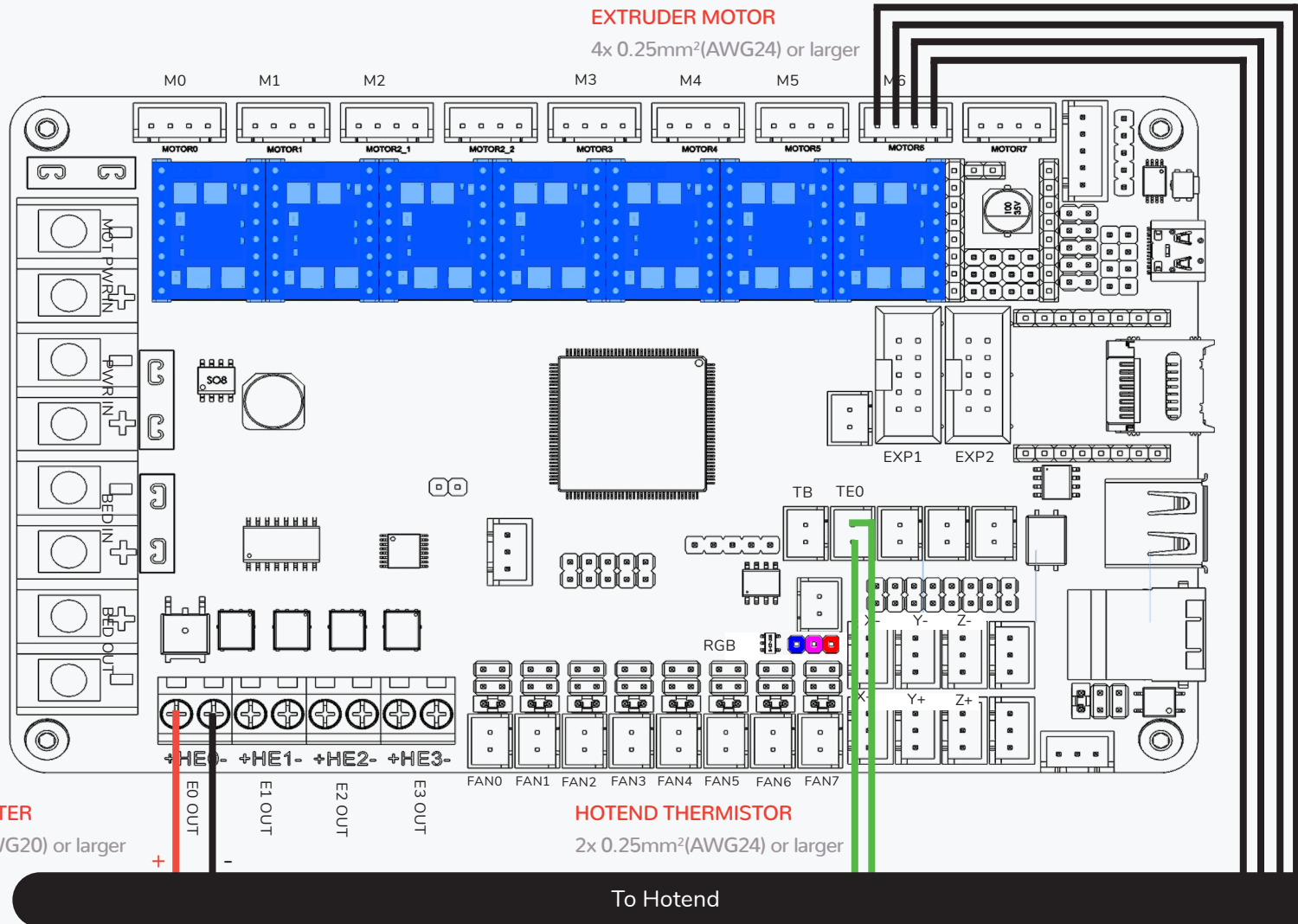
2x 0.25mm²(AWG24) or larger

Y END-STOP

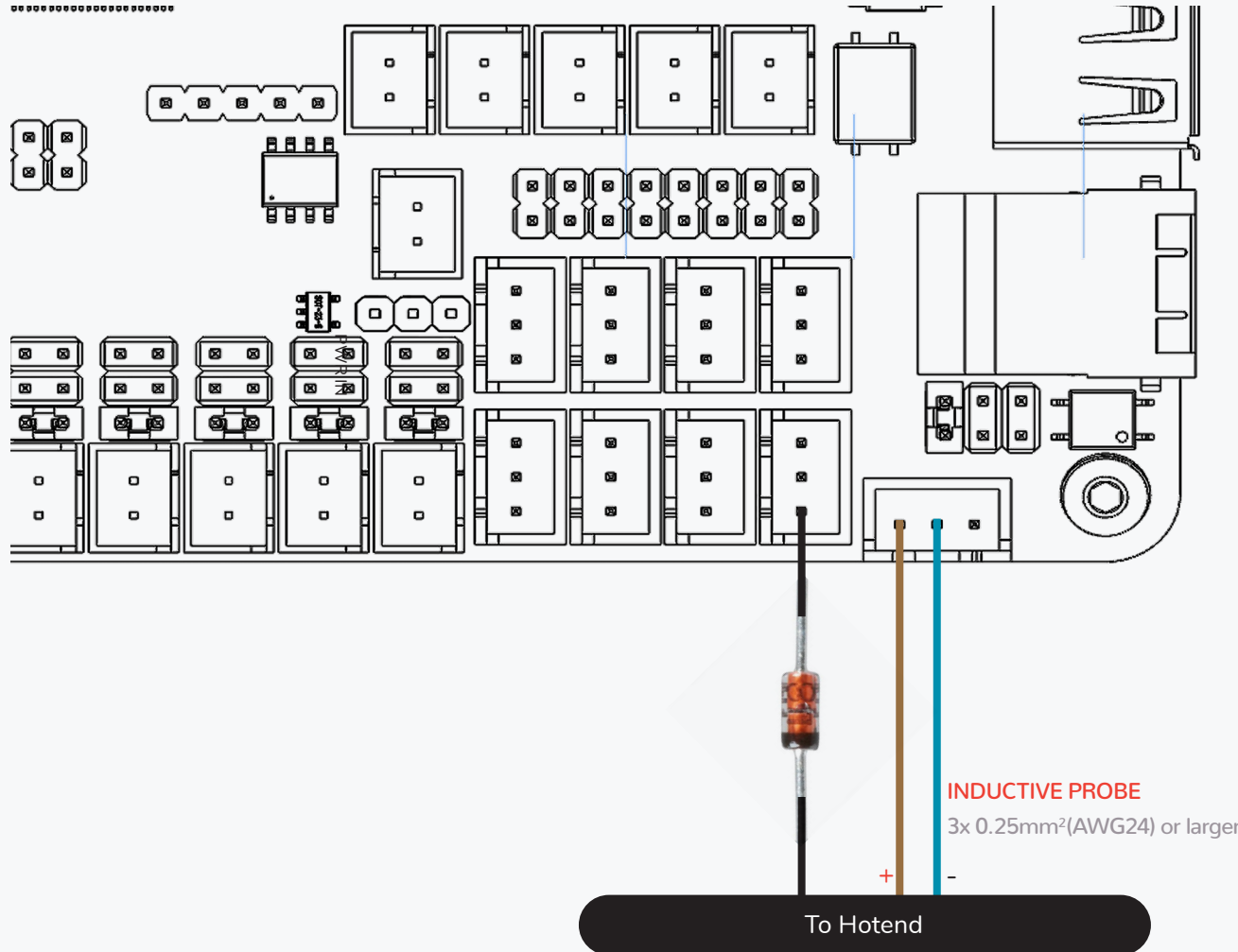
2x 0.25mm²(AWG24) or larger

To End-Stop Pod

CONTROLLER WIRING



PROBE WIRING

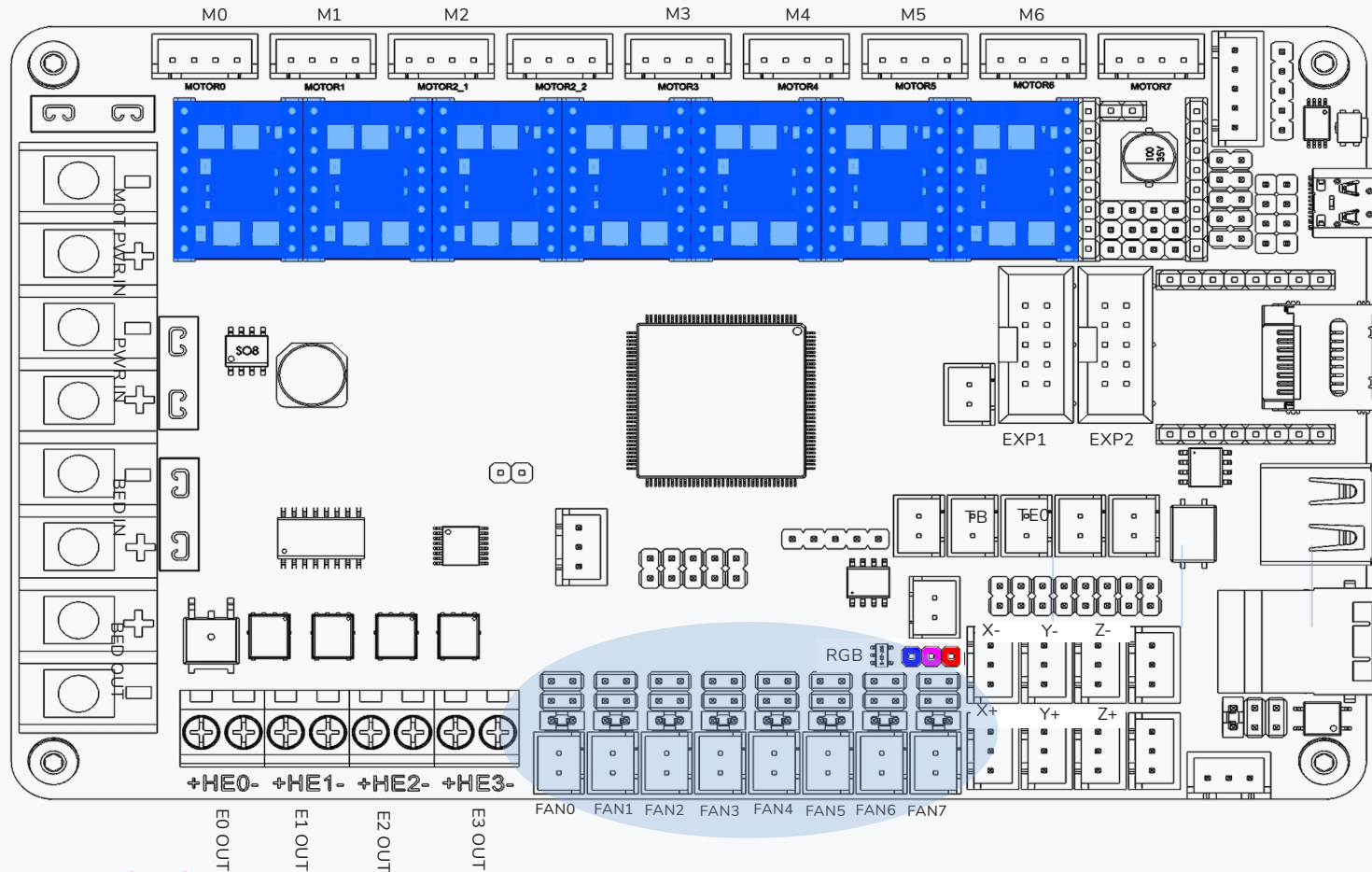


PROBE HOOKUP

Instead of using the dedicated probe input of the BTT Octopus we recommend wiring the probe's signal line to an endstop input using a BAT85 diode as protection.

The black ring on the diode "points" toward the toolhead.

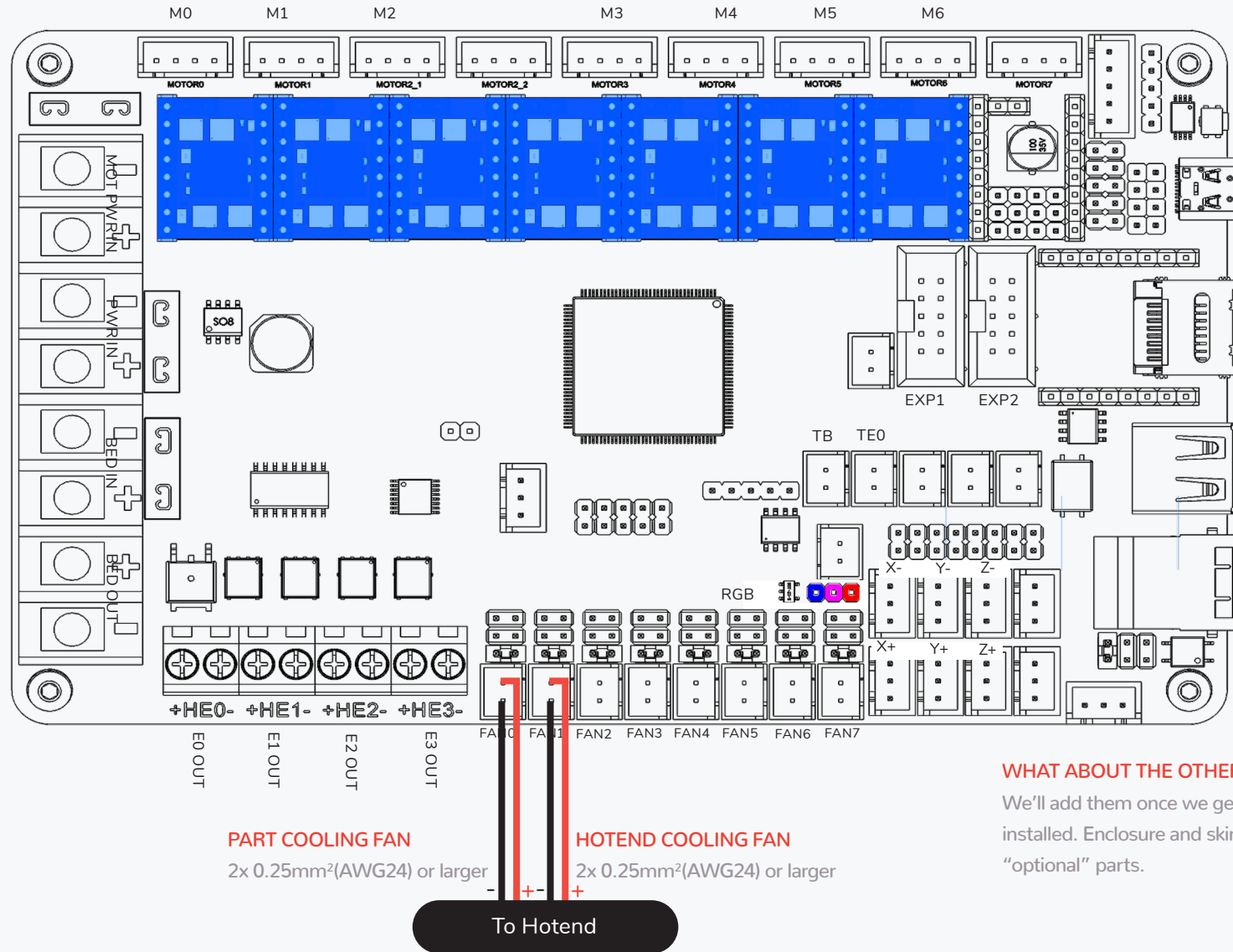
For technical details please refer to <https://voron.link/n9i7lss>.



FAN VOLTAGE

The fans recommended in the sourcing guide are 24V fans.

Please check your hotend cooling (40x40x10 axial), part cooling (40x40x20 blower) and exhaust/electronics (60x60x20 axial) fans for their voltage rating and jumper the voltage selection accordingly. Refer to the [Bigtreetech Octopus V1.1 manual](#) for possible settings.



PART COOLING FAN
2x 0.25mm²(AWG24) or larger

HOTEND COOLING FAN
2x 0.25mm²(AWG24) or larger

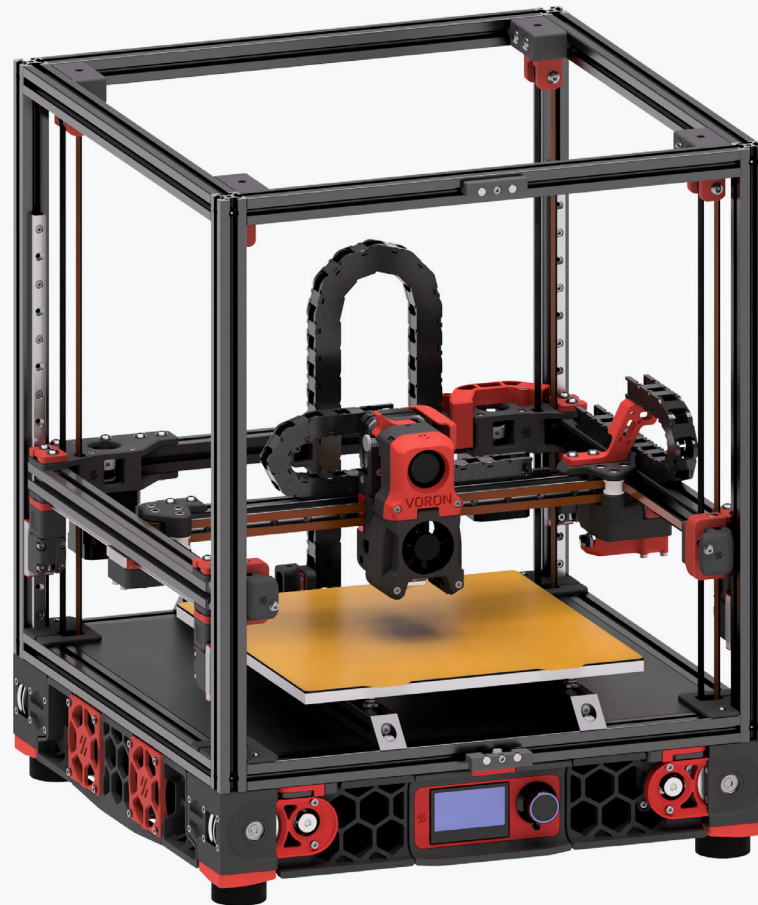
To Hotend

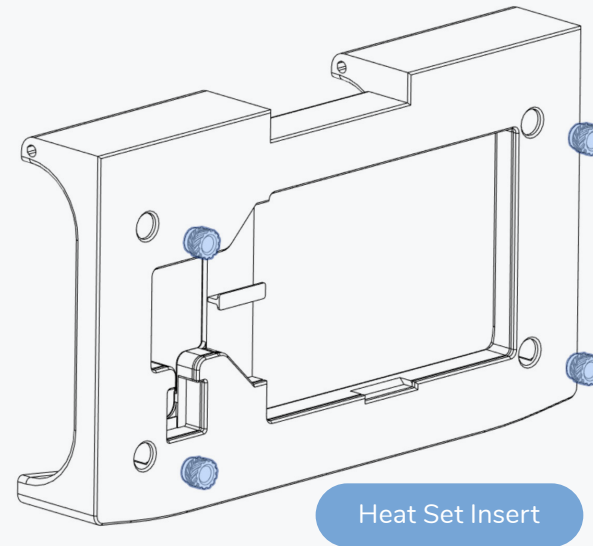
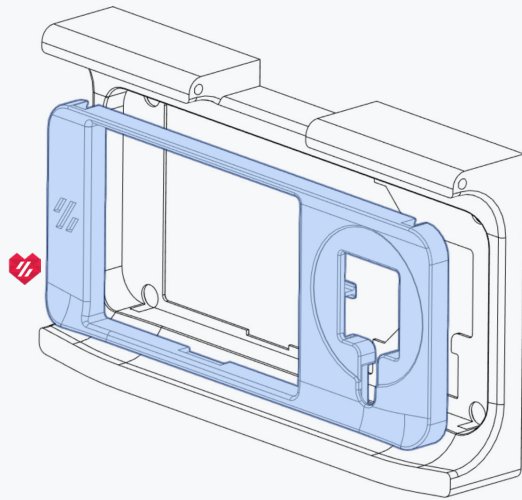
WHAT ABOUT THE OTHER FANS?

We'll add them once we get them installed. Enclosure and skirts are "optional" parts.

SKIRTS

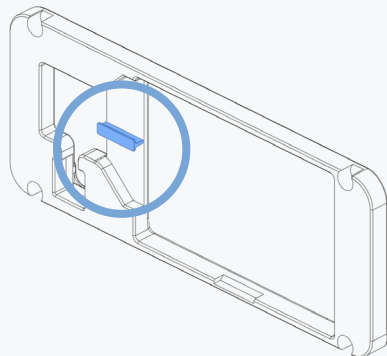
WWW.VORONDESIGN.COM





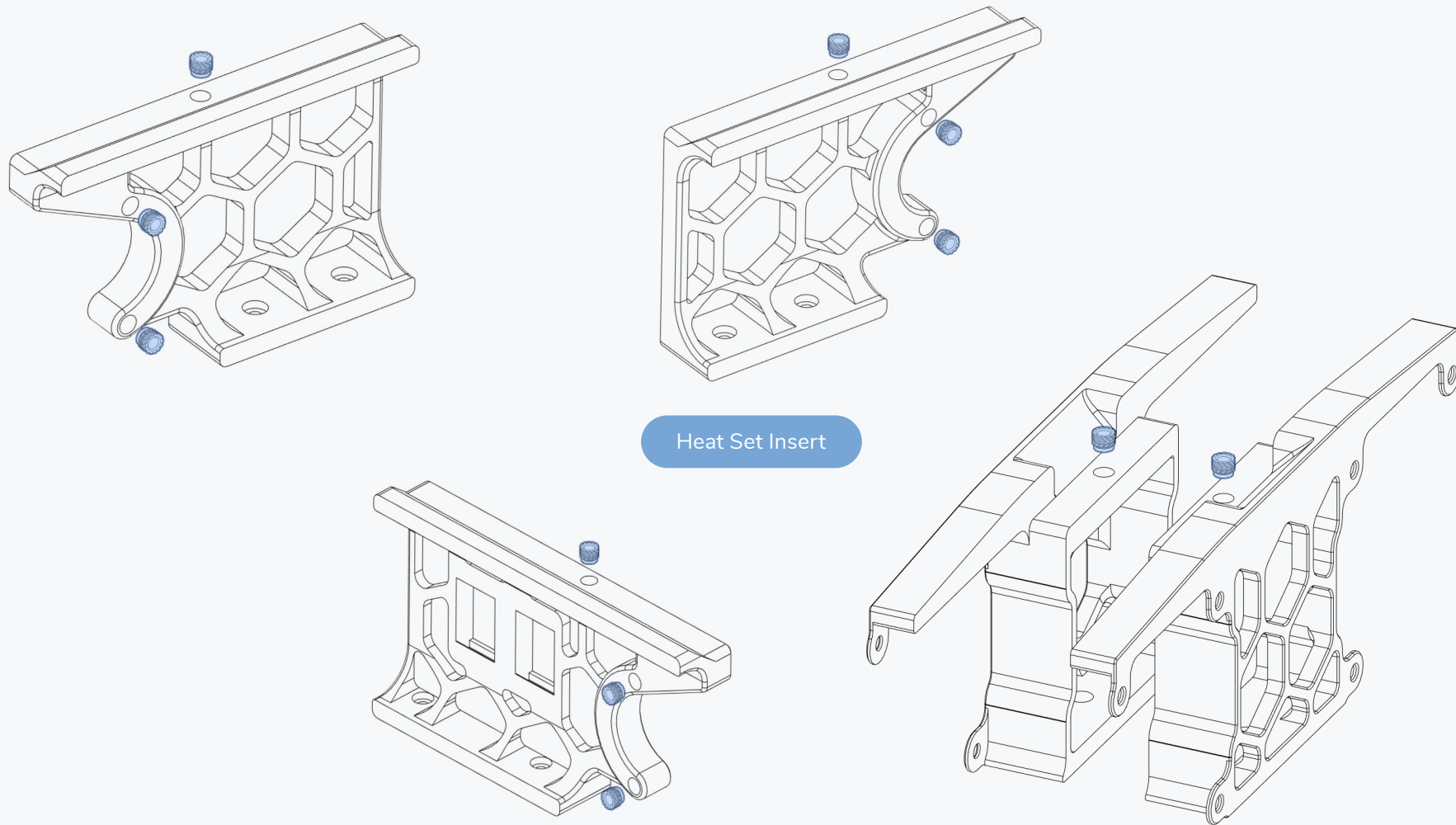
FRONT COVER

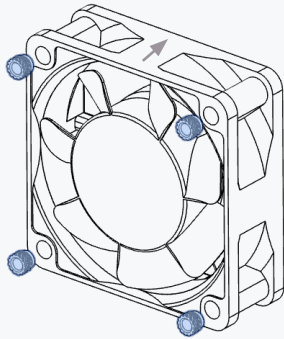
The front cover is held in place by the heat set inserts. Hold the front face firmly in place while inserting the heat set inserts.



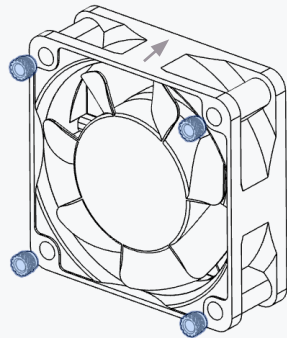
BUILT-IN SUPPORT

Remove the highlighted section. It's a built-in support for printability.

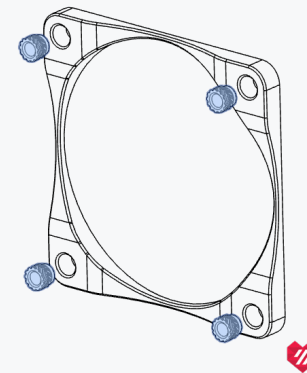
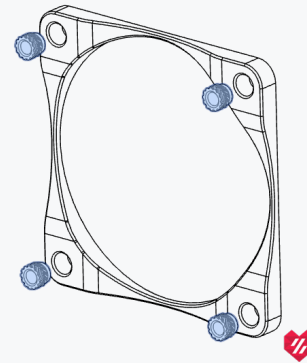


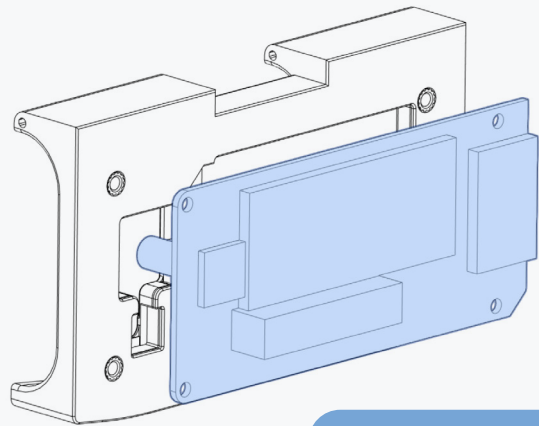


60x20 Fan

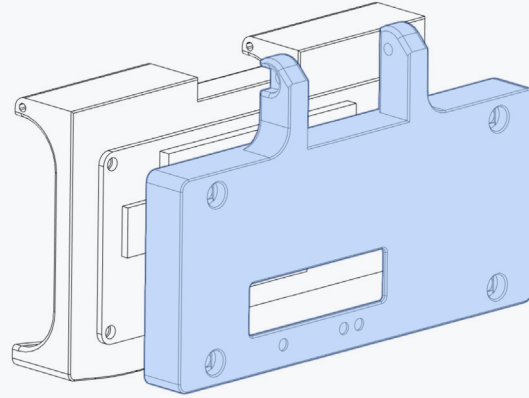


Heat Set Insert

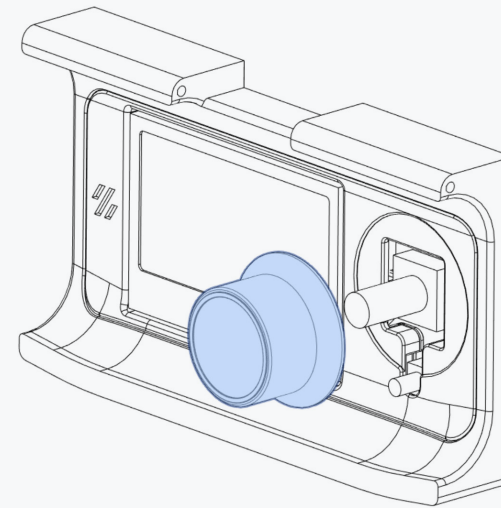
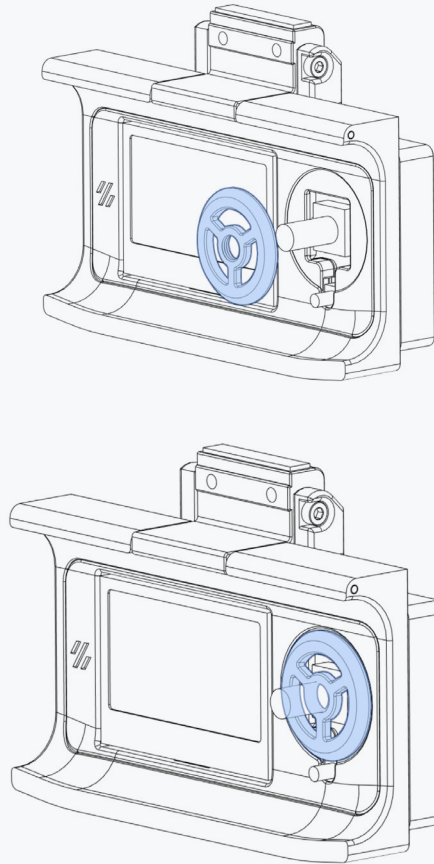




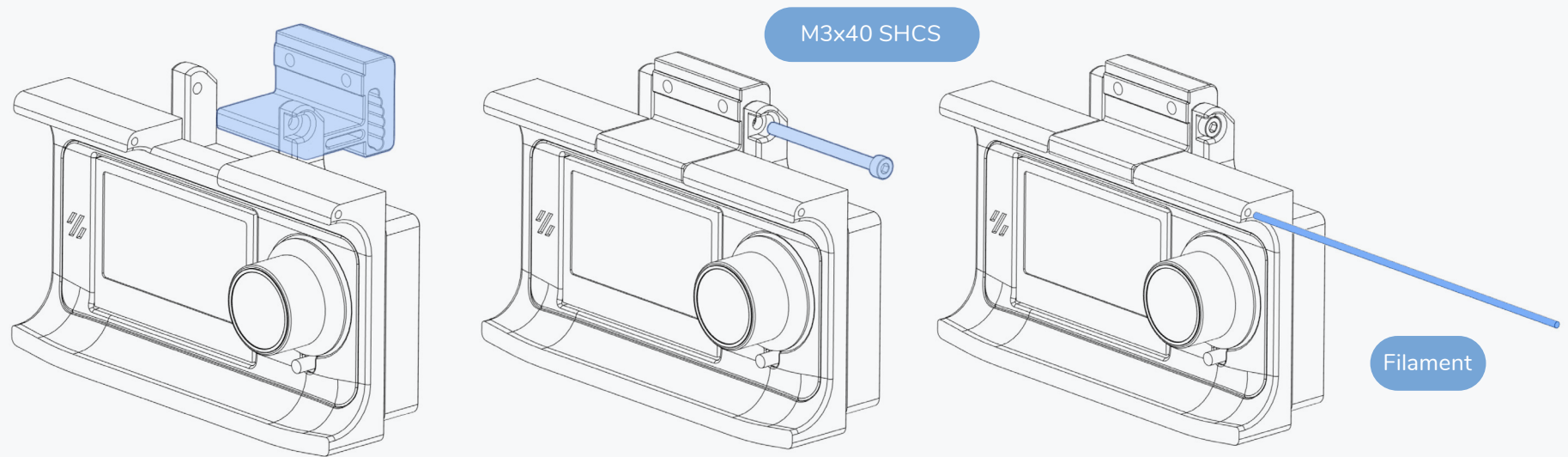
Mini 12864 Screen

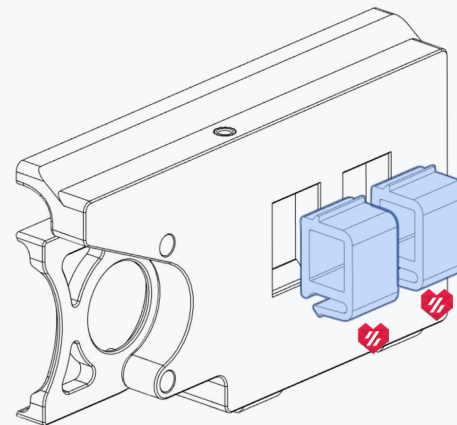
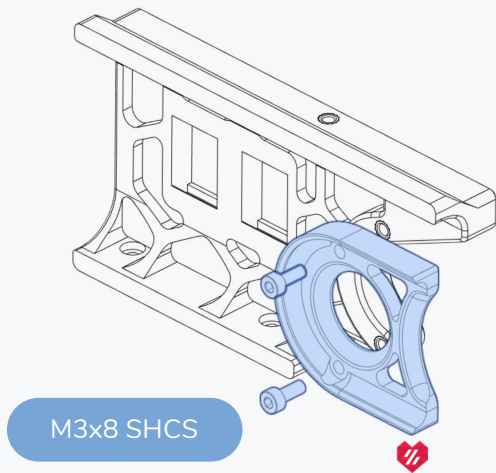
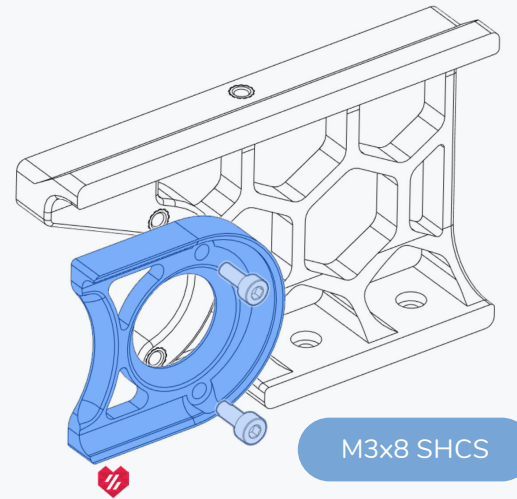
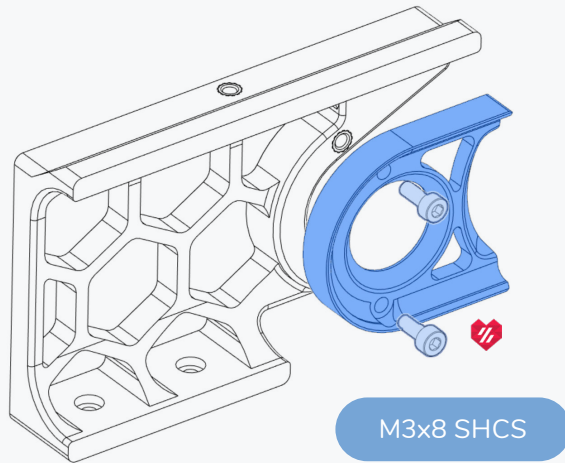


M3x12 SHCS

**OPTION: LIGHT BLOCKER**

Some LCDs come with a smaller encoder knob. This extra piece prevents excess light bleed. Threads onto the encoder before the knob is pressed on.

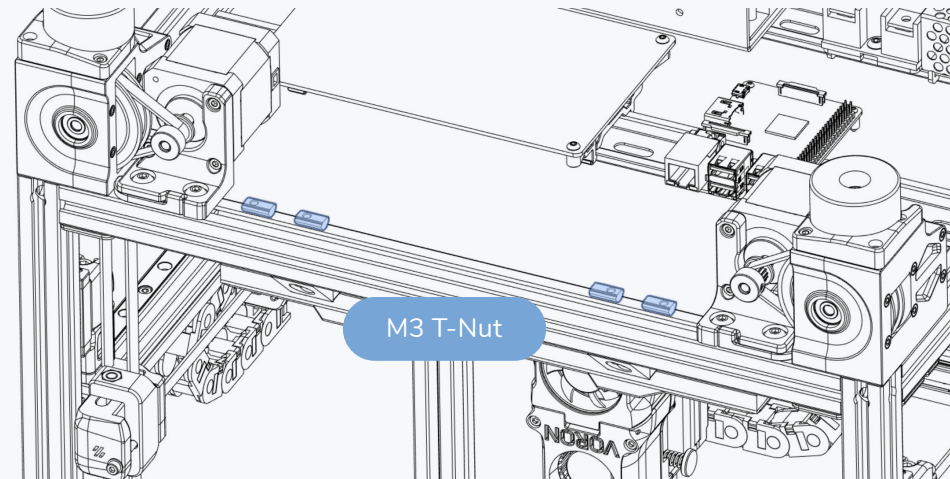
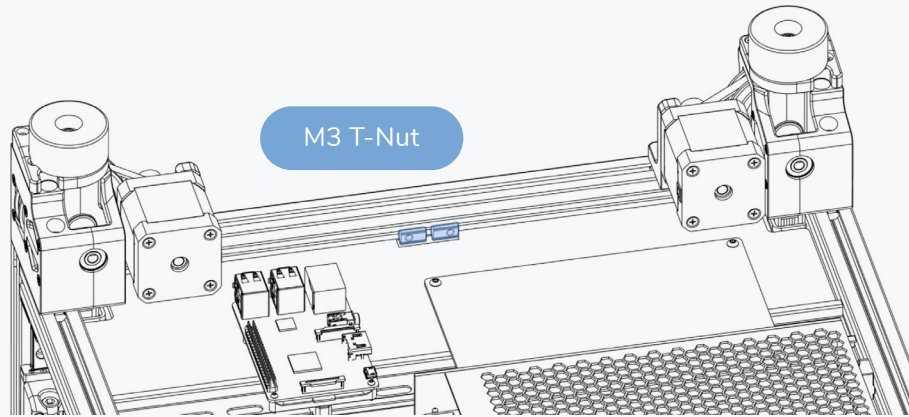




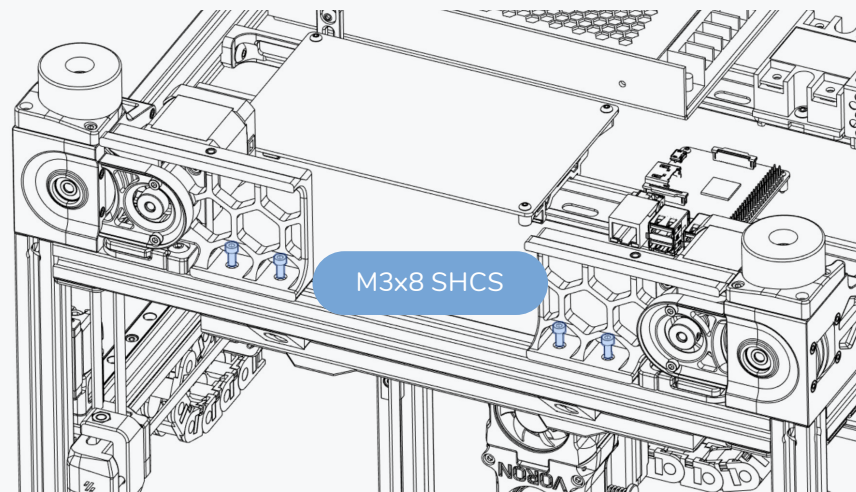
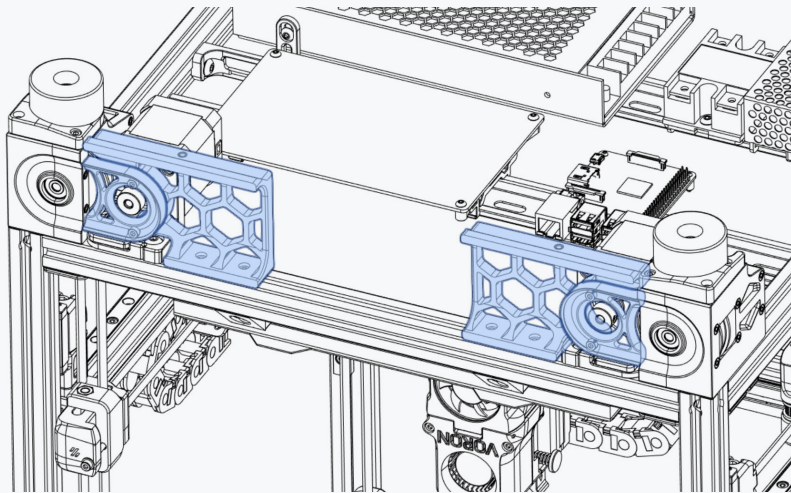
OPTION: KEYSTONE INSERTS

The picture is showing blanks for the keystone slots.

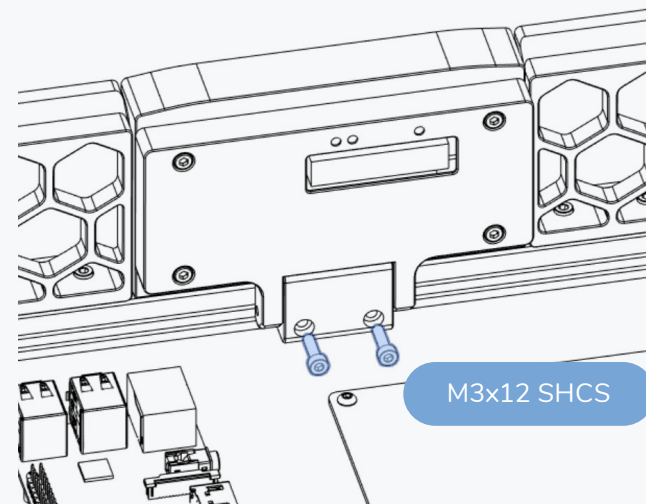
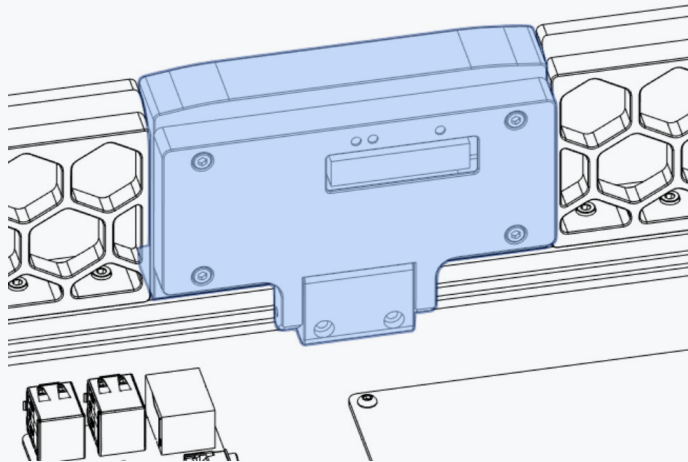
Alternatively you can add modules for USB or ethernet and expose ports of the Raspberry PI on the back of the printer.



SKIRTS

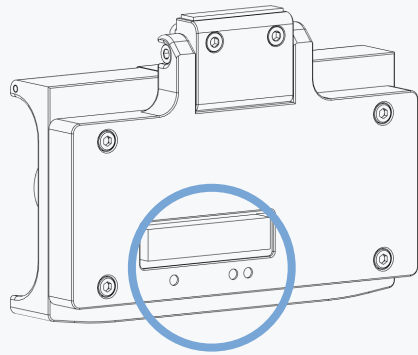


SKIRTS



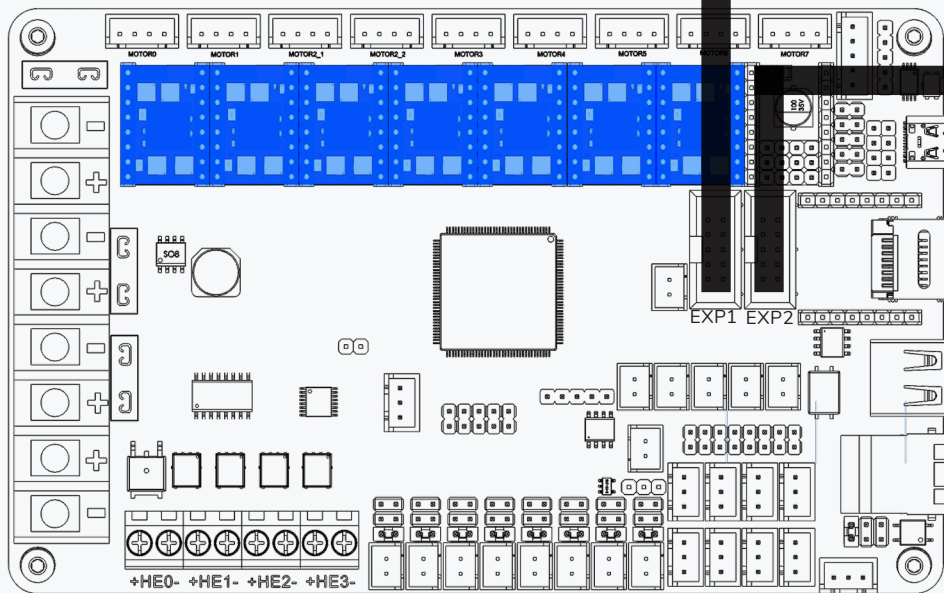
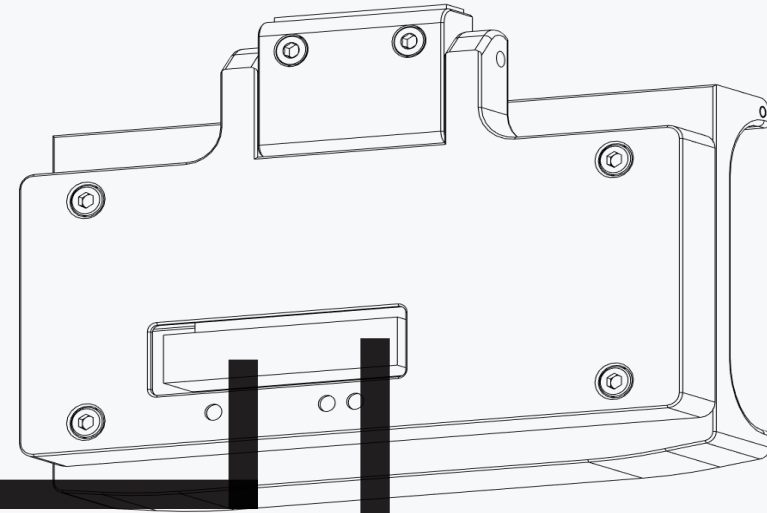
M3x12 SHCS

LCD HOOKUP

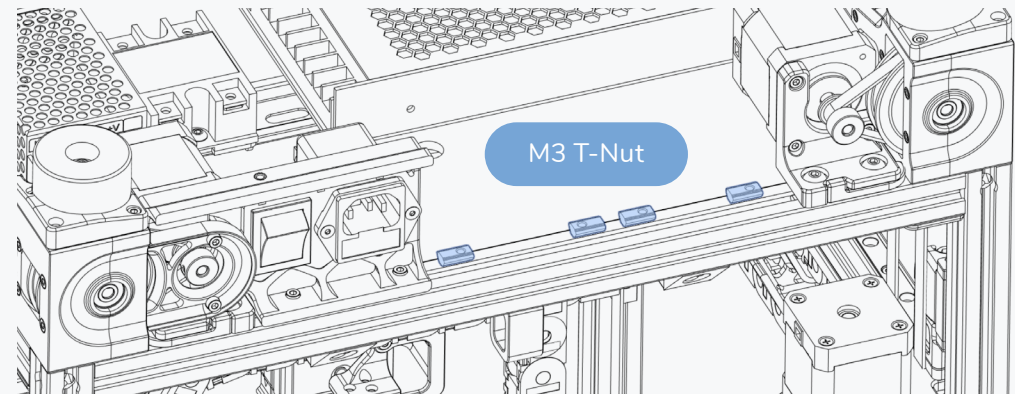
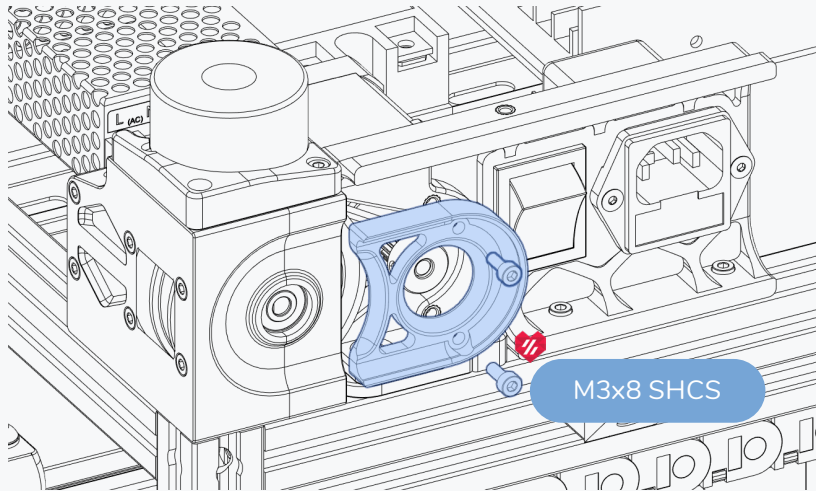


WHICH IS WHICH?

The socket with 1 dot below it is EXP1 and the socket with with 2 is EXP2.

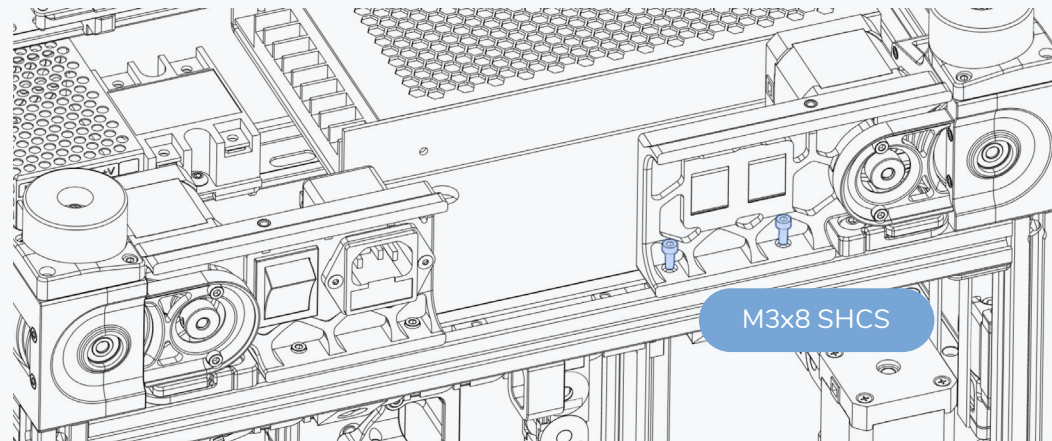
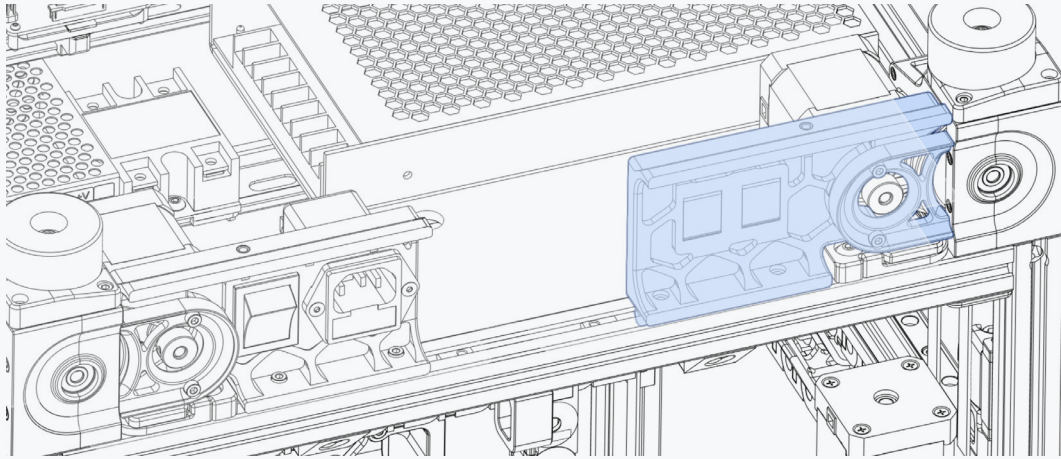


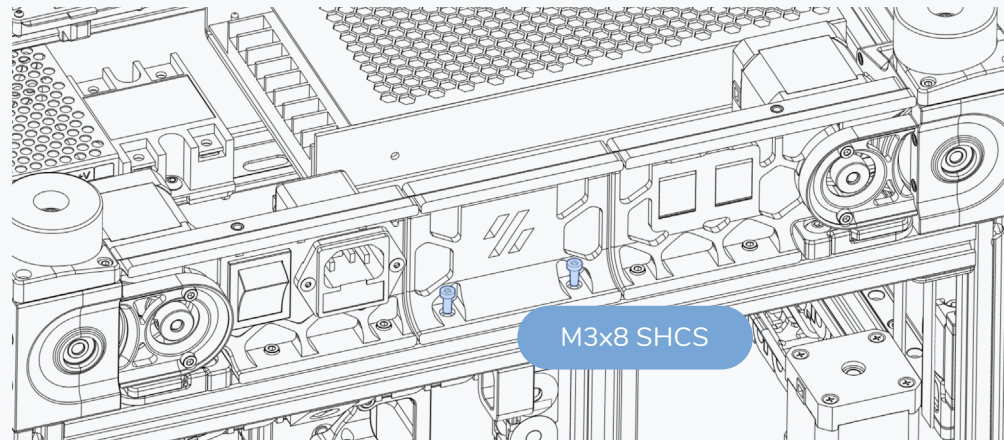
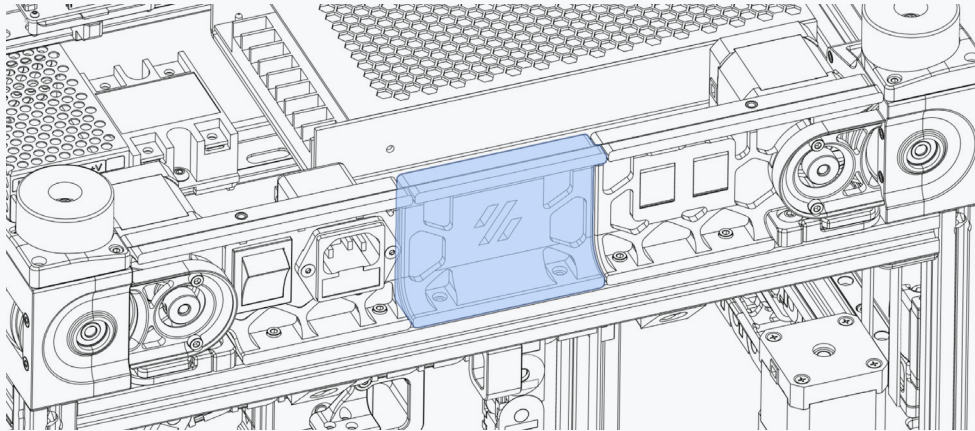
LCD
2x Flat Ribbon Cable

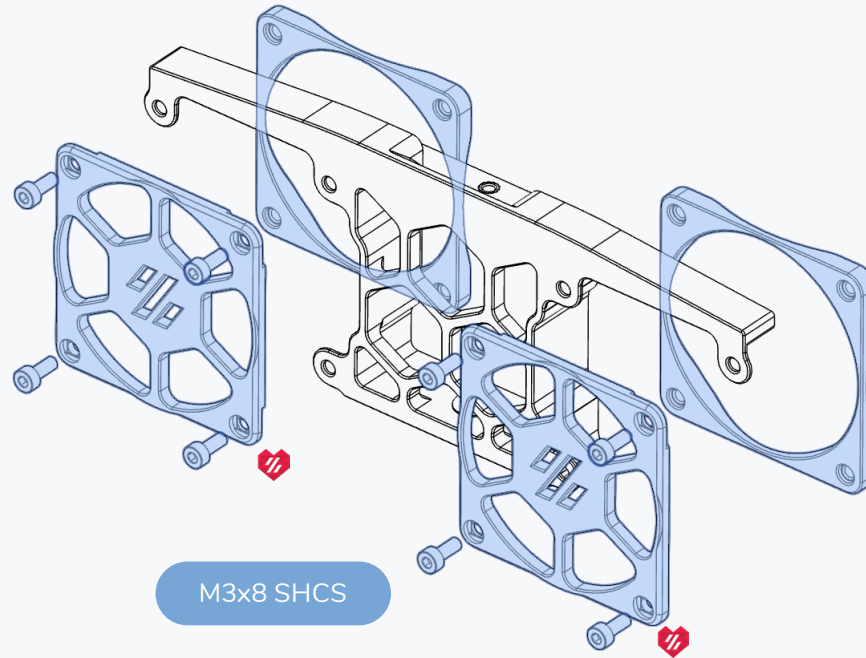


SKIRTS

WWW.VORONDESIGN.COM

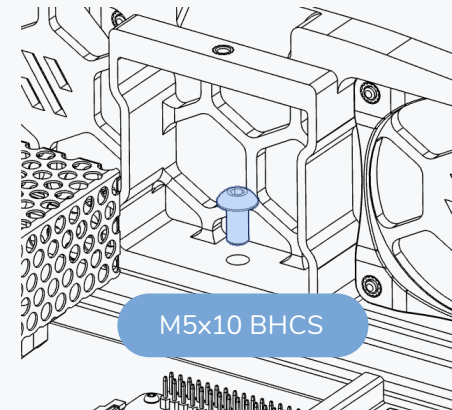
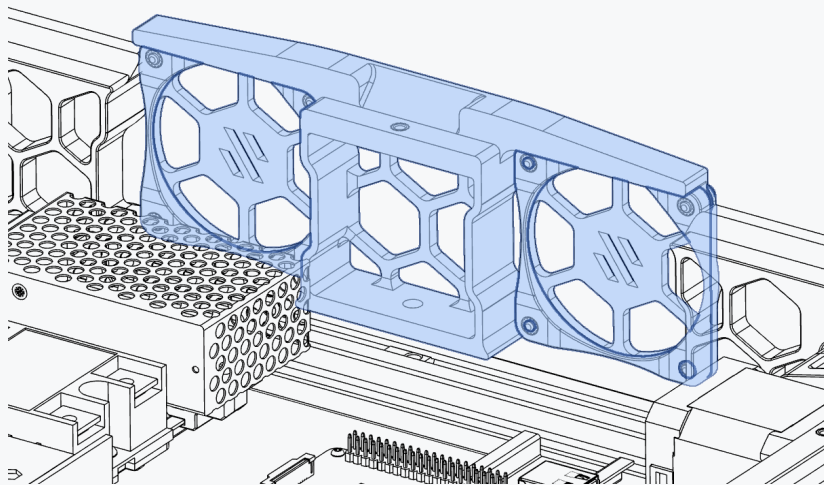
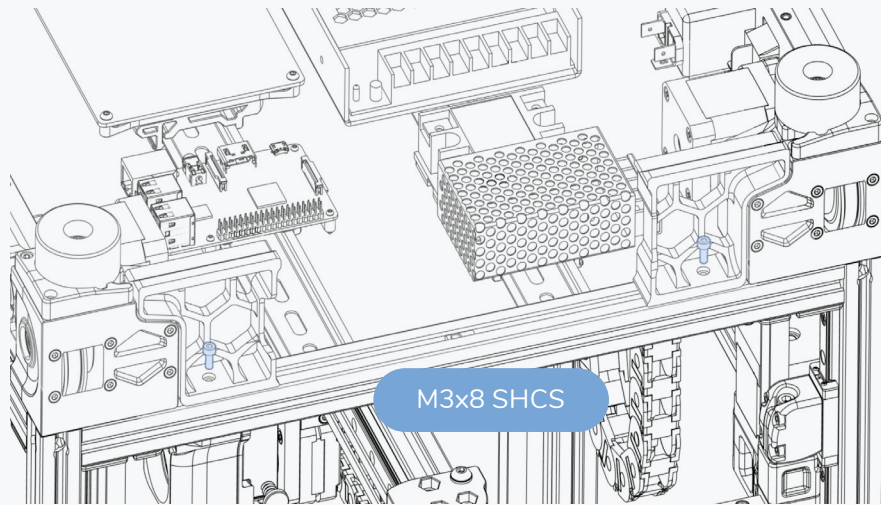


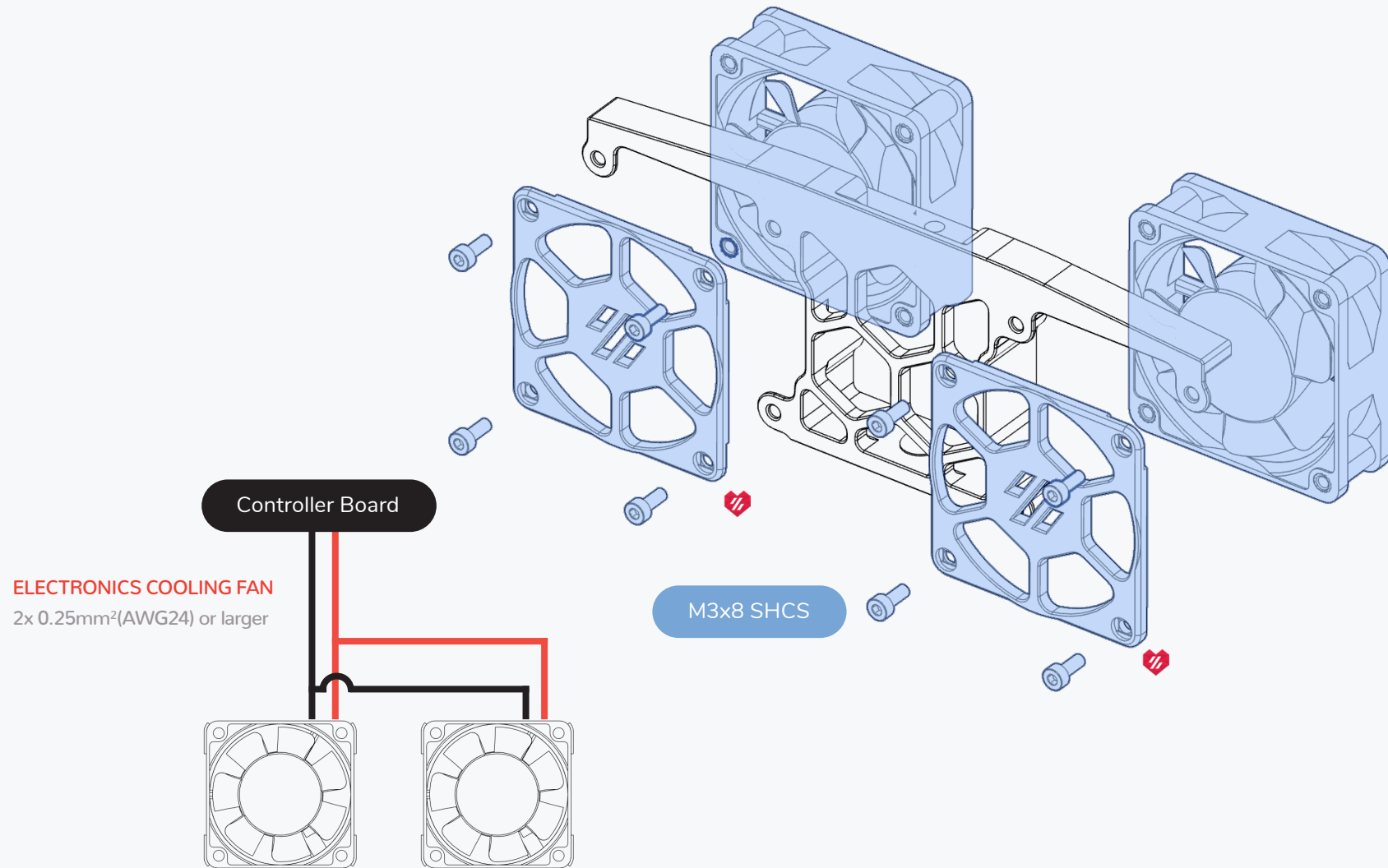


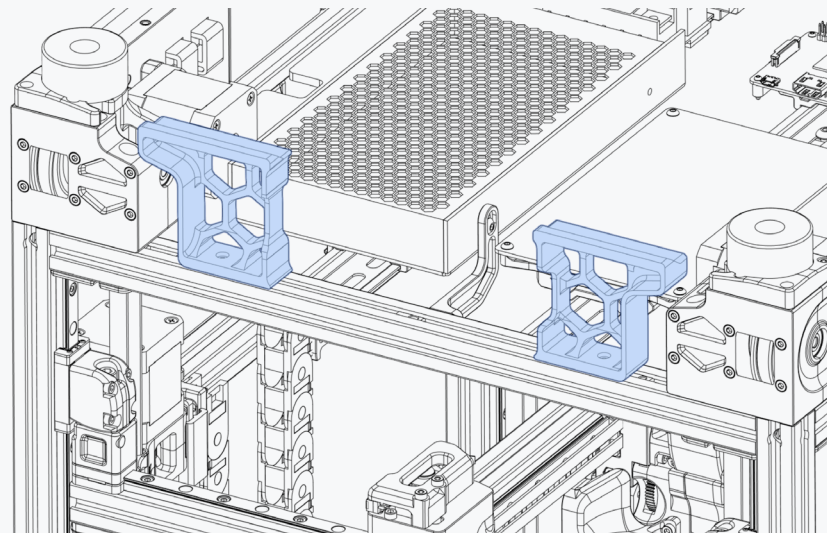
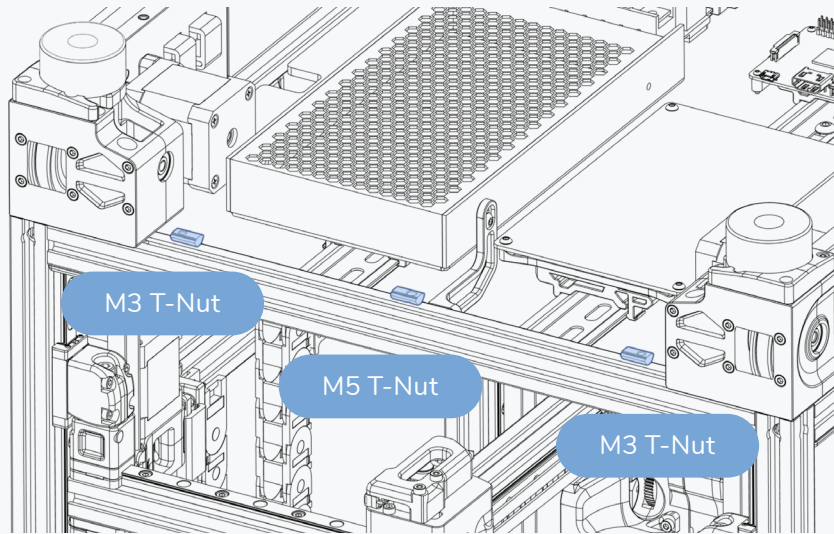


SKIRTS

WWW.VORONDESIGN.COM

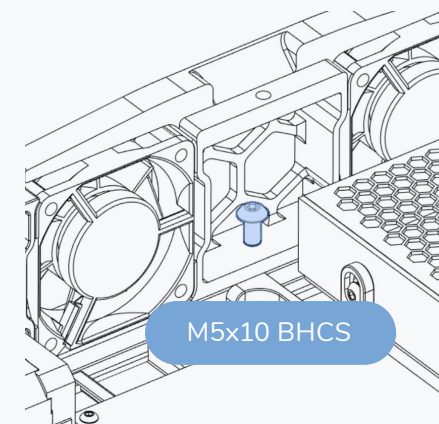
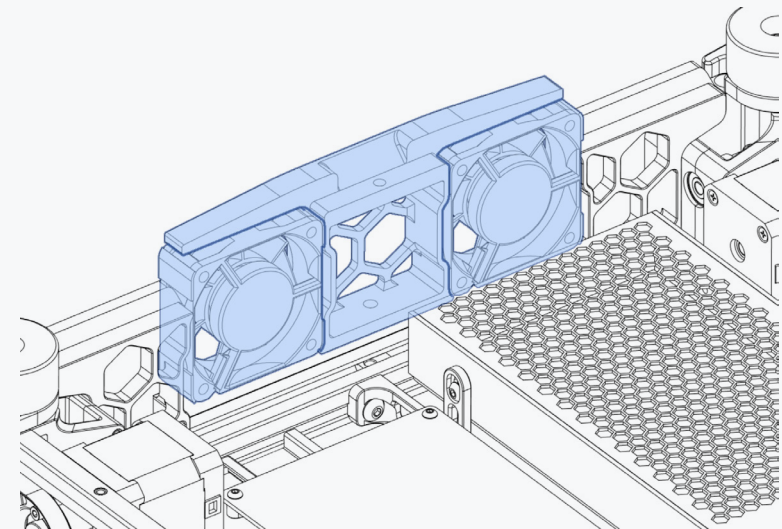
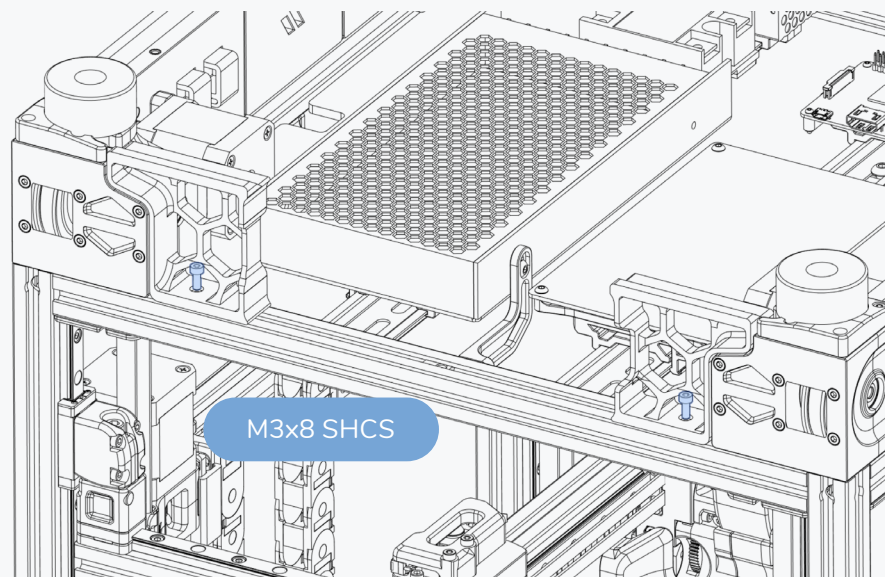


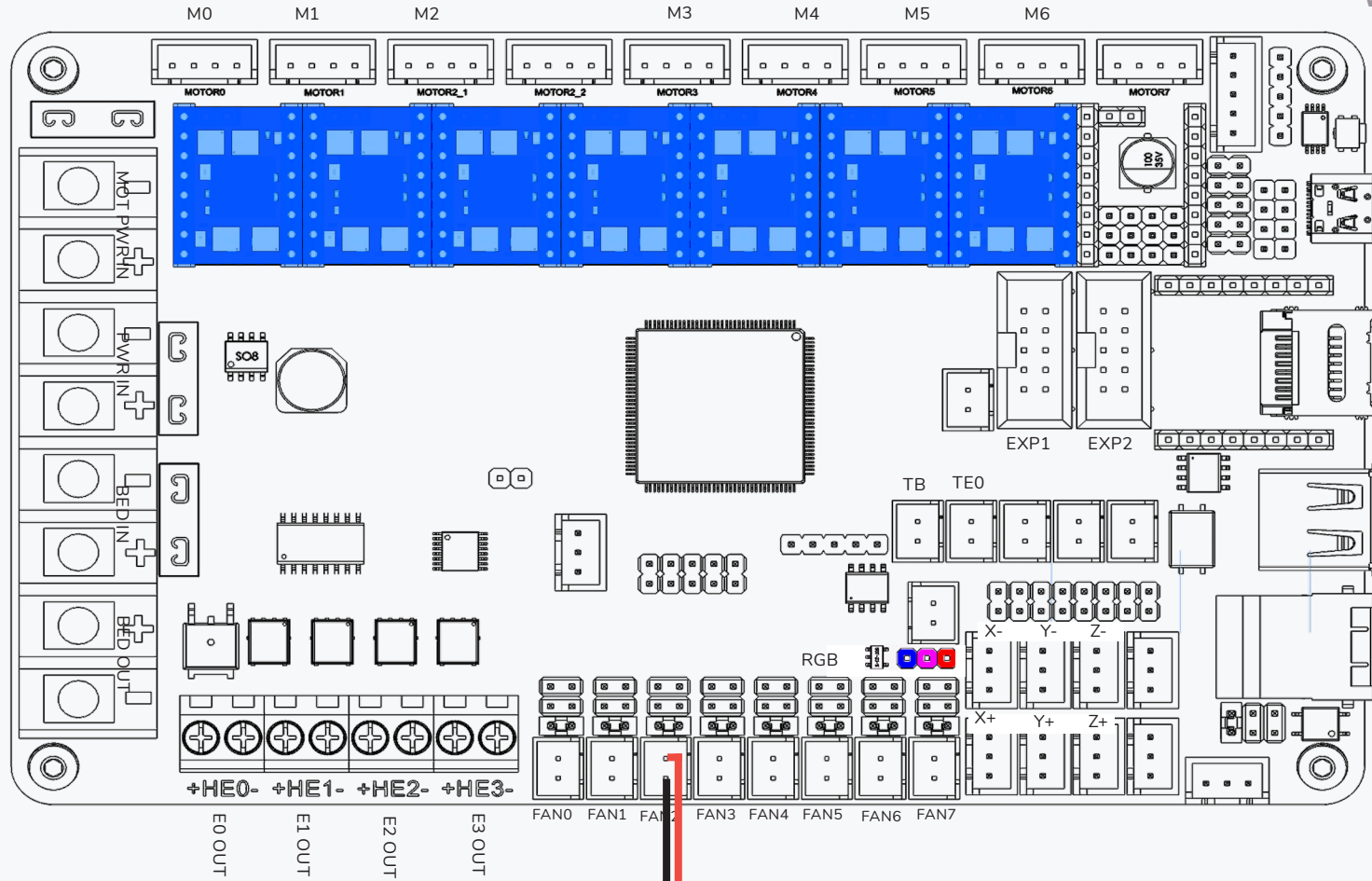




SKIRTS

WWW.VORONDESIGN.COM





CONTROLLER FANS (60X60X20 AXIAL) [FAN2]

2x 0.25mm²(AWG24) or larger

Bottom Electronics Case

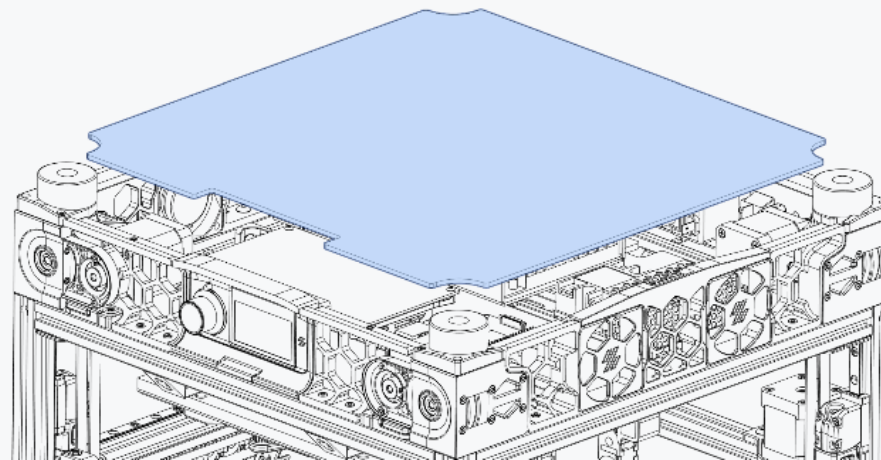
BOTTOM PANEL

WWW.VORONDESIGN.COM

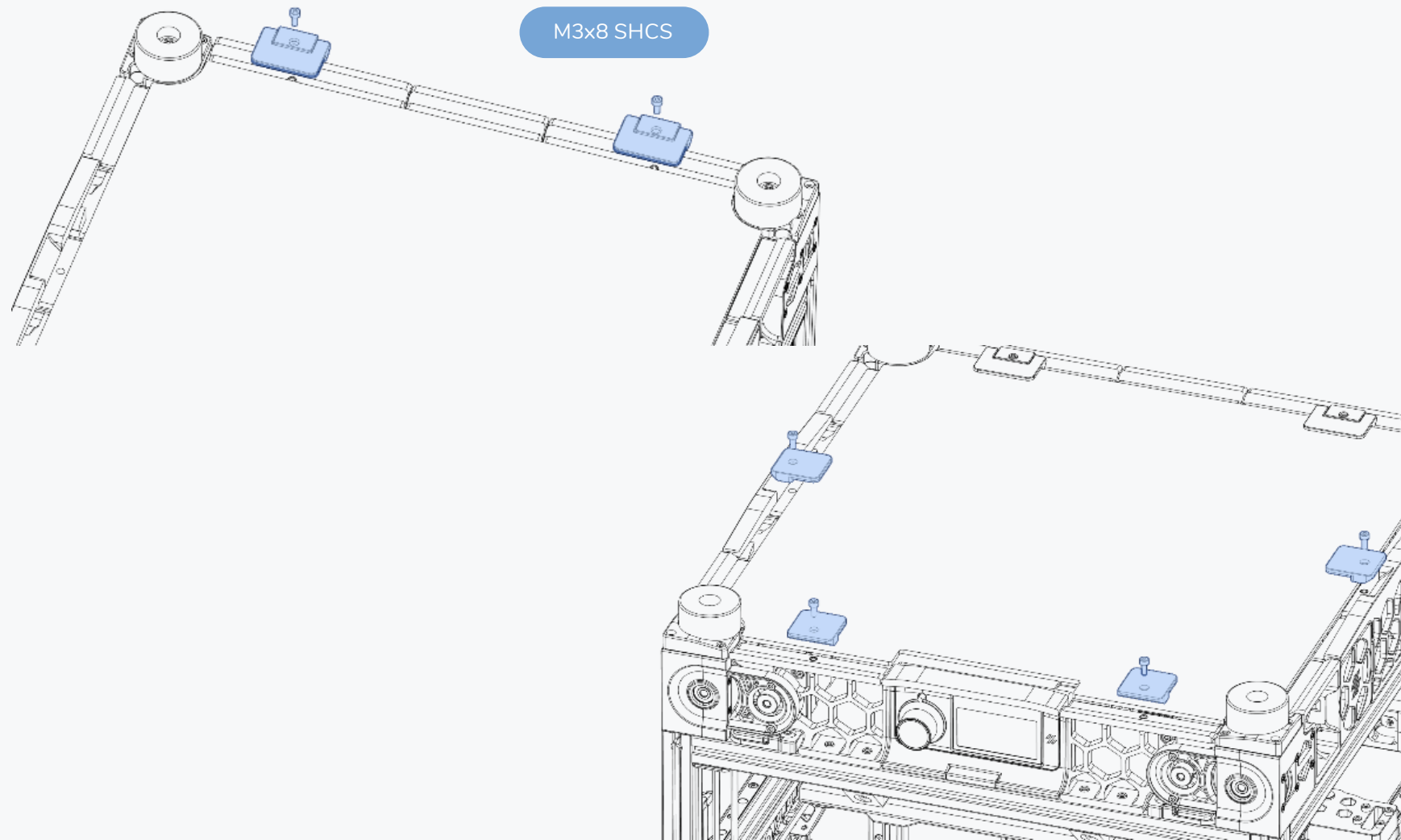


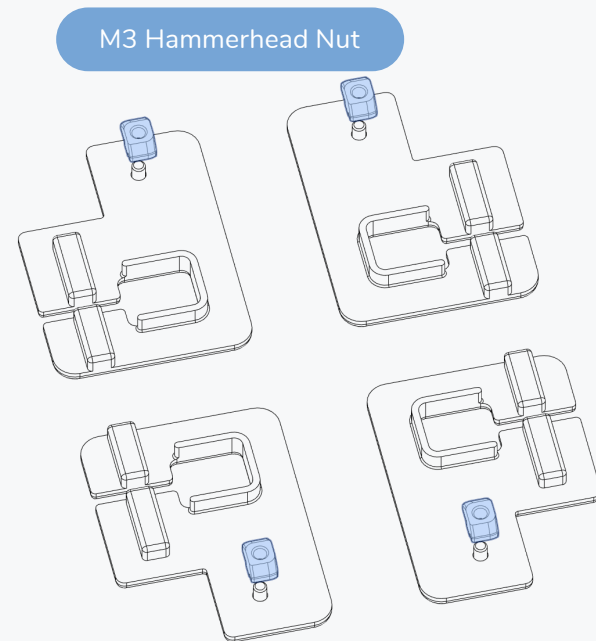
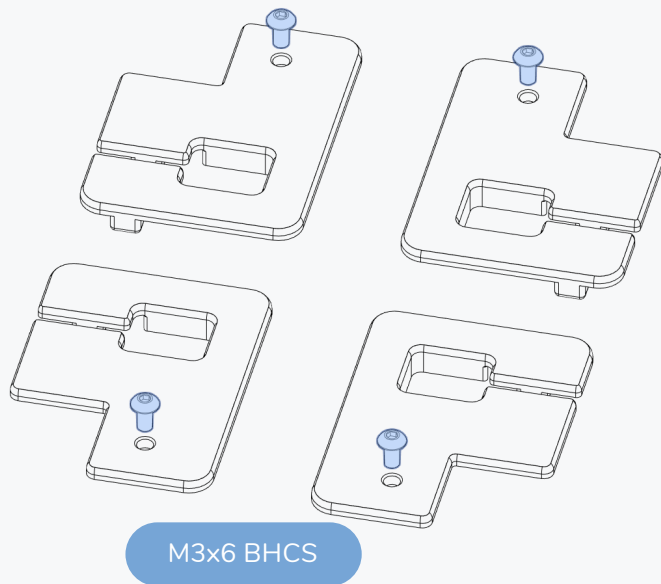
APPLY VHB TAPE

VHB Tape is a double sided adhesive tape.



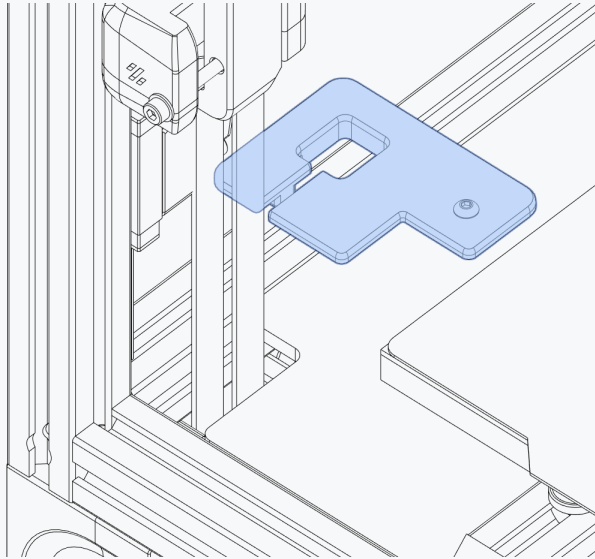
BOTTOM PANEL





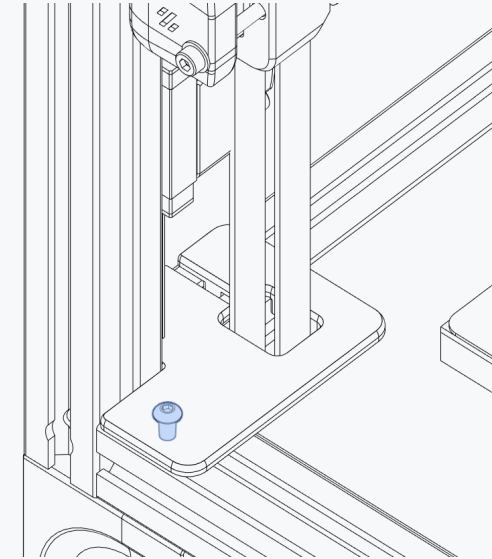
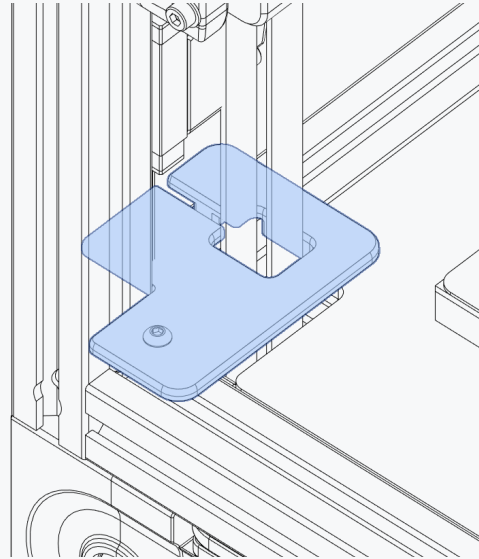
Z BELT COVERS

WWW.VORONDESIGN.COM



PINCH BELT

Pinch the Z belt loop flat and slide the cover in place.



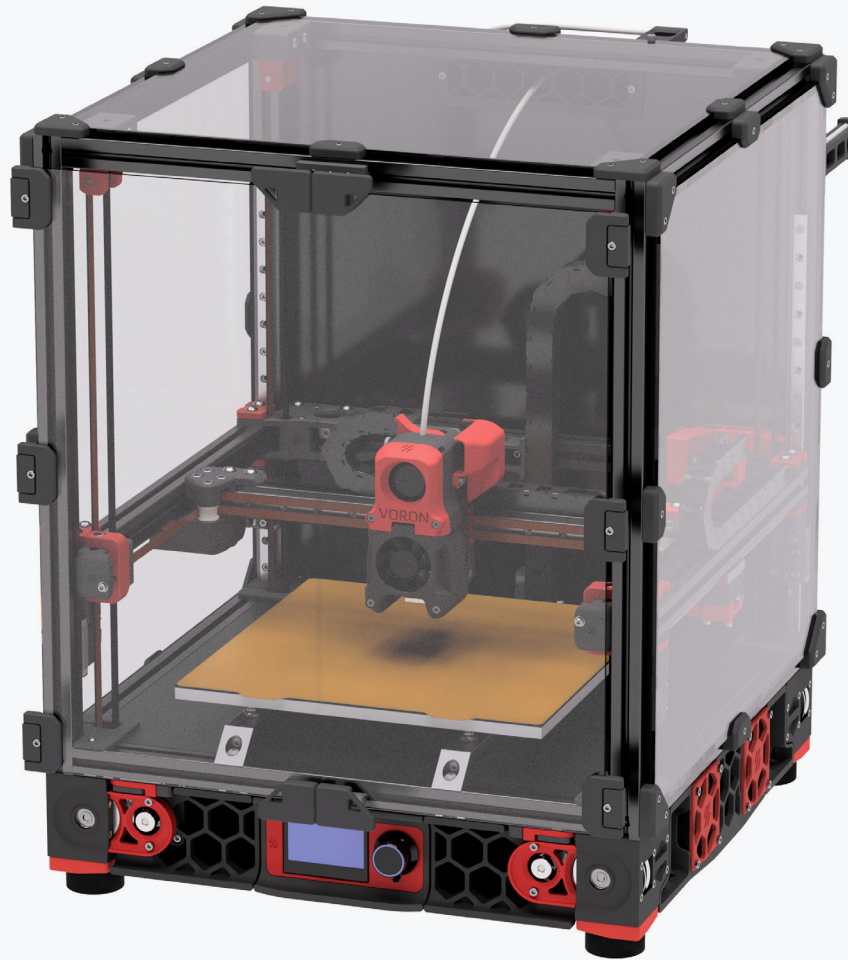
TURN TO FASTEN

The hammerhead nut will rotate and lock into place when you fasten the screw. At least that's the theory.

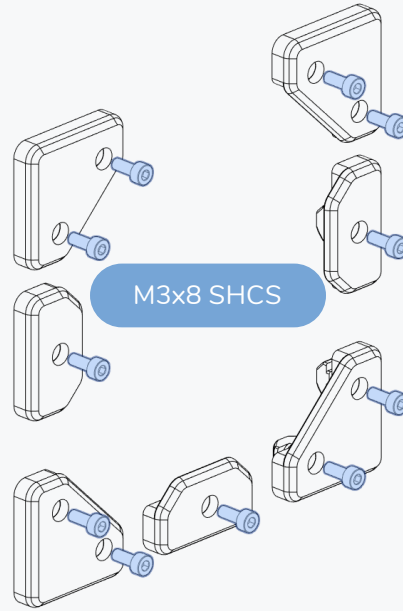
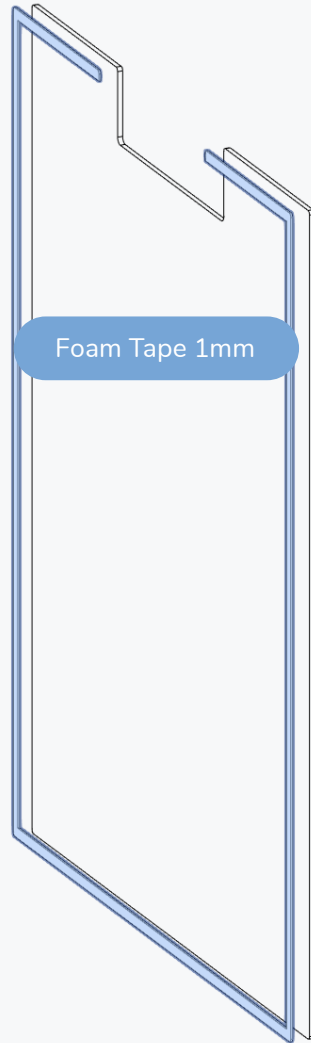
Voron2.4 was released on May 13 2020. Between the releases of 2.4 and 2.4R2 over 2500 Voron2 printers have been build and serialized.

PANELS

WWW.VORONDESIGN.COM



BACK PANEL

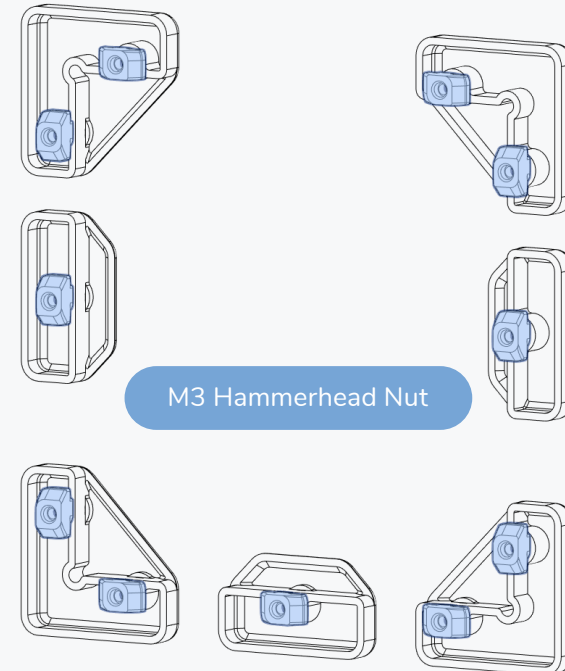


APPLY FOAM TAPE

Use foam tape on the contact areas between the panels and the frame to mitigate noise from vibrations.

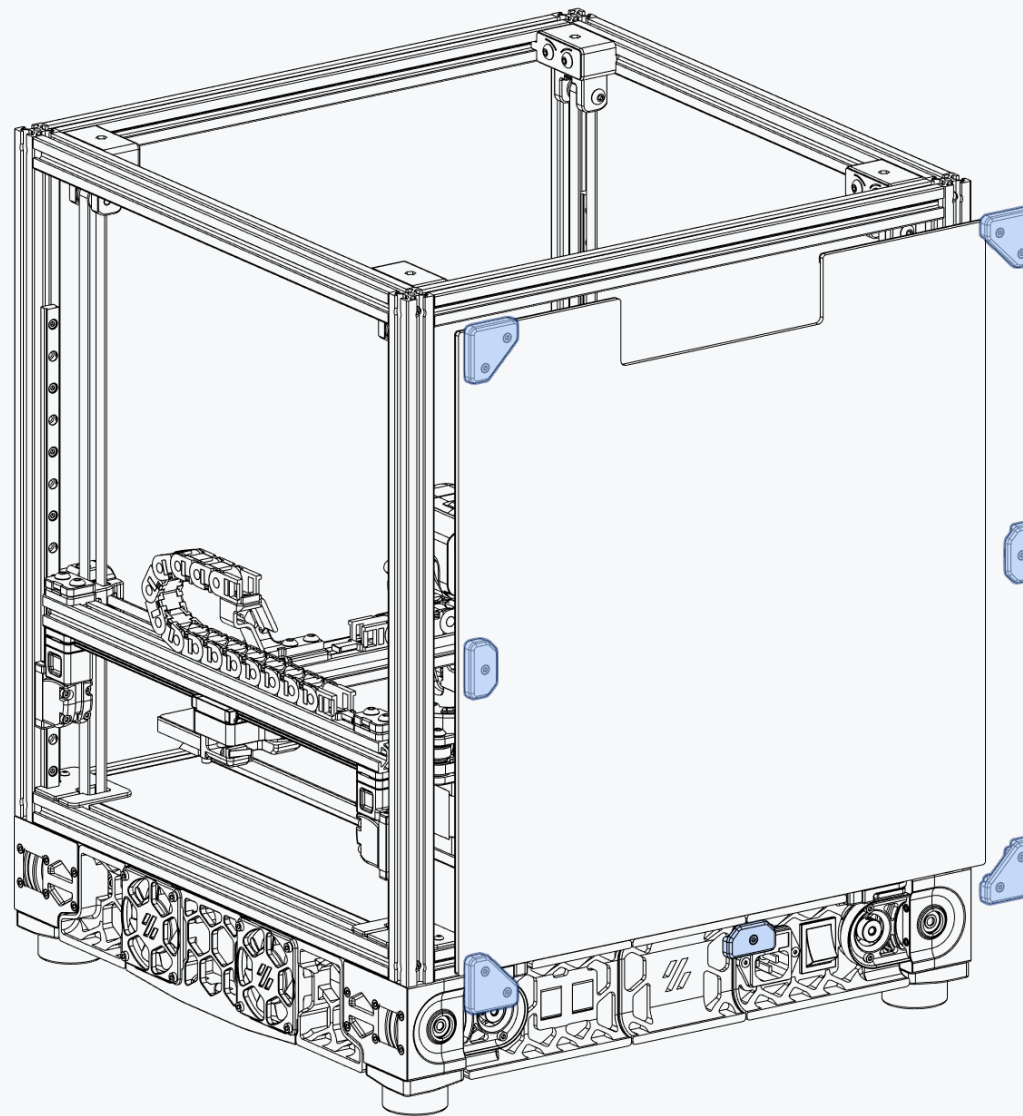
HAMMERHEAD NUTS?

A drop of thread locker will turn the hammerhead nuts into a 1/4 turn quick release for the panels. Best done once the assembly is finished.



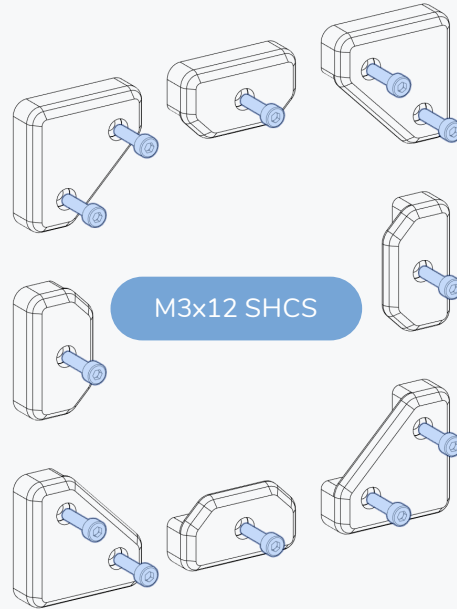
BACK PANEL

WWW.VORONDESIGN.COM



SIDE PANELS

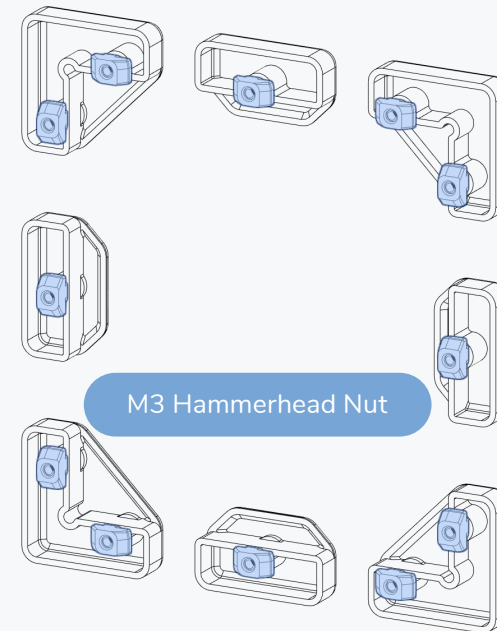
WWW.VORONDESIGN.COM



APPLY 3MM FOAM TAPE

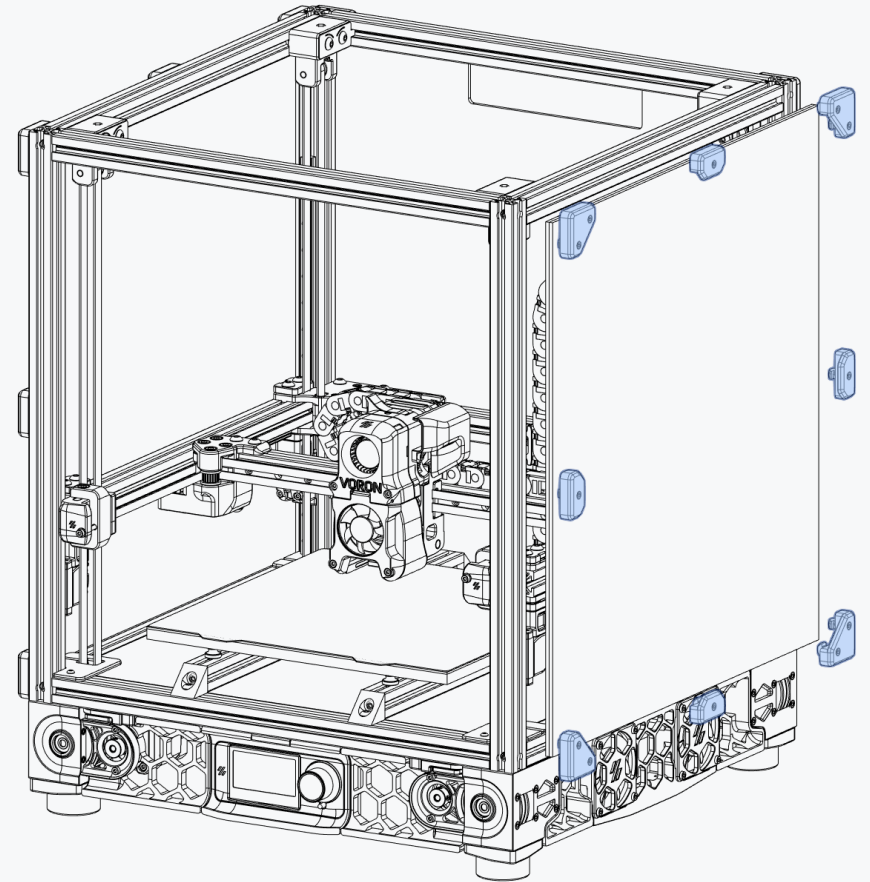
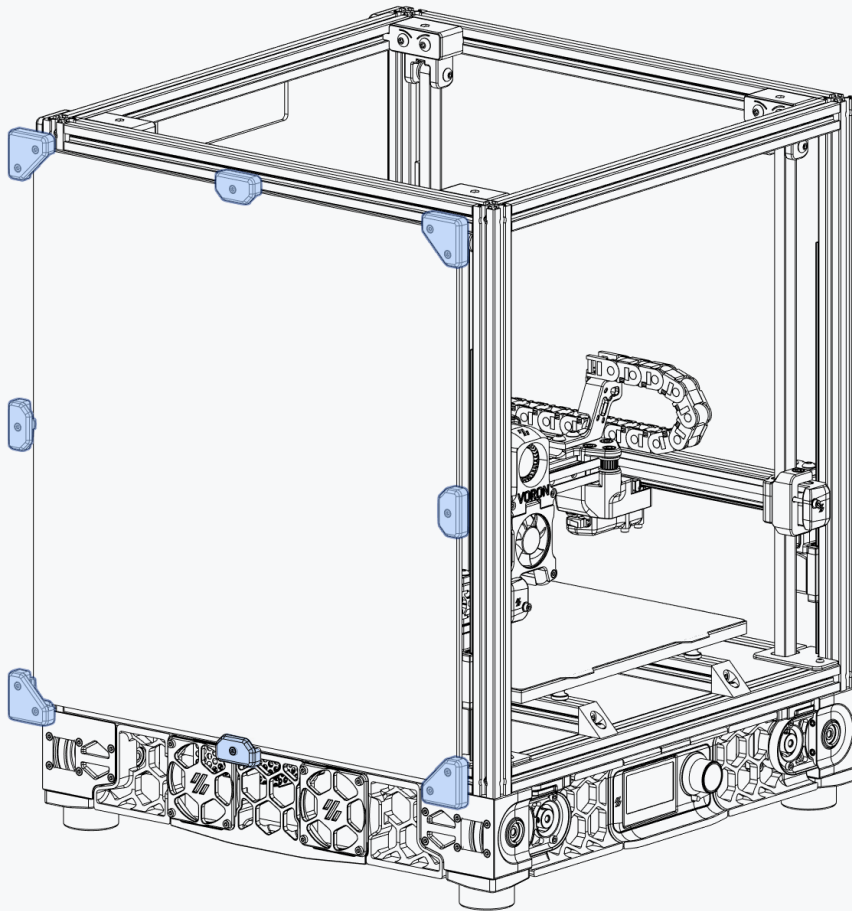
Use foam tape on the contact areas between the panels and the frame to mitigate noise from vibrations.

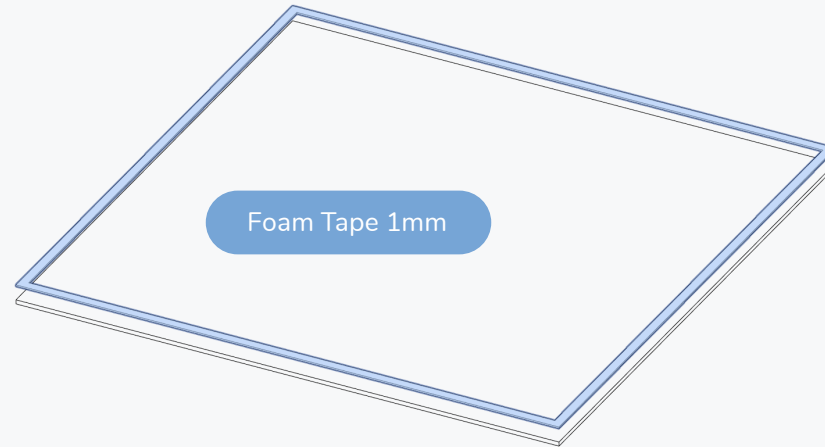
The 3mm foam tape is used on the side panels to prevent the gantry from rubbing on the panels.



SIDE PANELS

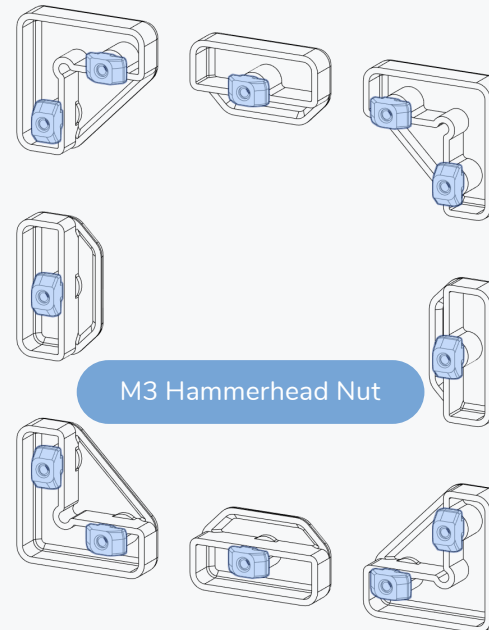
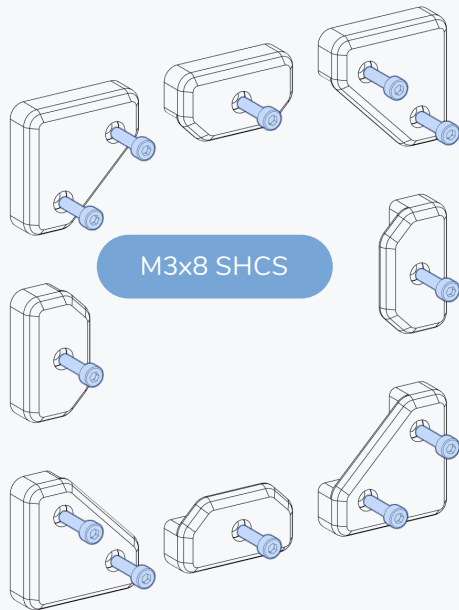
WWW.VORONDESIGN.COM





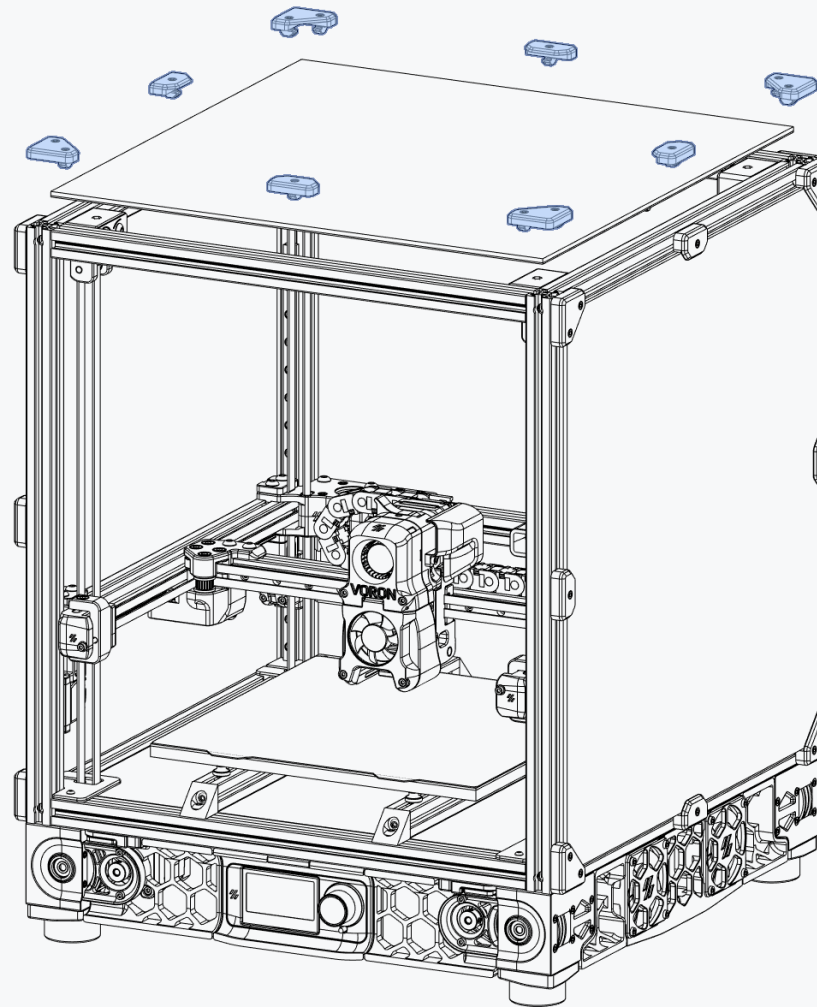
APPLY FOAM TAPE

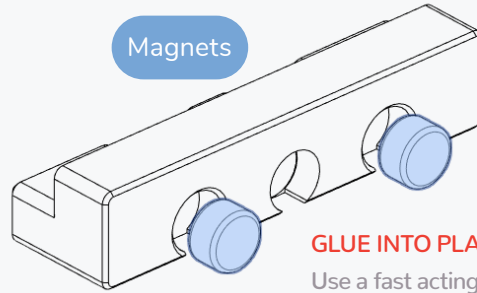
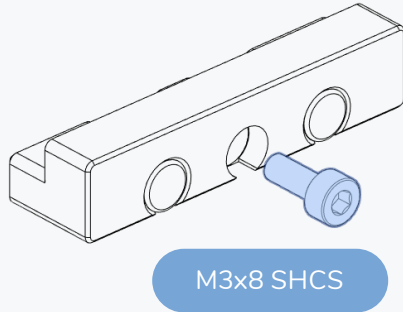
Use foam tape on the contact areas between the panels and the frame to mitigate noise from vibrations.



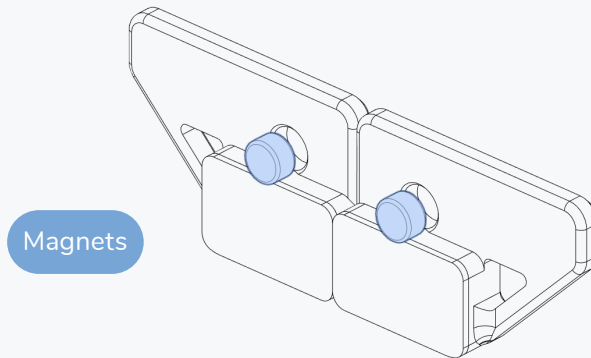
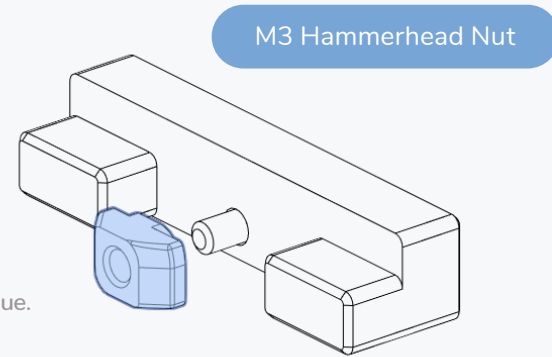
TOP PANEL

WWW.VORONDESIGN.COM

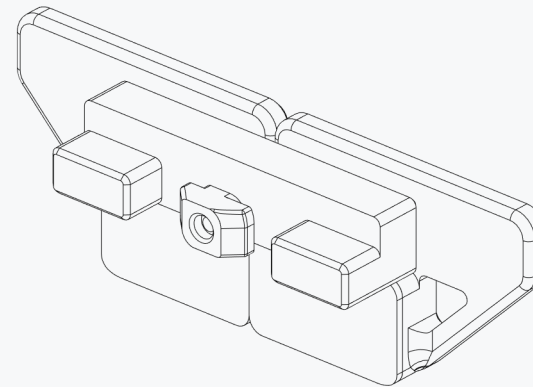


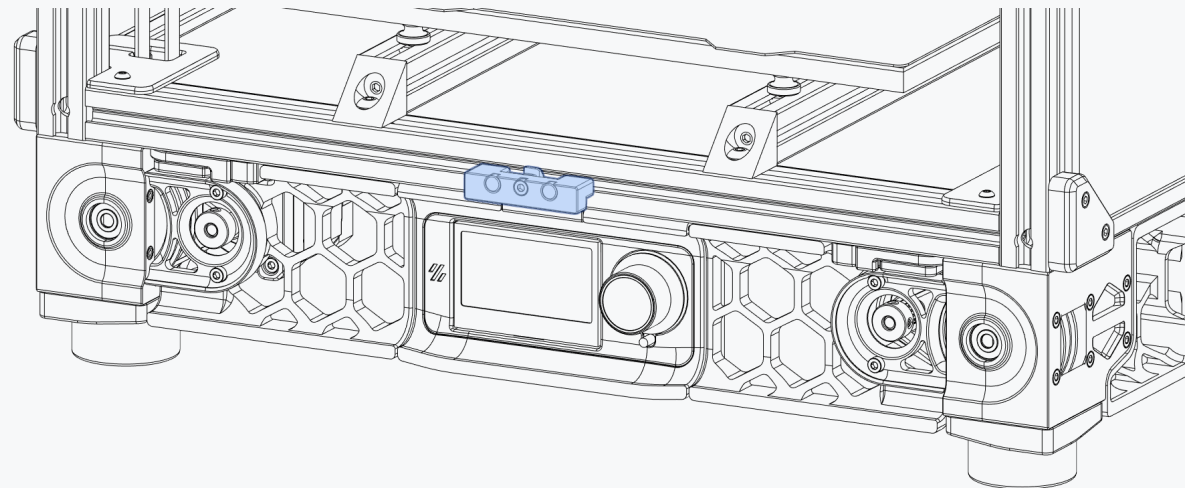
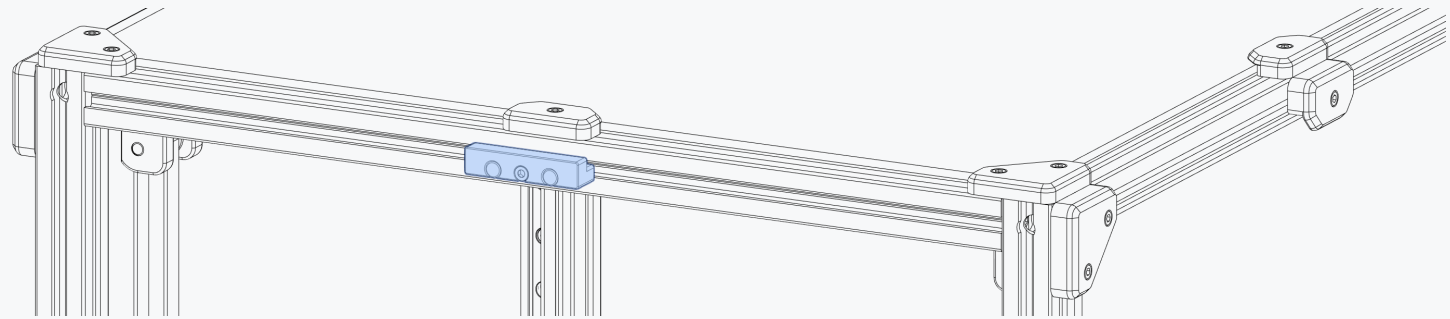


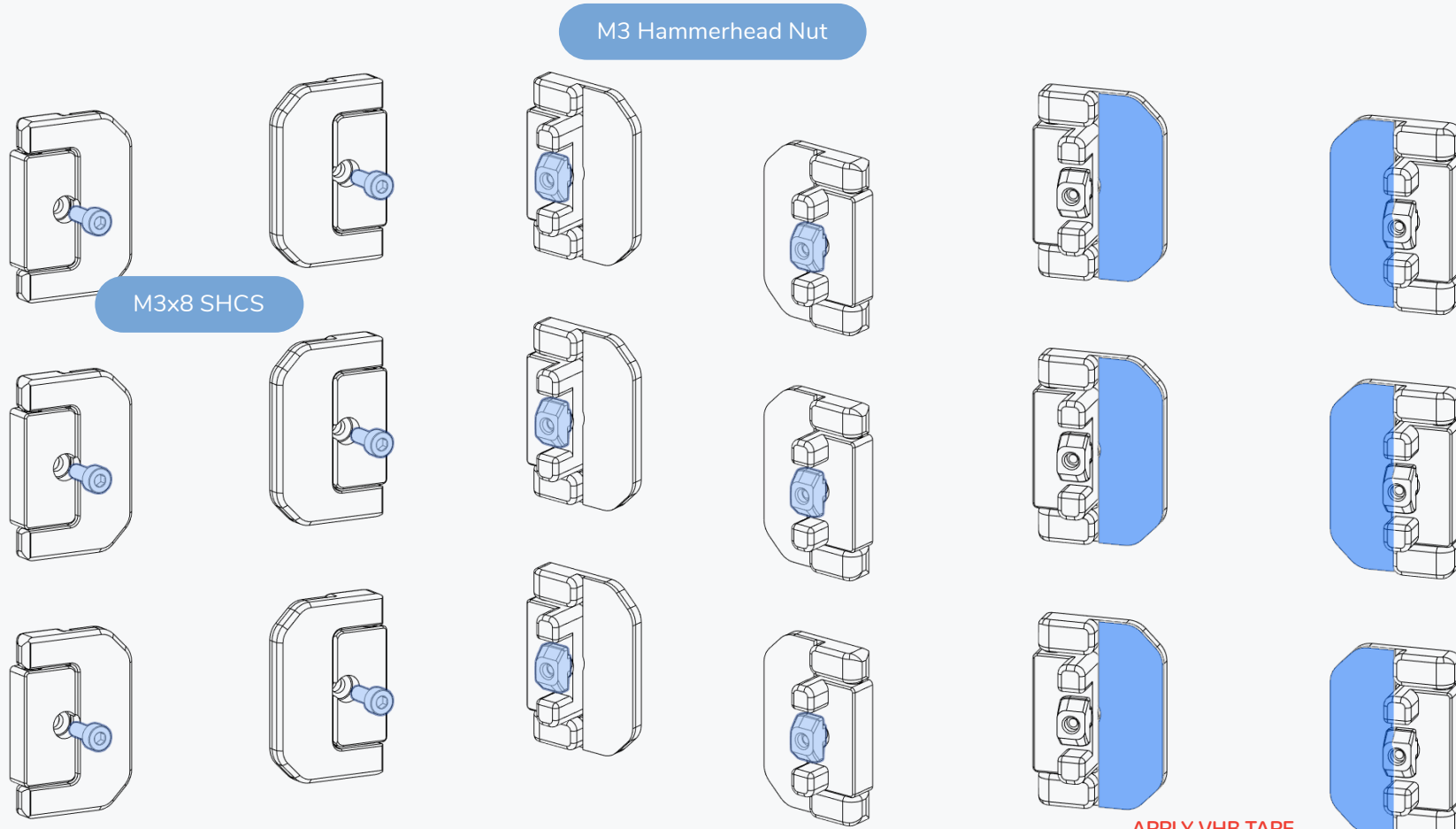
GLUE INTO PLACE
Use a fast acting glue like super-glue.



MIND THE MAGNET POLARITY
Ensure that the magnets are facing in the right direction prior to gluing them into place.



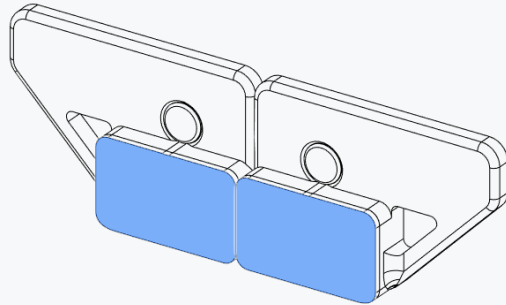




M3x8 SHCS

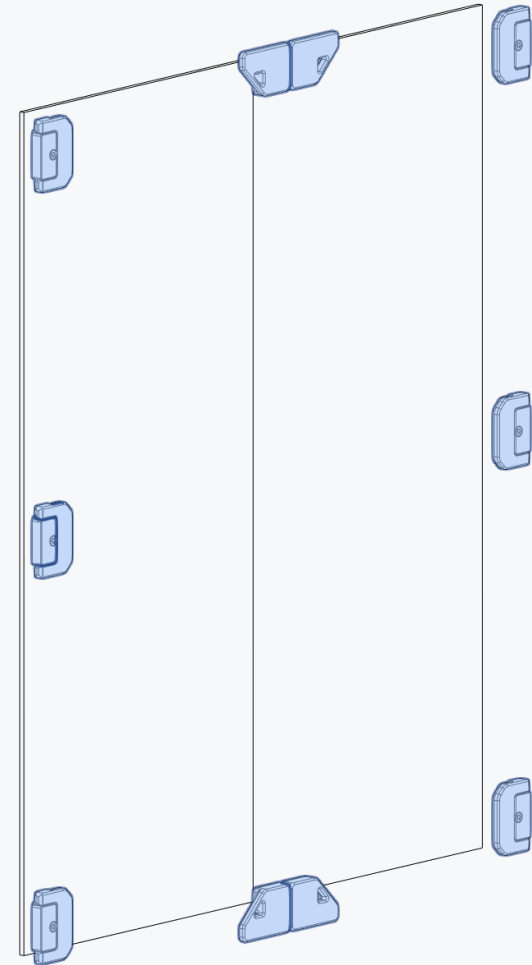
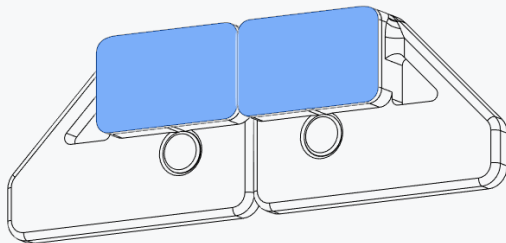
M3 Hammerhead Nut

APPLY VHB TAPE
VHB Tape is a double sided adhesive tape.



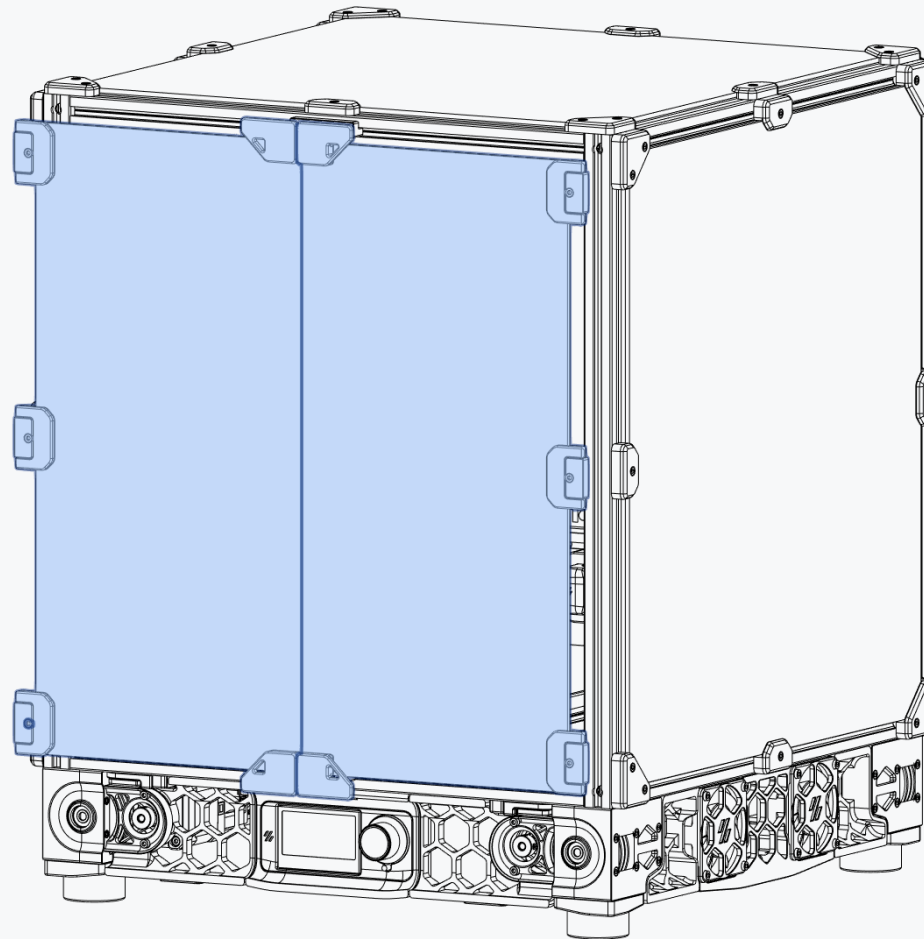
APPLY VHB TAPE

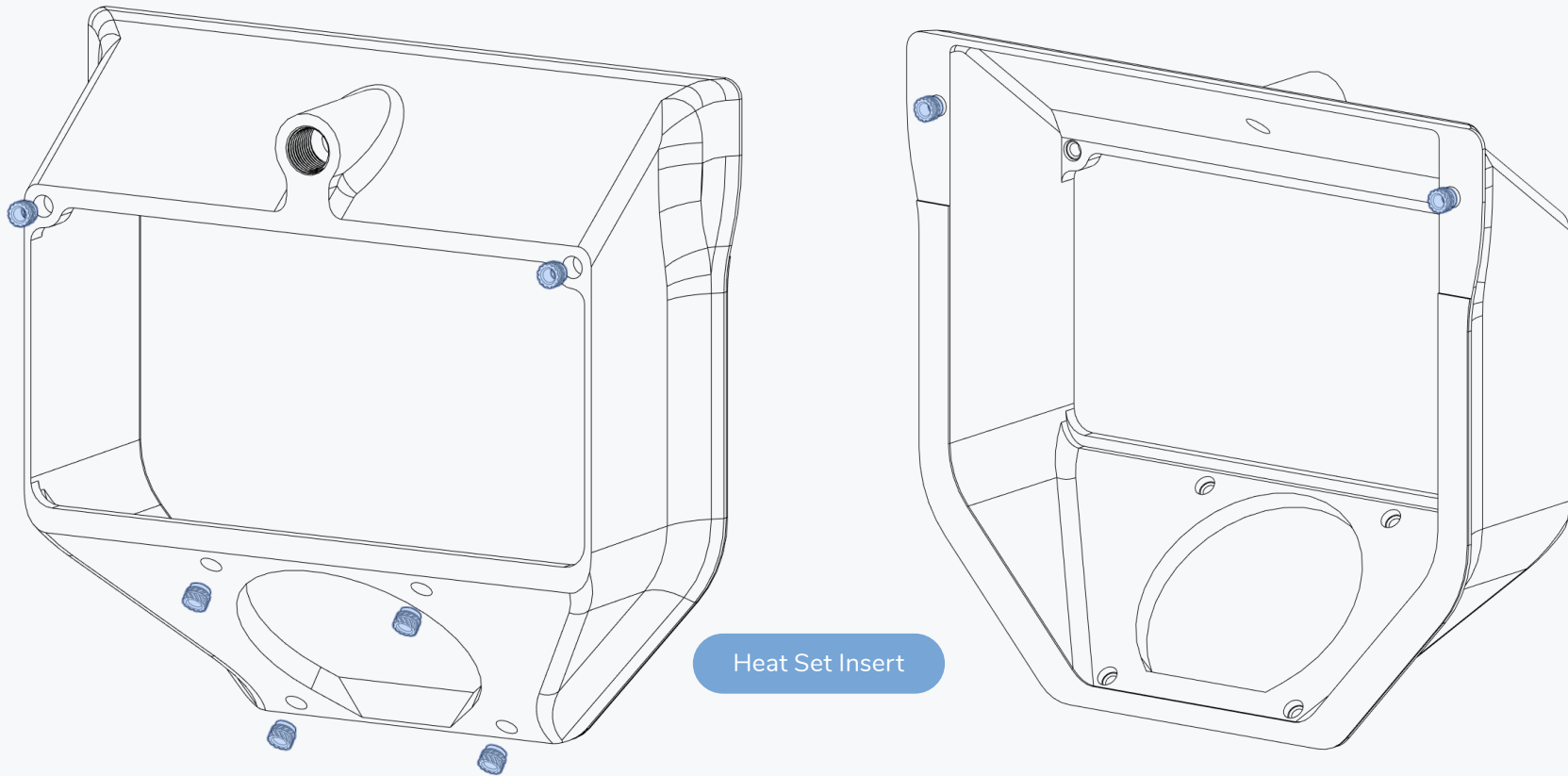
VHB Tape is a double sided adhesive tape.

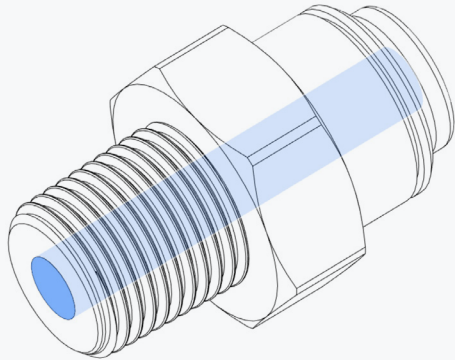


DOORS

WWW.VORONDESIGN.COM



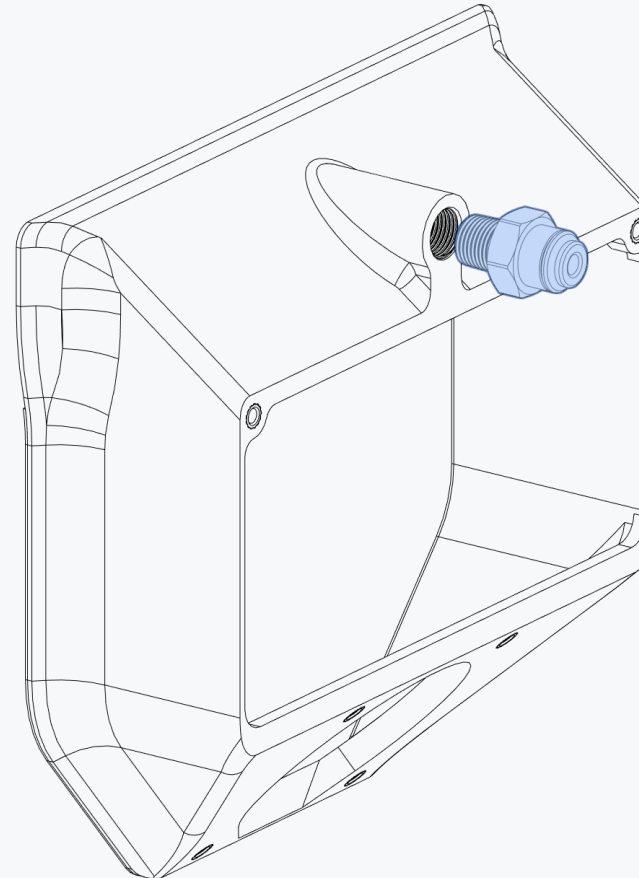
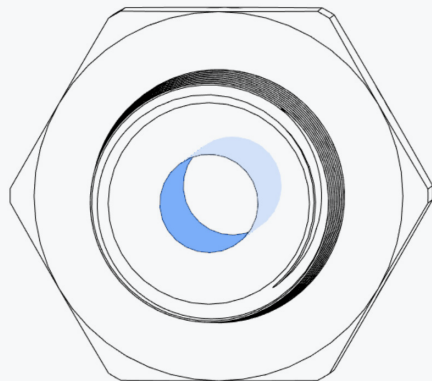




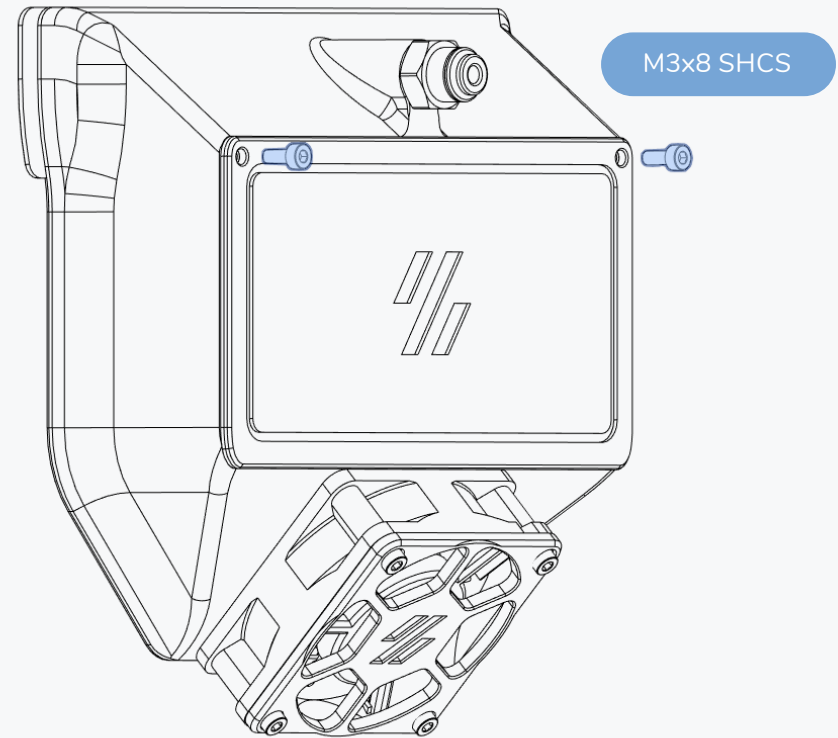
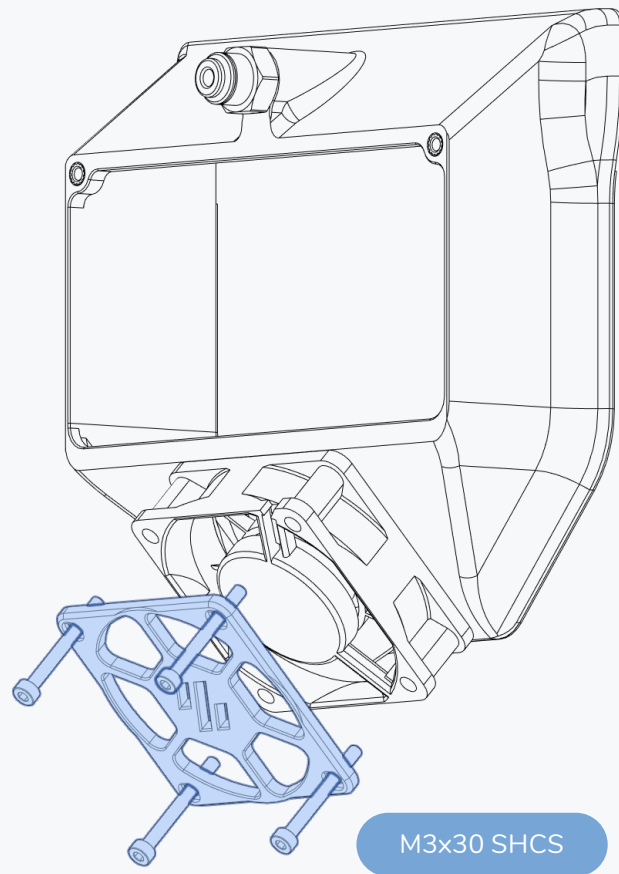
BSPP ADAPTER

Some adapters have a small lip that prevents the PTFE tube from passing through.

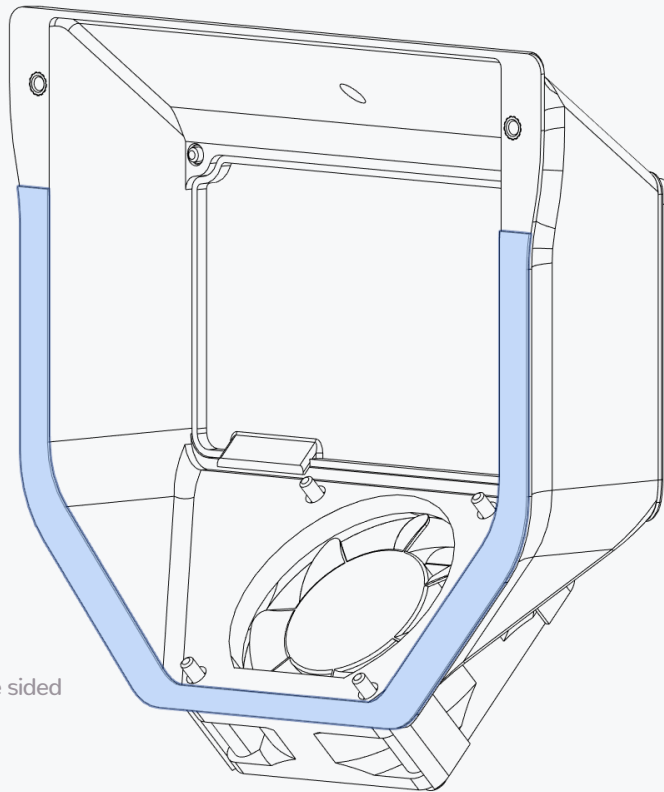
Inspect the adapter and if necessary use a drill to carefully remove the lip.



EXHAUST

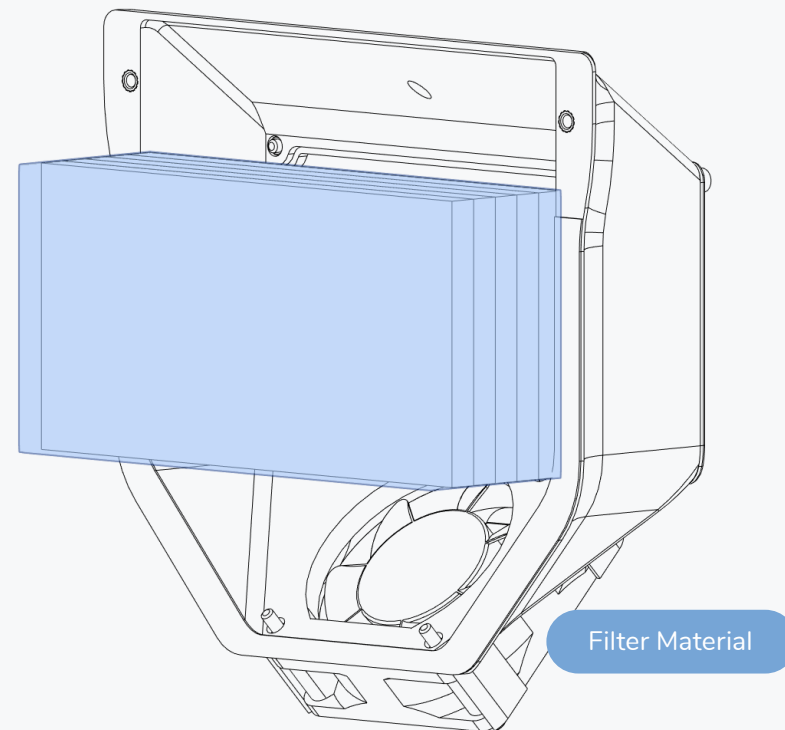


EXHAUST

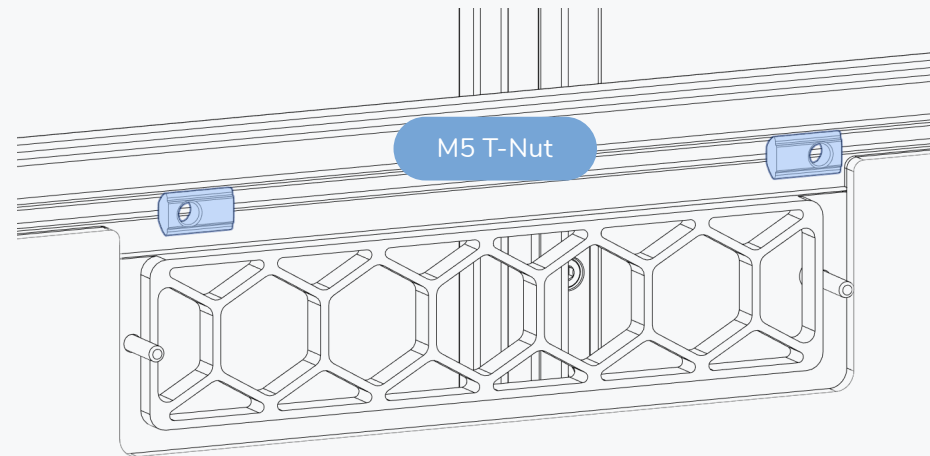
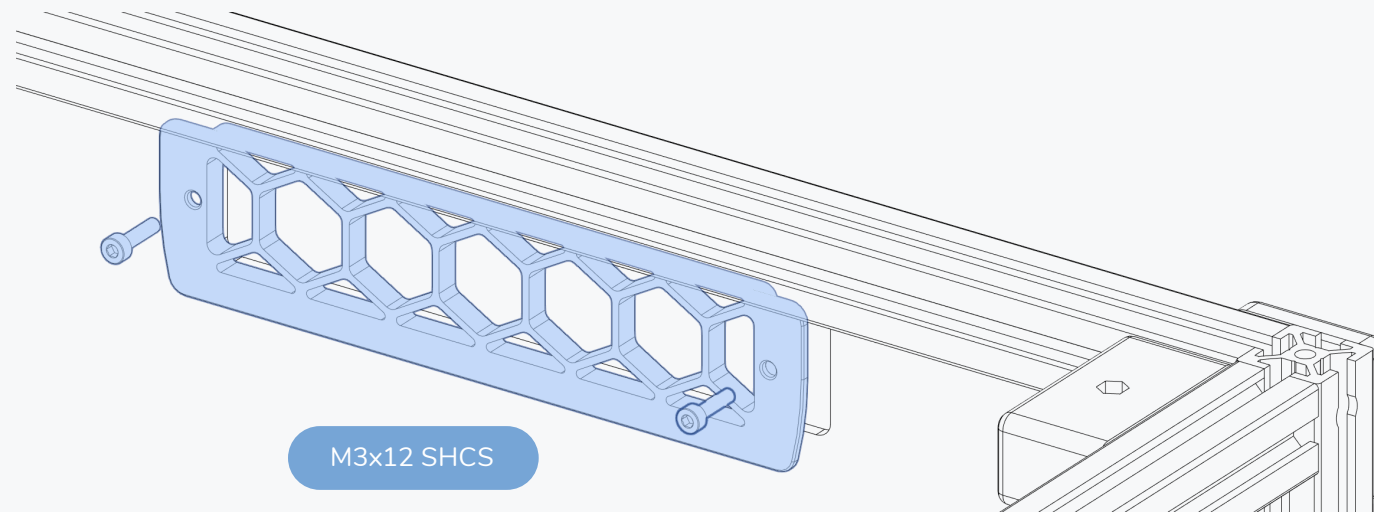


APPLY VHB TAPE

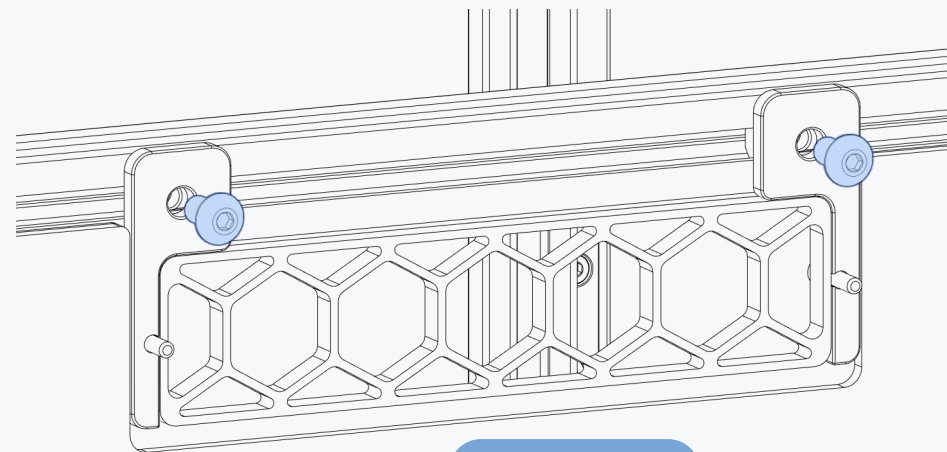
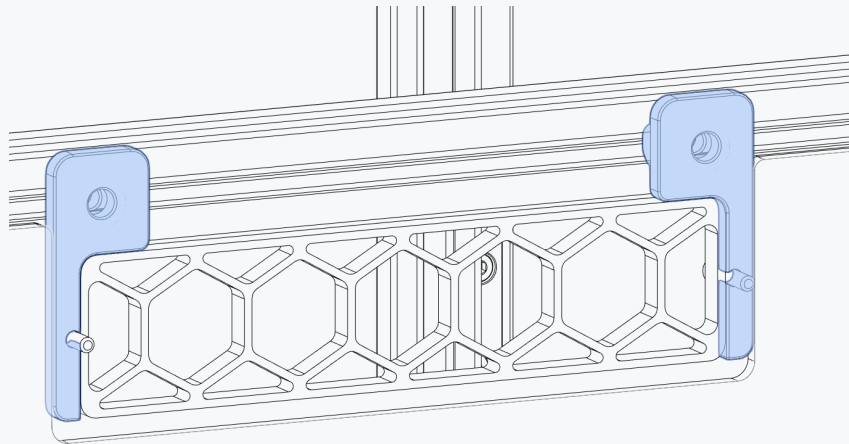
VHB Tape is a double sided adhesive tape.



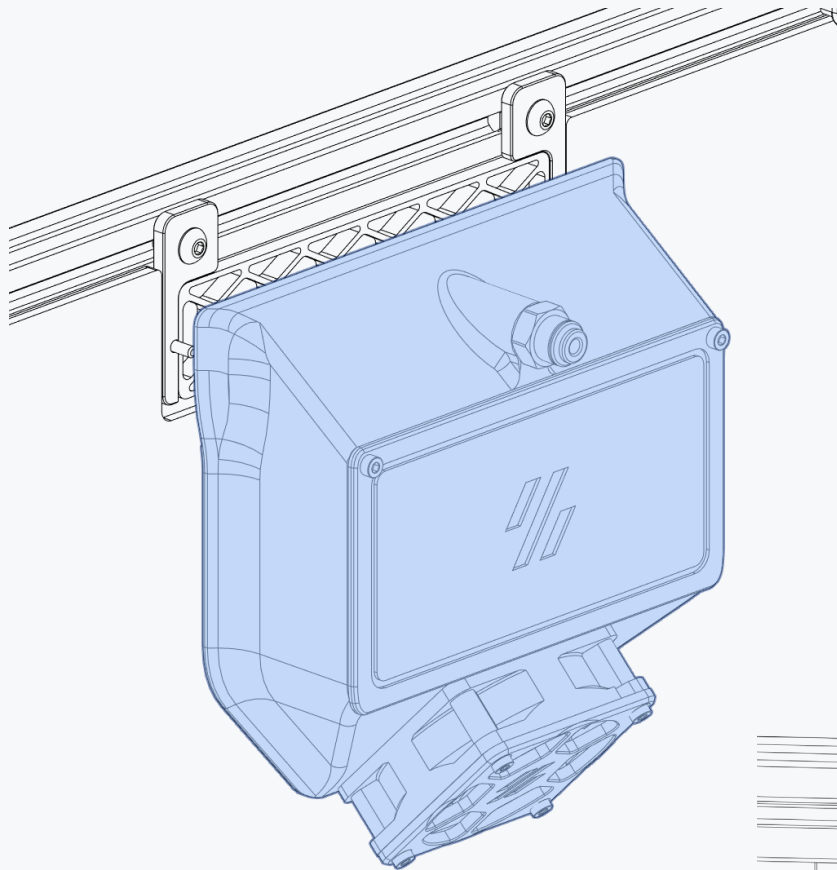
Filter Material



EXHAUST



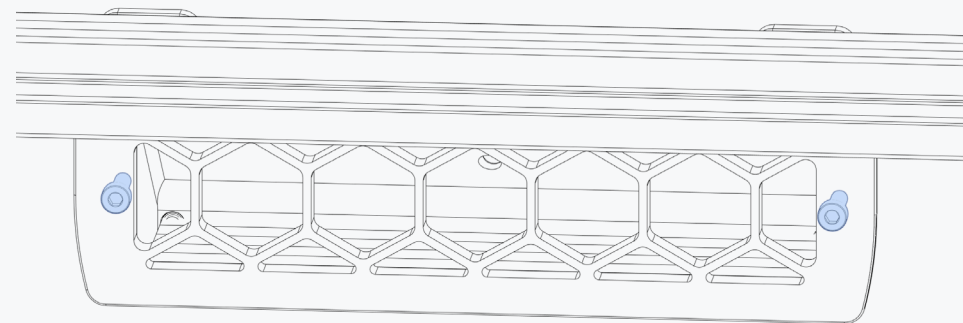
M5x10 BHCS



REMOVE TAPE BACKING

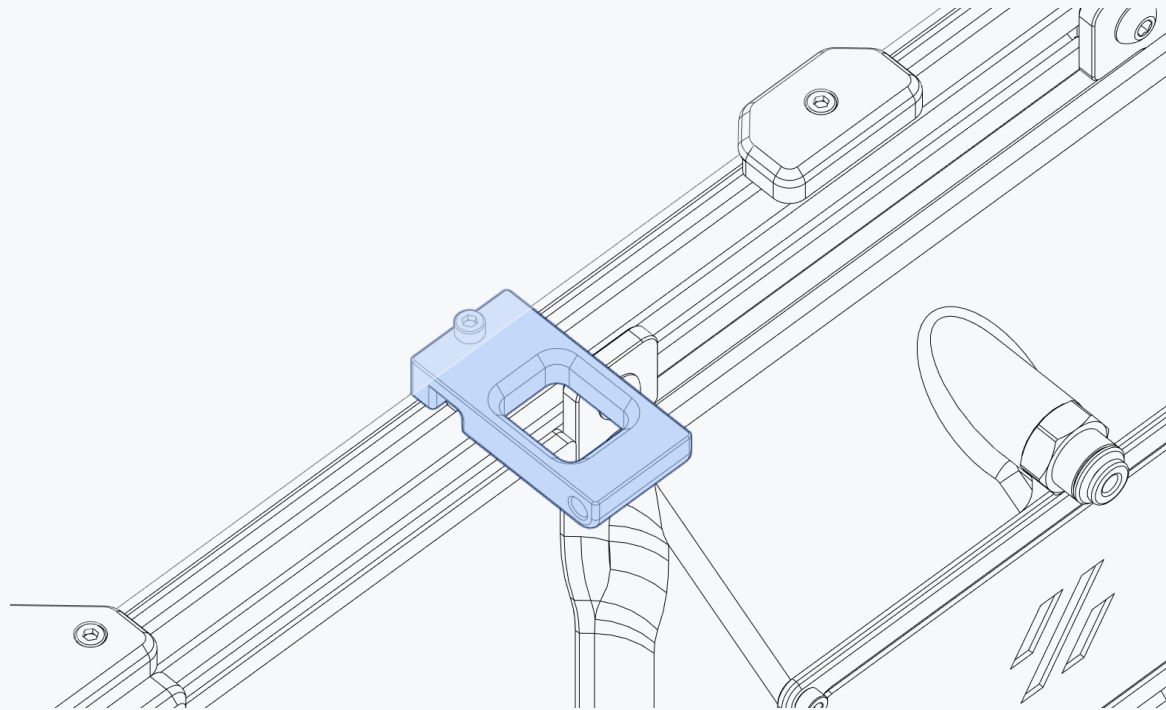
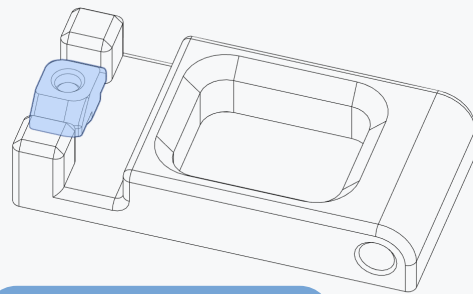
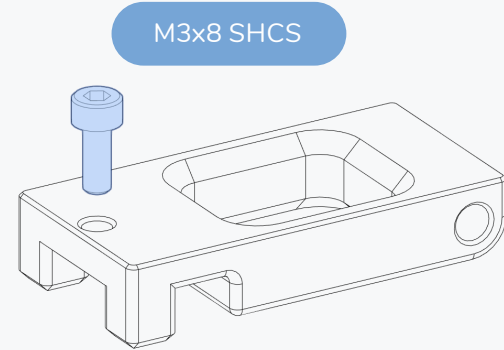
Attach the exhaust assembly to the back panel and secure it with the bolts on the other side of the exhaust grill.

TIGHTEN BOLTS

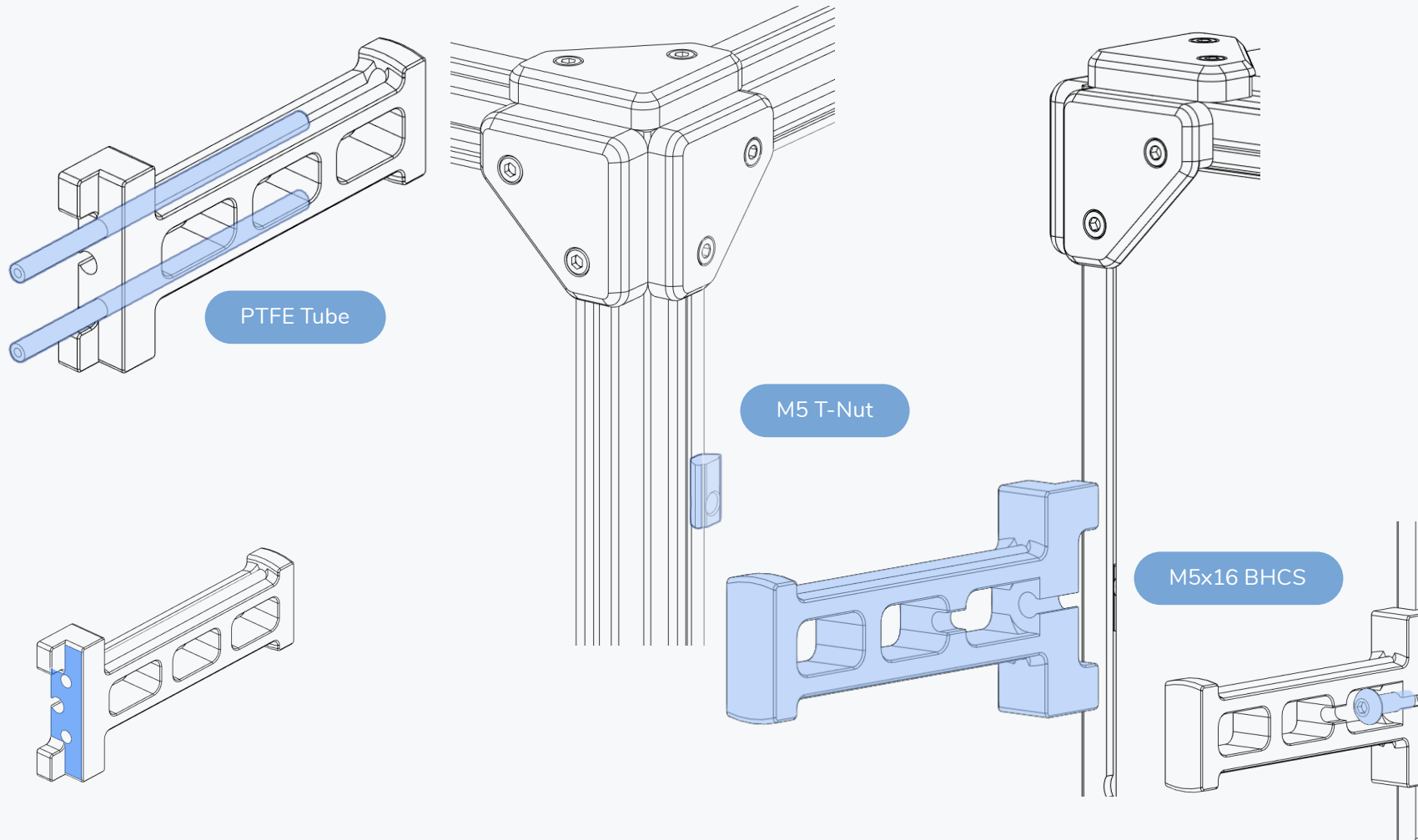


SPOOL HOLDER

WWW.VORONDESIGN.COM



SPOOL HOLDER



ASSEMBLY COMPLETED! ... NEXT STEP: SETUP & CALIBRATION

This manual is designed to be a reference manual for the build process of a Voron2 printer. Additional details about the build and background on advanced topics can be found on our documentation page linked below.

The software setup and other initial setup steps with your new printer can also be found on our documentation page. We recommend starting [here](#).



<https://docs.vorondesign.com/>



<https://github.com/VoronDesign/Voron-2>

HOW TO GET HELP

If you need assistance with your build, we're here to help. Head on over to our Discord group and post your questions. This is our primary medium to help VORON Users and we have a great community that can help you out if you get stuck. Alternatively, you can use our subreddit.



<https://discord.gg/voron>



<https://www.reddit.com/r/VORONDesign>

REPORTING ISSUES

Should you find an issue in this document or have a suggestion for an improvement please consider opening an issue on GitHub (<https://github.com/VoronDesign/Voron-2/issues>).

When raising an issue please include the relevant page numbers and a short description; annotated screenshots are also very welcome.

We periodically update the manual based on the feedback we get.

Enjoy your printer.



Website
www.vorondesign.com

Github
github.com/vorondesign

Docs
docs.vorondesign.com

Discord
discord.gg/voron



